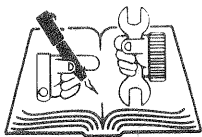


PARTS MANUAL

**TOWING WINCH
W8K P.C.**

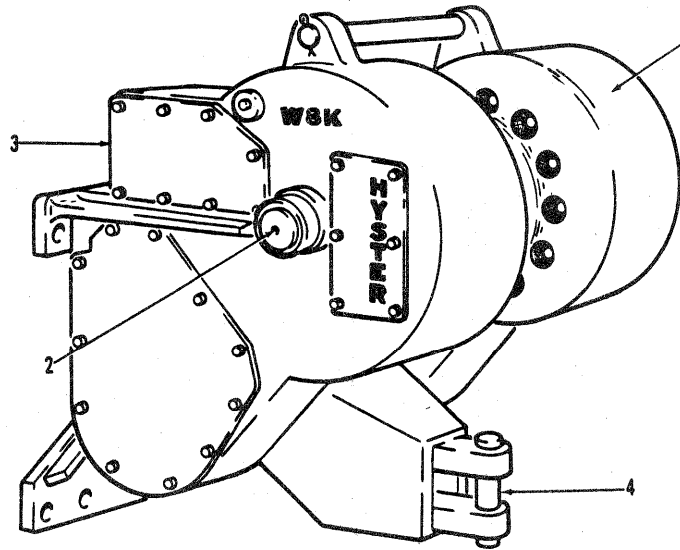


Hyster Easy Language Program

CUSTOMER EDITION

INTENTIONALLY LEFT BLANK

ILLUSTRATED INDEX



USED ON-	MAKE	MODEL	SERIAL NUMBER
	CATERPILLAR	D7	47A, 48A, 91V, 92V, 92E, 93N, 94N
	CATERPILLAR	572	65A, 96N
	FIAT-ALLIS	16-B	10301 UP
	INTERNATIONAL	TD-20C	25001 UP
	INTERNATIONAL	TD-20E	ALL SERIAL NUMBERS
	KOMATSU	D85A-12	ALL SERIAL NUMBERS
	TEREX	82-20	ALL SERIAL NUMBERS

REF	ITEM	PAGE
1	FRAMES, COVERS AND MOUNTING STUDS.....	1B02
2	GEAR TRAIN AND SHAFTS.....	1C02
3	BRAKE AND HYDRAULIC SYSTEM.....	1D02
4	OPTIONAL EQUIPMENT.....	1F02
5	NUMERICAL INDEX.....	602

ALPHABETICAL INDEX

ATTACHING PARTS.....	1B09	FRAMES AND COVERS.....	1B03
BEVEL GEAR SHAFT.....	1C04	HANDLING GEAR.....	1E02-1E04
BRAKE AND HYDRAULIC SYSTEM.....	1D03,1D05	HYDRAULIC CONTROL VALVE.....	1E01
BRAKE SHAFT.....	1C05	HYDRAULIC HOSES.....	1C09
CABLE GUIDE ROLLERS.....	1F03	HYDRAULIC PUMP.....	1D12-1D14
CABLE LOCKS.....	1C07	INTERMEDIATE GEAR SHAFT.....	1C04
CHECK VALVE.....	1D04	MOUNTING STUDS.....	1B05-1B08
CLUTCH.....	1C05	OIL BRAKE.....	1C06
DRUM SHAFT.....	1C07	POWER TAKE-OFF.....	1C03
DUMP VALVE.....	1D04	PUMP DRIVE AND HOSES.....	1D08-1D11
FAIRLEAD.....	1F03	SWIVELING BAR.....	1F04
FILTER AND HOSES.....	1D06-1D07	TRACTOR ALTERATIONS.....	1B08

UNIT IDENTIFICATION

HYSTER WINCH SERIAL NUMBER NAMEPLATE DATA FOR TRACTOR AND SKIDDER MOUNTINGS

Example: W8L P 3 F 1555 C52
 (1) (2) (3) (4) (5) (6)
 Winch Model Drive Gear Ratio Options Sequence No. Tractor

(1) Winch Models W5A, W6F, W8L and W12E

(2) Type Drive P - Power Controlled
 X - Direct Drive (Gear Drive)

(3) Gear Ratios
 *Indicates
 standard gear
 ratio for each
 mounting.

Code	W5A	W6F	W8L	W12E
1	24.4	45.1	49.8	46.1
2	25.2	56.4	71.6	
3	28.4	64.9		60.4
4	32.3	81.0		83.6
5	45.4			

*W5A gear ratio - applies to winch and
 auxiliary gear drive if required.*

*W6F, W8L & W12E gear ratio - applies
 to winch only.*

(4) Internal Options F - Freespool
 N - Non-Freespool
 A - Power forward only with freespool (PFO)
 B - Power forward and reverse with freespool (PFR)

(5) Sequence Number

(6) Tractor or Skidder - Make, Model and starting tractor serial number where applicable

WINCH MODEL	CODE	TRACTOR MAKE, MODEL AND STARTING TRACTOR S/N WHERE APPLICABLE										
		A	C	D	E	F	G	H	K	R	T	M
		FIAT- ALLIS	CAT	TIMBER- JACK	JOHN DEERE	FMC	TEREX	IHC	KOMATSU	CASE	CAN- CAR	MF
W5A	31	8, FL9 *4	D3, 931 *4	550 *1		200 *2		175 *4	D45 *5	1150B *4	C8B *3	
	32	10B *4 FL10B	D4PS *2 83J 3553									
	33		528 *6									
	34											
	35											
W6F	41	11B *1	D5 PS *1 95J, 96J		750 *4 755			TD15C PS 501 *3	D60A-6 *2	1450 *5		D600C *1
	42	*1	D5 DD (1) *1					TD15C DD 501 *3	D65A-6 *1			
	43	12G *1	D6 PS *1 10K, 76A		850 *1			250 *3				
	44	14B FL14B *1	D6 DD *1 74A, 99J		855 *1							
	45	*2	977 *1 46H, 11K									
W8L	51	16B PS 10301 *1	D7 PS (2) *1				82-20 *1	TD20E PS *1	D80A-12 *2			D700C *1
	52	16B DD 10301 *2	D7 DD (3) *2						D85A-12 *1			
	53	20 PS *2	572 *2 40U									
	54	20 DD *2	983 *2 38K									
	55											
W12E	61	21-C *3	D8 PS *1 77V, 66V				82-30B *3	TD25C PS *3	D155A-1 *3			
	62		D9 PS *1 90V				82-50 *3					
	63		583 *1 78V, 61A									
	64		594 *1 96V, 62H									
	65											

NOTES: (1) Cat D5 S/N 81H, 82H, 93J & 94J.
 (2) Cat D7 PS S/N 92V, 93E1752 Up, 94N5660 up, 65V
 (3) Cat D7 DD S/N 91V, 93N, 64V, 45W

HYSTER COMPANY
 PARTS OPERATIONS
 Danville, Illinois 61832

How To Use The Illustrated Parts Manual

This Parts Book describes and illustrates assemblies, sub-assemblies and detail parts needed for service replacement.

1 → ILLUSTRATED INDEX

2 → HANDLING GEAR
FIRST USED ON SERIAL NO. 1499-1620

3 → REF. HYSTER NAME OF PART

NO.	HYSTER	NAME OF PART	QTY.	REF.	HYSTER	NAME OF PART	QTY.
1	1800A	MAINT. KIT	1	14	10245	DRUM	1
2	17734	MAINT. KIT	1	15	10253	DRUM	1
3	17736	MAINT. KIT	1	16	10259	DRUM	1
4	17737	MAINT. KIT	1	17	10260	DRUM	1
5	17738	MAINT. KIT	1	18	10261	DRUM	1
6	17739	MAINT. KIT	1	19	10262	DRUM	1
7	17740	MAINT. KIT	1	20	10263	DRUM	1
8	17741	MAINT. KIT	1	21	10264	DRUM	1
9	17742	MAINT. KIT	1	22	10265	DRUM	1
10	17743	MAINT. KIT	1	23	10266	DRUM	1
11	17744	MAINT. KIT	1	24	10267	DRUM	1
12	17745	MAINT. KIT	1	25	10268	DRUM	1

4 → REF. HYSTER NAME OF PART

When The Part Number Is Not Known

1. USE: Determine the function and application of the part required. Go to the illustrated index page and select the most appropriate section. Use the section index to determine the assembly which would normally contain the part required. Proceed then to locate the part on the assembly breakdown page.

GENERAL: The assembly breakdowns include part numbers, description, quantities required, keys and footnotes to help in selecting the correct parts.

2. Keys are used to show effective serial numbers, two or more similar assemblies. Select the appropriate key, "A", "B", "C", or "D" and find the required part in the corresponding column.
3. Indent numbers are used to indicate assemblies and sub-parts of assemblies. Number 1 is the major assembly. Part descriptions which are indented under 2, 3, or 4 are sub-parts of that major assembly shown above.
4. Quantities shown are for one assembly as illustrated unless otherwise specified.

ORDERING PARTS:

When ordering replacement parts, give the winch serial number, model, part number, name of part and quantity required.

A128P
1802
001 16

FRAMES, COVERS AND MOUNTING STUDS

002 05

003 01

ATTACHING PARTS.....1809

004 01

FRAMES AND COVERS.....1803

005 01

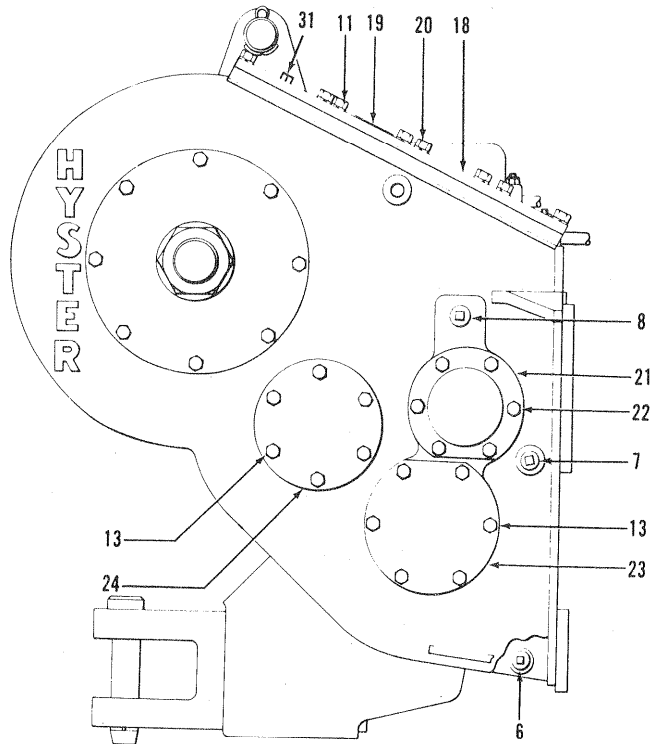
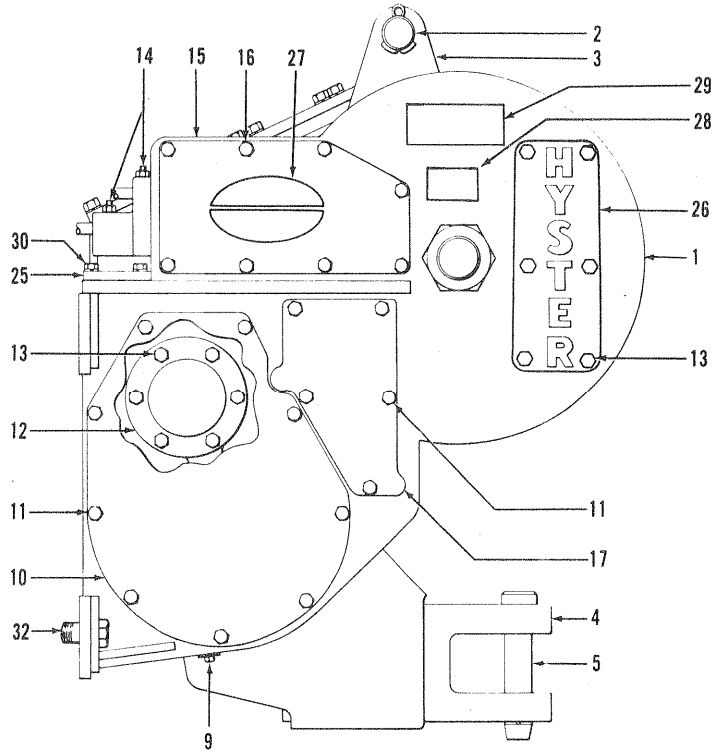
MOUNTING STUDS.....1805-1808

006 01

TRACTOR ALTERATIONS.....1808

USE HYSTER APPROVED PARTS... *it pays*

FRAMES AND COVERS



FRAMES AND COVERS

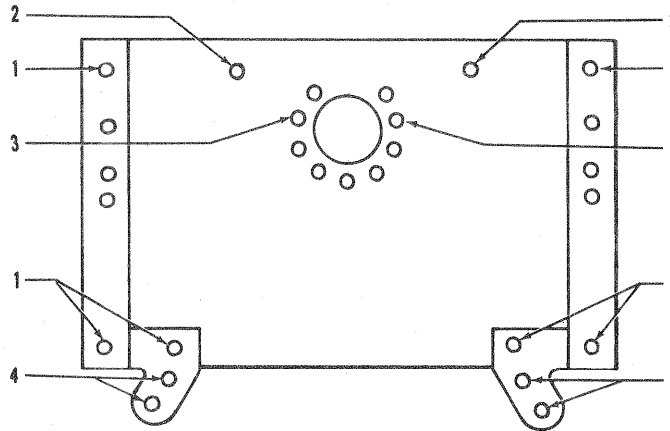
REF. NO.	HYSTER PART NO.	NAME OF PART				QTY.	REF. NO.	HYSTER PART NO.	NAME OF PART				QTY.
		1	2	3	4				1	2	3	4	
1	FRAME-WINCH				1	20	15306	PLUG				1
2	92606	ROD-TIE				1	21	96472	RETAINER-BEARING				1
2	# 196279	ROD-TIE				1	21	55289	O-RING				1
2	15272	PIN-COTTER, 3/8 X 3				2	21	134107	SHIM-.005				AR
3	173609	BRACKET-TIE ROD				2	21	134108	SHIM-.007				AR
3	# 196278	BRACKET-TIE ROD				2	21	134109	SHIM-.020				AR
4	15064	NUT-7/8 UNC				6	22	178402	CAPSCREW-HT, 1/2 UNC X 1-1/4				7
4	178020	BRACKET-RIGID DRAWBAR				1	22	222091	LOCKWASHER-1/2				7
4	178025	BRACKET-SWIVELING DRAWBAR				1	23	96433	RETAINER-BEARING				1
4	142736	BRACKET-R.H. SWINGING DRAWBAR				1	23	134081	SHIM-.005				AR
4	142735	BRACKET-L.H. SWINGING DRAWBAR				1	23	134082	SHIM-.007				AR
4	189496	SPACER-SWINGING DRAWBAR				2	23	134083	SHIM-.020				AR
4	189497	CAPSCREW-HT, 7/8 UNC X 9				6	24	92623	COVER				1
4	15164	LOCKWASHER-7/8				6	24	134074	SHIM-.005				AR
5	95959	PIN-RIGID & SWIVELING DRAWBAR				1	24	134075	SHIM-.007				AR
5	15273	COTTER-3/8 X 2-1/2, RIGID DRAW.				1	24	134076	SHIM-.020				AR
6	201814	PLUG-MAGNETIC, 3/4				1	25	COVER-TRANSMISSION, PAGE ID04-5				1
7	15304	PLUG-PIPE, 1-1/2				1	25	□ 142759	GASKET				1
9	35503	PLUG-MAGNETIC, 3/4				1	25	*\$ 253812	GASKET				1
10	96423	COVER-BRAKE				1	26	186459	COVER-FILTER				1
10	@ 196024	COVER-BRAKE				1	26	186460	GASKET				1
10	** 253034	COVER-BRAKE				1	27	178106	DECAL-OIL BRAKE				1
10	* 96424	GASKET				1	28	198873	DECAL-MODEL				2
10	@* 196023	GASKET				1	29	187189	DECAL-FILTER SERVICE				1
11	178403	CAPSCREW-HT, 1/2 UNC X 1				25	30	178402	CAPSCREW-1/2 UNC X 1-1/4 G5				10
11	222091	LOCKWASHER-1/2				25	30	222091	WASHER-1/2				10
12	196379	CARRIER-BRG., BEVEL GEAR SHAFT				1	31	21420	PLUG-BREATHER				1
12	133913	SHIM-.005				AR	32	244437	CAPSCREW-1 1/2 UNC X 3-1/4				2
12	133914	SHIM-.007				AR	32	15170	WASHER-1 1/2				2
12	133915	SHIM-.020				AR							
13	178402	CAPSCREW-1/2 UNC X 1-1/4				6			*INCLUDED IN GASKET KIT 168729.				
13	15158	LOCKWASHER-1/2				6			#FIRST USED ON SERIAL NO. E77P-2184 AND F47P-2155.				
15	164691	COVER				1			@FIRST USED ON SERIAL NO. E77P-2344 AND F47P-2174.				
15	* 164708	GASKET				1			□LAST USED ON SERIAL NO. A128P-1582, A130P-1590, A139P-1665, A148P-1516, A155P-1501, E77P-3015.				
16	179443	CAPSCREW-3/8 UNC X 7/8				8			\$FIRST USED ON SERIAL NO. A128P-1583, A130P-1591, A139P-1666, A148P-1517, A155P-1502, E77P-3016.				
16	222087	LOCKWASHER				8			**FOR TRACTOR MODEL 82-20 ONLY.				
17	96425	COVER				1							
17	* 96426	GASKET				1							
18	142760	COVER-TOP R.H.				1							
18	# 192956	COVER-TOP R.H.				1							
18	* 142761	GASKET				1							
19	15319	PLUG-PIPE, 1-1/2				1							

HYSTER COMPANY

PARTS OPERATIONS
Danville, Illinois 61832

MOUNTING STUDS

FOR TRACTOR MODEL HD-168, LAST USED ON WINCH SERIAL NO. A128P-1509



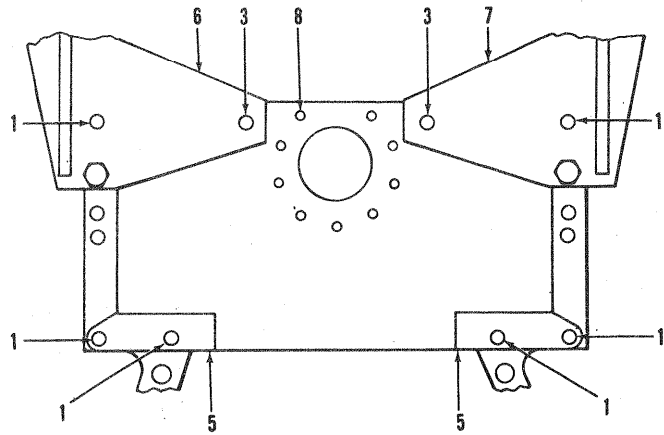
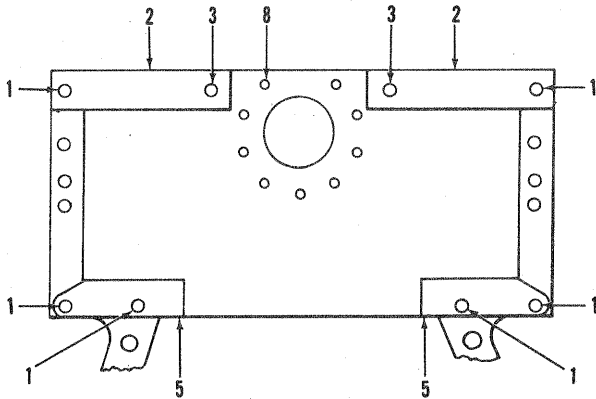
REF. NO.	HYSTER PART NO.	NAME OF PART	QTY.	REF. NO.	HYSTER PART NO.	NAME OF PART	QTY.
1	* 93347	STUD	6	2	15240	COTTER-5/32 X 2-1/2	2
1	15018	NUT-1 1/4 UNF	6	3	192949	PLUG	9
1	15168	LOCKWASHER-1 1/4	6	4	18849	PLUG	4
2	* 192947	STUD-DRILLED	2	*REQUIRES LOCTITE KIT NO. 230064.			
2	55434	O-RING	2				
2	134821	NUT-SLOTTED JAM	2				

MOUNTING STUDS

FOR TRACTOR MODEL HD-168, FIRST USED ON WINCH SERIAL NO. A127P-1501 AND A128P-1510

WITHOUT ROLL OVER PROTECTION

WITH ROLL OVER PROTECTION



REF. NO.	HYSTER PART NO.	NAME OF PART	QTY.
1	□ 216224	STUD	6
1	223453	SHIM-.020	AR
1	15018	NUT-HEX 1 1/4 UNF	6
1	15168	LOCKWASHER-1 1/4	6
2	216226	PLATE	2
3	□ 216225	STUD-DRILLED	2
3	55434	O-RING	2
3	223453	SHIM-.020	AR
3	134821	NUT-SLOTTED JAM	2

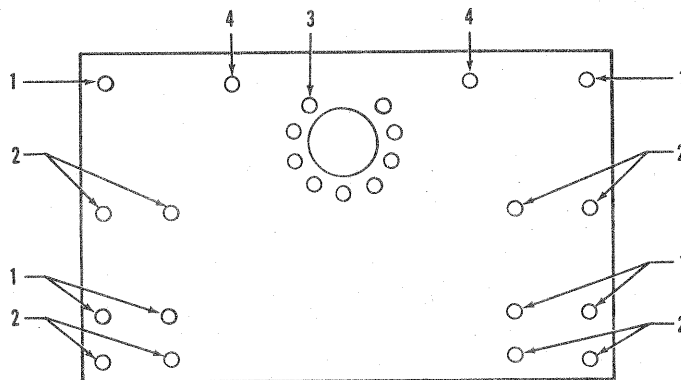
REF. NO.	HYSTER PART NO.	NAME OF PART	QTY.
3	15240	COTTER-5/32 X 2-1/2	2
5	216227	PLATE	2
6	*	BRACKET-LH, COMES WITH TRACTOR	1
7	*	BRACKET-RH, COMES WITH TRACTOR	1
8	192949	PLUG	9
*FOR ROLL OVER PROTECTION EQUIPMENT.			
*REQUIRES LOCTITE KIT NO. 230064.			

HYSTER COMPANY

PARTS OPERATIONS
Danville, Illinois 61832

MOUNTING STUDS

FOR TRACTOR MODELS TD-20C & TD-20E.

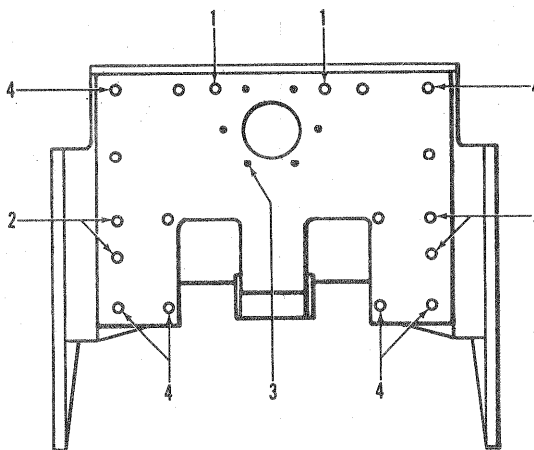


REF. NO.	HYSTER PART NO.	NAME OF PART	QTY.	REF. NO.	HYSTER PART NO.	NAME OF PART	QTY.
		1 2 3 4				1 2 3 4	
1	* 192948	STUD	6	4	15240	COTTER-5/32 X 2 1/2	2
1	15168	LOCKWASHER-1 1/4	6	4	# 198929	STUD	2
1	15018	NUT-1 1/4 UNF	6	4	# 253817	STUD	2
2	156879	PLUG-CORK	8				
3	192949	PLUG-CORK	9				
4	55434	O-RING	2				
4	134821	NUT-SLOTTED, 1 1/4 UNF	2				

*REQUIRES LOCTITE KIT NO. 230064.
 #USED ONLY ON TRACTOR MODEL TD-20C.
 #USED ONLY ON TRACTOR MODEL TD-20E.

MOUNTING STUDS

FOR TRACTOR MODEL D85A AND D.D.



REF. NO.	HYSTER PART NO.	NAME OF PART	QTY.	REF. NO.	HYSTER PART NO.	NAME OF PART	QTY.
		1 2 3 4				1 2 3 4	
1	* 213034	STUD	2	4	* 213035	STUD	6
1	15240	COTTER-5/32 X 2 1/2	2	4	15018	NUT-1 1/4 UNF	6
1	55434	O-RING	2	4	15168	LOCKWASHER-1 1/4	6
1	134821	NUT-SLOTTED-1 1/4 UNF	2				
2	156879	PLUG-CORK	4				
3	18004	PLUG-CORK	6				

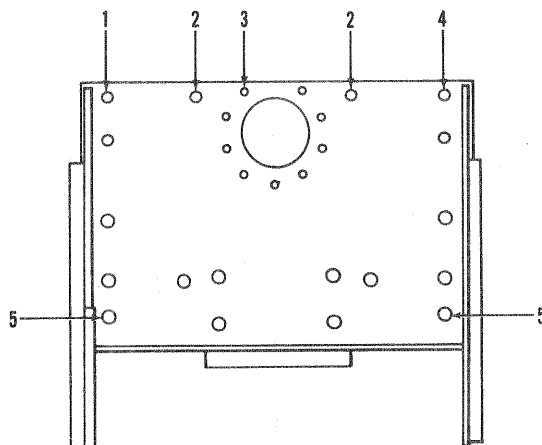
*REQUIRES LOCTITE KIT NO. 230064.

HYSTER COMPANY

PARTS OPERATIONS
 Danville, Illinois 61832

MOUNTING STUDS

FOR TRACTOR MODEL 82-20



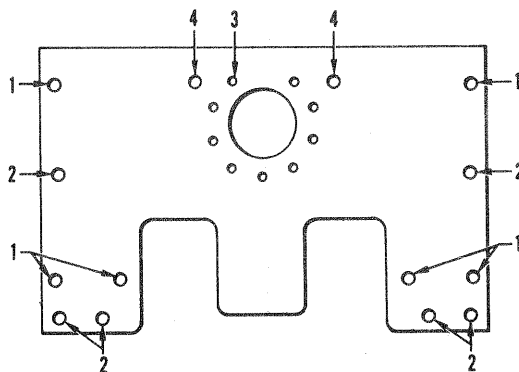
REF. NO.	HYSTER PART NO.	NAME OF PART	QTY.
		1 2 3 4	
1	* 253031	STUD	2
1	221725	NUT-1 1/4 UNF	2
2	* 198929	STUD	2
2	55434	O-RING	2
2	134821	NUT-SLOTTED, 1-1/4 UNC	2
2	15420	PIN-5/32 X 2-1/2	2
3	18000	PLUG-CORK	9

REF. NO.	HYSTER PART NO.	NAME OF PART	QTY.
		1 2 3 4	
4	* 253031	STUD	1
4	221725	NUT-1 1/4 UNF	1
4	55434	O-RING	1
5	244437	CAPSCREW-1 1/2 UNC X 3-1/4	2
5	15170	LOCKWASHER-1 1/2	2

*REQUIRES LOCTITE KIT NO. 230064.

MOUNTING STUDS

FOR D7 TRACTOR SERIAL NO. 47A1 & UP, 48A1 & UP, 93N1 & UP, 94N1 & UP
AND 572E PIPELAYER SERIAL NO. 65A1 & UP



REF. NO.	HYSTER PART NO.	NAME OF PART	QTY.
		1 2 3 4	
1	95837	STUD-1 1/4 UNF X 4 11/16	6
1	15168	LOCKWASHER-1 1/4	6
1	15018	NUT-1 1/4 UNF	6
2	18001	PLUG-CORK, #17	6
3	18000	PLUG-CORK, #5	9

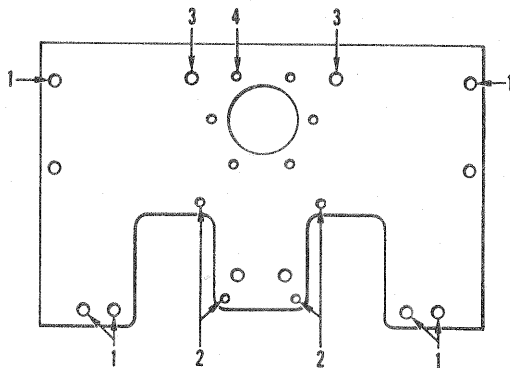
REF. NO.	HYSTER PART NO.	NAME OF PART	QTY.
		1 2 3 4	
4	95835	STUD-1 1/4 UNF X 3 13/16	2
4	55434	O-RING	2
4	134821	NUT-SLOTTED, 1 1/4 UNF	2
4	15240	COTTER-5/32 X 2 1/2	2

HYSTER COMPANY

PARTS OPERATIONS
Danville, Illinois 61832

MOUNTING STUDS

FOR 977 TRAXCAVATOR SERIAL NO. 53A1 & UP

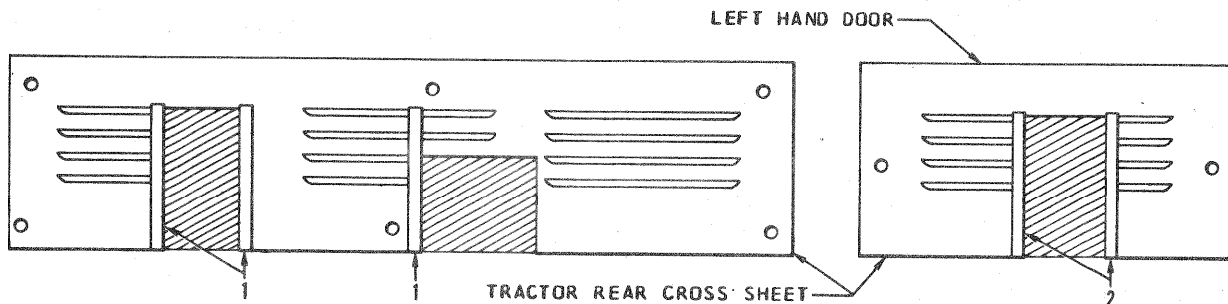


REF. NO.	HYSTER PART NO.	NAME OF PART	QTY.
1	133179	STUD-1 UNS X 4	6
1	15166	LOCKWASHER-1	6
1	15016	NUT-1 UNS	6
2	18005	PLUG-CORK, #11	4

REF. NO.	HYSTER PART NO.	NAME OF PART	QTY.
3	36240	STUD-1 1/4 UNF X 4 3/4	2
3	15168	LOCKWASHER-1 1/4	2
3	15018	NUT-1 1/4 UNF	2
4	18004	PLUG-CORK, #7	6

TRACTOR ALTERATIONS

FOR D7 TRACTOR & 572E PIPELAYER



KEY

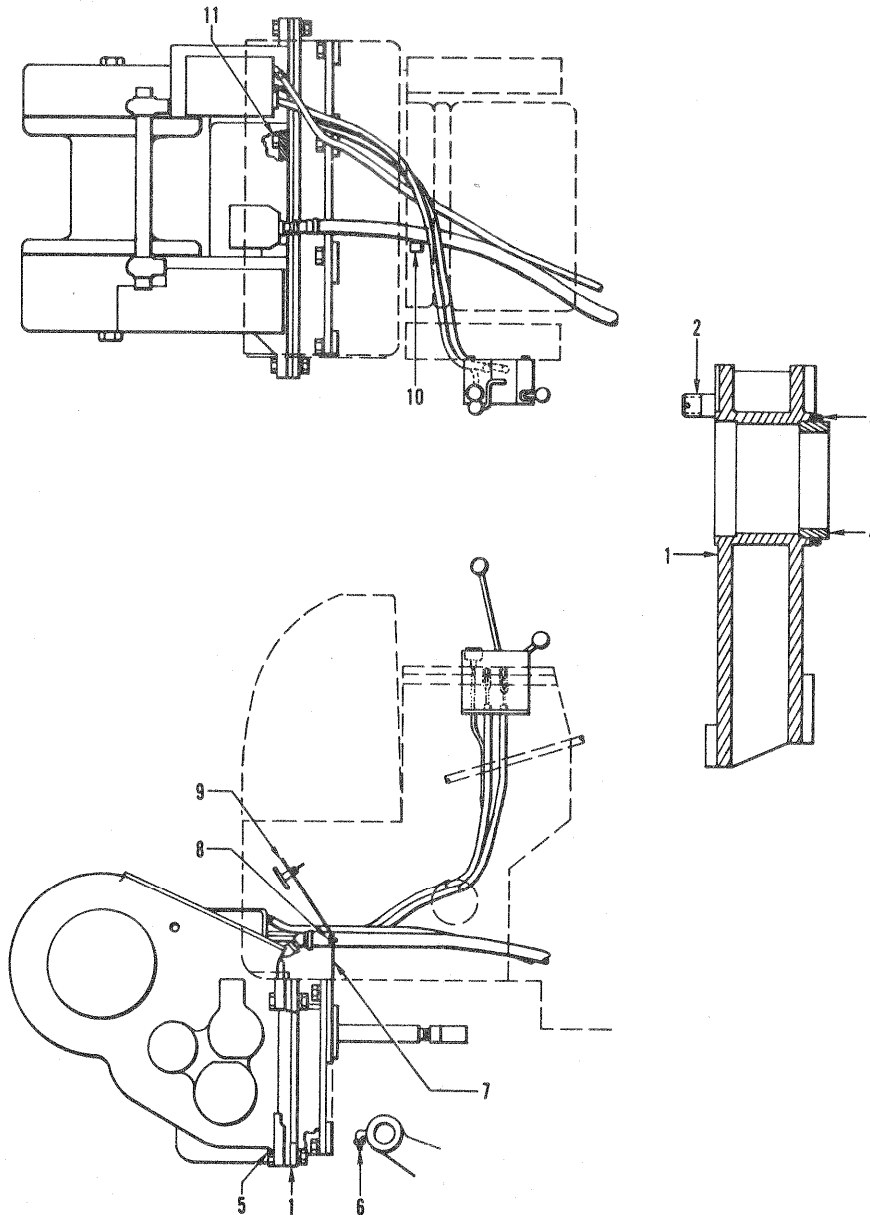
A-FOR TRACTOR SERIAL NO. 47A2081-47A3395 & 48A3471-48A6392.
 B-FOR TRACTOR SERIAL NO. 47A3396 & UP, 48A6393 & UP, 93N1 & UP, AND 572E PIPELAYER SERIAL NO. 65A1 & UP.

REF. NO.	HYSTER PART NO.	NAME OF PART	QTY.	
			A	B
1	165493	STRIP	3	..

REF. NO.	HYSTER PART NO.	NAME OF PART	QTY.	
			A	B
2	165493	STRIP	..	2

ATTACHING PARTS

FOR 977 TRAXCAVATOR SERIAL NO. 53A1 & UP



REF. NO.	HYSTER PART NO.	NAME OF PART	QTY.	REF. NO.	HYSTER PART NO.	NAME OF PART	QTY.
1	143056	ADAPTER-WINCH MOUNTING	1	8	18202	CAPSCREW-3/8 UNF X 1 1/4	2
2	132922	STUD-1 1/4 UNF X 3 1/4	2	8	15156	LOCKWASHER-3/8	2
3	134118	O-RING	2	8	15006	NUT-3/8 UNF	2
4	132921	RING	1	9	132924	COVER ASSEMBLY-REAR	1
5	133529	CAPSCREW-HT, 1 1/4 UNF X 4 1/2	6	10	132931	BRACKET	1
5	15168	LOCKWASHER-1 1/4	6	11	55434	O-RING	2
5	15018	NUT-1 1/4 UNF	6	11	134821	NUT-SLOTTED, 1 1/4 UNF	2
6	15451	ELBOW-STREET, 1/4	2	11	15240	COTTER-5/32 X 2 1/2	2
7	132927	COVER-LOWER REAR	1				

HYSTER COMPANY
PARTS OPERATIONS
Danville, Illinois 61832

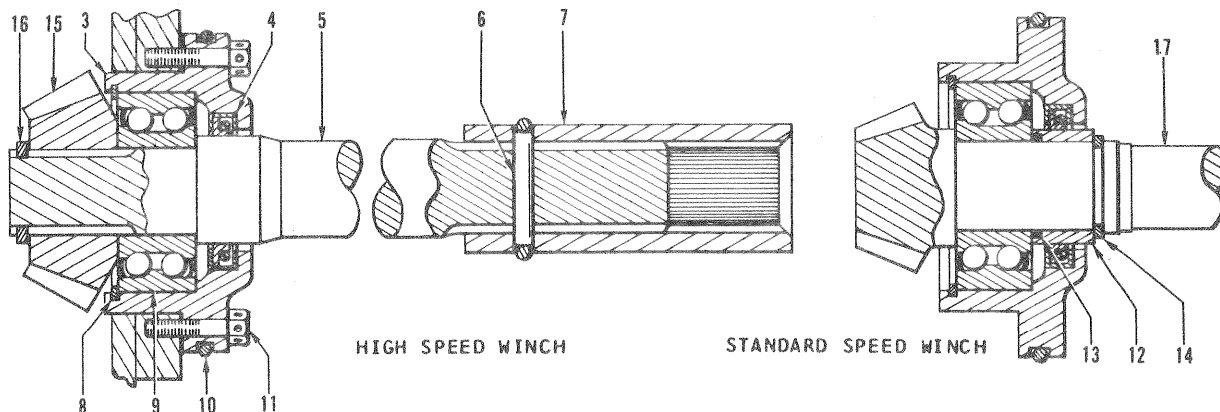
002 05

GEAR TRAIN AND SHAFTS

003 01	BEVEL GEAR SHAFT.....	1C04
004 01	BRAKE SHAFT.....	1C05
005 01	CABLE LOCKS.....	1C07
006 01	CLUTCH.....	1C05
007 01	DRUM SHAFT.....	1C07
008 01	INTERMEDIATE GEAR SHAFT.....	1C04
009 01	OIL BRAKE.....	1C06
010 01	POWER TAKE-OFF.....	1C03

USE HYSTER APPROVED PARTS... *it pays*

POWER TAKE-OFF



HIGH SPEED WINCH

STANDARD SPEED WINCH

KEY

- A-FOR TRACTOR MODEL HD-16B
- B-FOR TRACTOR MODEL TD-20C & TD-20E.
- C-FOR TRACTOR MODEL D85A
- D-FOR TRACTOR MODEL 82-20

PARTS SERVICE GRAM	
Item	Gram
5, 15, 16	A1-A-13

REF. NO.	HYSTER PART NO.	NAME OF PART	QTY.			
			1	2	3	4
3	98362	CARRIER-BEARING	..	1	1	1
3	216222	CARRIER-BEARING	1
3	134078	SHIM-.005	AR	AR	AR	AR
3	134079	SHIM-.007	AR	AR	AR	AR
4	79389	SEAL-OIL	1	1	1	1
5	253797	SHAFT-PTO	1
5	186626	SHAFT-PTO	..	1
5	* 255106	SHAFT-PTO	..	1
5	213032	SHAFT-PTO	1	..
5	253030	SHAFT-PTO	1
6	33786	PIN	..	1
6	213139	PIN	1	..	1	..
6	9528	RING-LOCK	..	1
6	54112	RING-LOCK	1	..	1	..

REF. NO.	HYSTER PART NO.	NAME OF PART	QTY.			
			1	2	3	4
7	138994	COUPLING	..	1
7	213138	COUPLING	1	..	1	..
8	35573	RING-SNAP	1	1	1	1
9	125399	BEARING-BALL	1	1	1	1
10	109453	O-RING	1	1	1	1
11	169671	CAPSCREW-DRILLED	6	6	6	6
11	67355	LOCKWIRE	1	1	1	1
12	96524	SPACER	1	1	1	1
13	133898	ORING	..	1	1	1
14	12944	RING-SNAP	1	1	1	1
15	96020	GEAR-BEVELED PTO	1	..	1	..
16	12916	RING-SNAP	1	..	1	..

*FOR TRACTOR MODEL TD-20E ONLY.

PARTS SERVICE GRAM	
Item	Gram
5, 6, 7	A1-B-5

KEY

- A-FOR D7 TRACTOR SERIAL NO. 47A1 & UP AND 93N1 & UP.
- C-FOR D7 TRACTOR SERIAL NO. 48A1 & UP, 94N1 & UP AND 572E PIPELAYER SERIAL NO. 65A1 & UP.
- C-FOR 977 TRAXCAVATOR SERIAL NO. 53A1 & UP.

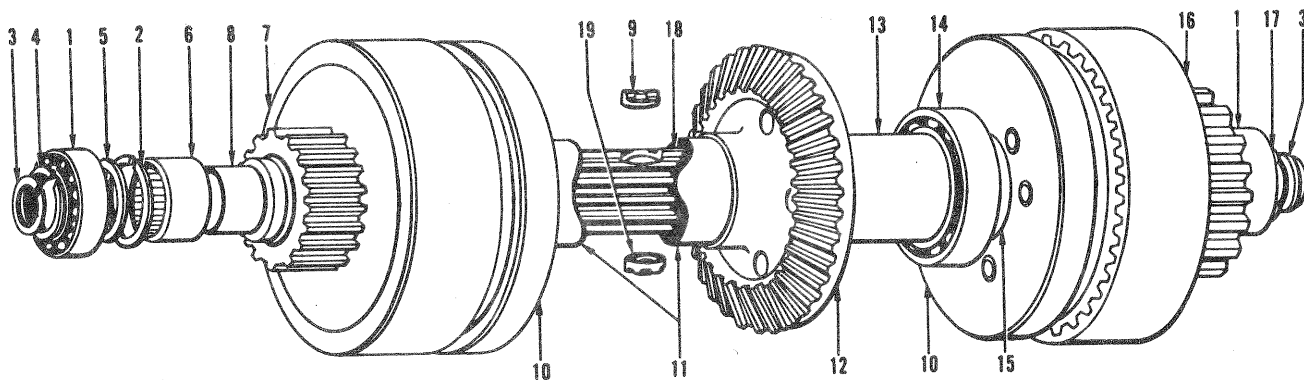
REF. NO.	HYSTER PART NO.	NAME OF PART	QTY.		
			A	B	C
3	98362	CARRIER-BEARING	1	1	1
3	134078	SHIM-.005	AR	AR	AR
3	134079	SHIM-.007	AR	AR	AR
4	79389	SEAL-OIL	1	1	1
5	96367	SHAFT-P.T.O.	1
5	96451	SHAFT-P.T.O.	..	1	..
5	132909	SHAFT-P.T.O.	1
6	33786	PIN	1	1	..
6	9563	PIN	1
6	9528	RING-LOCK	1	1	..
6	9554	RING-LOCK	1
7	33785	COUPLING	1	1	..
7	97553	COUPLING	1
7	13987	FITTING-LUBE, 60 DEGREE	2	2	..

REF. NO.	HYSTER PART NO.	NAME OF PART	QTY.		
			A	B	C
8	35573	SNAP RING	1	1	1
9	125399	BEARING-BALL	1	1	1
10	109453	O-RING	1	1	1
11	169671	CAPSCREW-DRILLED HEAD	6	6	6
11	67355	LOCKWIRE	1	1	1
12	96524	SPACER	1	1	1
13	133898	O-RING	1	1	1
14	12944	SNAP RING	1	1	1
15	96020	GEAR-BEVEL, 23 TEETH	1	1	1
16	12916	RING-SNAP	1	1	1
17	96368	SHAFT-P.T.O.	1
17	96452	SHAFT-P.T.O.	..	1	..
17	132909	SHAFT-P.T.O.	1

HYSTER COMPANY

PARTS OPERATIONS
Danville, Illinois 61832

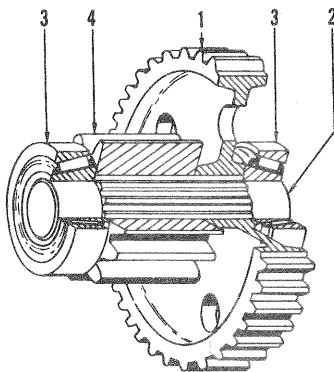
BEVEL GEAR SHAFT



KEY
 A-FOR TRACTOR MODELS HD-16B, D85A.
 B-FOR TRACTOR MODELS TD-20C, TD-20E, & 82-20.

REF. NO.	HYSTER PART NO.	NAME OF PART	QTY.		REF. NO.	HYSTER PART NO.	NAME OF PART	QTY.	
			A	B				A	B
1	230351	CUP-BEARING	2	2	11	196376	SPACER	1	1
1	230405	CONE-BEARING	2	2	12	96021	GEAR-BEVEL, 45 TEETH	1	1
2	58938	SNAP RING	2	2	12	96028	GEAR-BEVEL, 45 TEETH	1	1
3	95581	RING-SEAL	2	2	13	196377	SPACER	1	1
4	174560	SNAP RING	1	1	14	44316	BEARING-BALL	1	1
5	174559	WASHER	2	2	15	196379	CARRIER-BEARING	1	1
6	230407	BEARING-ROLLER	2	2	16	96497	GEAR-SPIDER REVERSE	1	1
7	96469	GEAR-2ND REDUCTION SPIDER	1	1	17	21014	LOCKNUT-BEARING	1	1
8	95961	CARRIER-R.H. BEARING	1	1	17	174561	LOCKWASHER-BEARING	1	1
8	96431	CARRIER-L.H. BEARING	1	1	18	174434	SHAFT-BEVEL GEAR	1	1
9	96783	SEAL-THREE TEETH	2	2	19	96784	SEAL-TWO TEETH	2	2
10	CLUTCH-PAGE 1805	2	2					

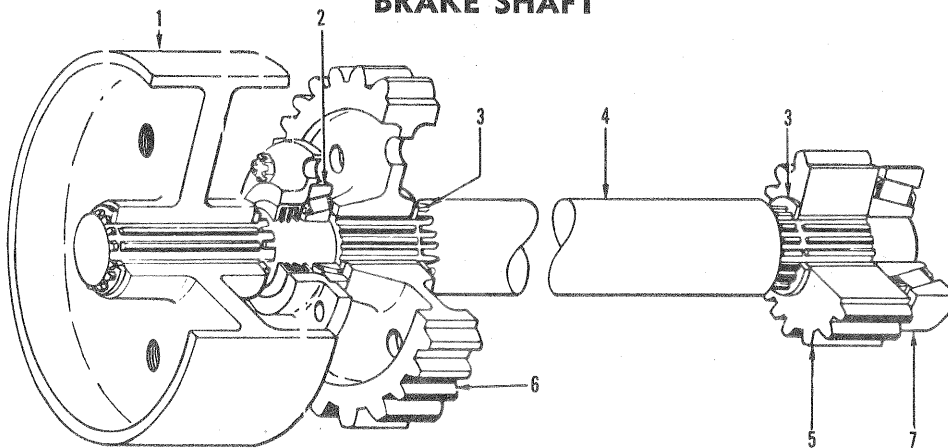
INTERMEDIATE GEAR SHIFT



REF. NO.	HYSTER PART NO.	NAME OF PART	QTY.	REF. NO.	HYSTER PART NO.	NAME OF PART	QTY.
2	92620	SHAFT	1	4	92621	GEAR-DRUM PINION, 15 TEETH	1
3	30091	CUP-BEARING	2				

HYSTER COMPANY
 PARTS OPERATIONS
 Danville, Illinois 61832

BRAKE SHAFT

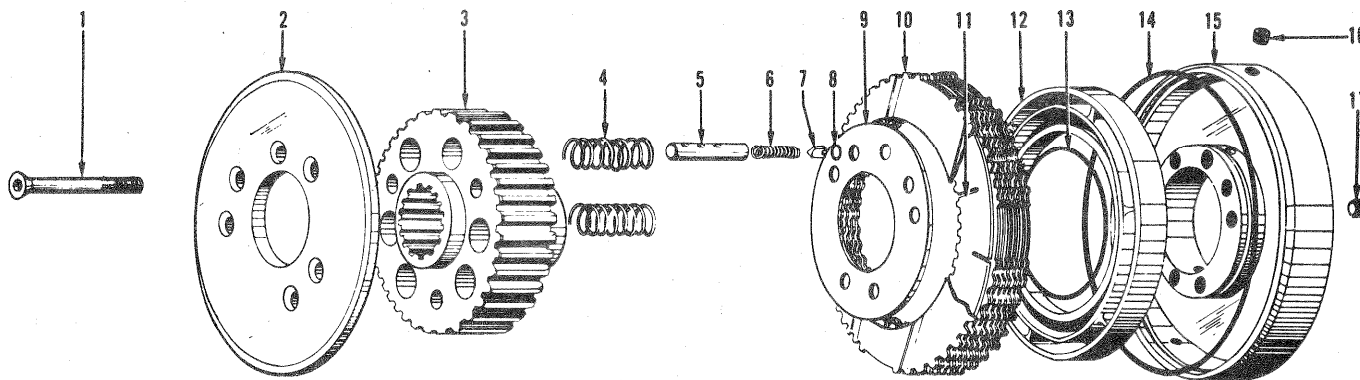


KEY
 A-FOR HIGH SPEED WINCH
 B-FOR STANDARD SPEED WINCH

REF. NO.	HYSTER PART NO.	NAME OF PART				QTY.		REF. NO.	HYSTER PART NO.	NAME OF PART				QTY.	
		1	2	3	4	A	B			1	2	3	4	A	B
1	BRAKE-OIL, PAGE 1C06				1	1	5	96414	GEAR-22 TEETH, INTER. PINION				1	..
2	230311	CUP-BEARING				1	1	5	96417	GEAR-19 TEETH, INTER. PINION				..	1
2	230310	CONE-BEARING				1	1	6	95969	GEAR-2ND RET., 51 TEETH				1	1
3	12915	RING-SNAP				2	2	7	30059	CUP-BEARING				1	1
4	133918	SHAFT-BRAKE				1	1	7	30080	CONE-BEARING				1	1

X
 X

CLUTCH



REF. NO.	HYSTER PART NO.	NAME OF PART				QTY.	REF. NO.	HYSTER PART NO.	NAME OF PART				QTY.
		1	2	3	4				1	2	3	4	
	□ 89773 A	CLUTCH				2	9	96461	RETAINER-SPRING				2
	* 174554	CLUTCH				2	10	133917	DISC-FRICTION				16
1	96468	CAPSCREW-SPECIAL				12	11	96464	PLATE-SEPARATOR				16
2	96467	PLATE-COVER				2	12	96462	PISTON-CLUTCH				2
2	96785	SHIM-.032				AR	13	89777	O-RING				2
3	□ 96460	HUB				1	14	79972	O-RING				2
3	* 174553	HUB				2	15	96463	PLATE-RETAINER				2
4	96466	SPRING				12	16	141348	PLUG-PIPE				2
5	89772	BODY-VALVE				2	17	17118	SETScrew-1/2 UNF X 1/2				12
6	95833	SPRING-VALVE				2							
7	89771	PLUNGER-VALVE				2							
8	89770	RING-SNAP				2							

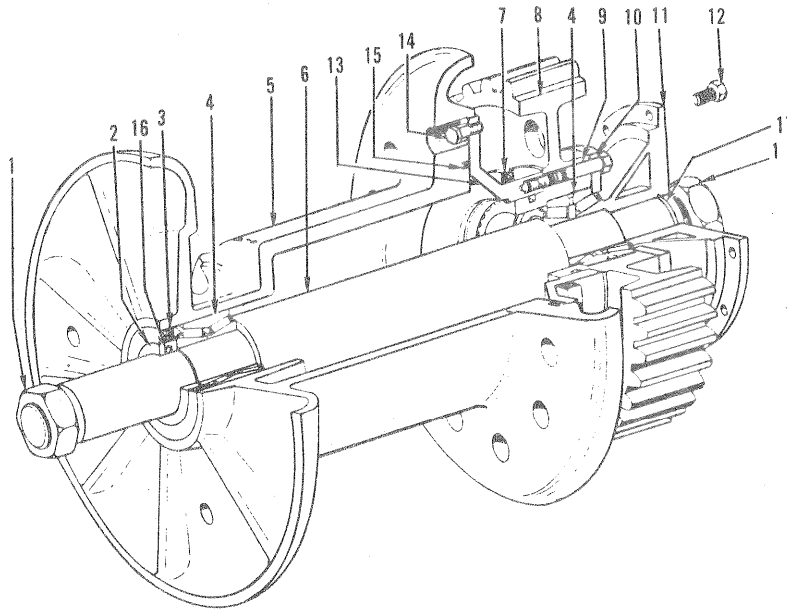
□ LAST USED ON SERIAL NO. E77P-1622
 * FIRST USED ON SERIAL NO. E77P-1623

U

HYSTER COMPANY

PARTS OPERATIONS
 Danville, Illinois 61832

DRUM SHAFT



REF. NO.	HYSTER PART NO.	NAME OF PART	QTY.
1	□ 6607	NUT-2 1/2 SPECIAL	2
1	* 242832	NUT-2 1/2 SPECIAL	2
2	173604	SPACER	1
3	44484	SEAL-OIL	1
4	96437 A	BEARING ASSEMBLY-DRUM L.H.	1
4	78022	BEARING ASSEMBLY-DRUM R.H.	1
5	141357	DRUM-12 IN., STANDARD	1
5	144731	DRUM-8 IN., L.H.	1
5	142854	DRUM-8 IN.	1
6	\$ 173605	SHAFT-DRUM	1
6	□ 192856	SHAFT-DRUM	1
6	* 242839	SHAFT-DRUM	1
7	141149	SEAL-OIL	1
8	96436	GEAR-DRUM, 45 & 58 TEETH	1
9	18863	BOLT-PLACE, 5/8 UNF X 4	8
10	96438	PLATE-GEAR RETAINER	1
11	173606	RETAINER-DRUM	1
11	134070	SHIM-.005	AR

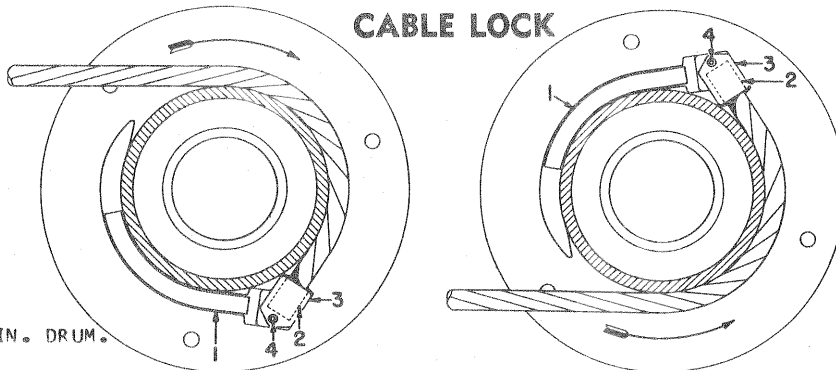
REF. NO.	HYSTER PART NO.	NAME OF PART	QTY.
11	134071	SHIM-.007	AR
11	134072	SHIM-.020	AR
12	178402	CAPSCREW-1/2 UNC X 1 1/4 G5	8
12	15158	LOCKWASHER-1/2	8
13	141325	ADAPTER	1
14	141675	CAPSCREW-5/8 UNF SPECIAL	12
14	53559	DOWEL	12
15	131982	RING-SEAL	1
16	46629	O-RING	1
17	15881	O-RING	1

\$FIRST USED ON SERIAL NO. E77P-2344 AND F47P-2174.

*FIRST USED ON SERIAL NO. A127P-1501, A150P-1501, A128P-1523, A130P-1527, A139P-1515, A148P-1502.

□LAST USED ON SERIAL NO. A128P-1522, A130P-1526, A139P-1514, A148P-1501.

CABLE LOCK



KEY
 A-FOR STANDARD 12 IN. DRUM.
 B-FOR 8 IN. DRUM.

REF. NO.	HYSTER PART NO.	NAME OF PART	QTY.	
			A	B
1	92712	FILLER-CABLE	1	..
1	96420	FILLER-CABLE	..	1
2	6697	FERRULE-CABLE	1	1
3	92713	LOCK-FERRULE, OVERWINDING	1	..
3	92714	LOCK-FERRULE, UNDERWINDING	1	..

REF. NO.	HYSTER PART NO.	NAME OF PART	QTY.	
			A	B
3	95499	LOCK-FERRULE	..	1
4	16823	CAPSCREW-1/4 UNC X 1 1/2	1	..
4	18850	CAPSCREW-1/4 UNC X 3	..	1
4	15160	WASHER-1/4	1	..
4	177949	WASHER-1/4	..	1

HYSTER COMPANY

PARTS OPERATIONS
 Danville, Illinois 61832

002 05

BRAKE AND HYDRAULIC SYSTEM

003 01

BRAKE AND HYDRAULIC SYSTEM.....1D03,1D05

004 01

CHECK VALVE.....1D04

005 01

DUMP VALVE.....1D04

006 01

FILTER AND HOSES.....1D06-1D07

007 01

HANDLING GEAR.....1E04-1E06

008 01

HYDRAULIC CONTROL VALVE.....1E02-1E03

009 01

HYDRAULIC HOSES.....1D09

010 01

HYDRAULIC PUMP.....1D13-1E01

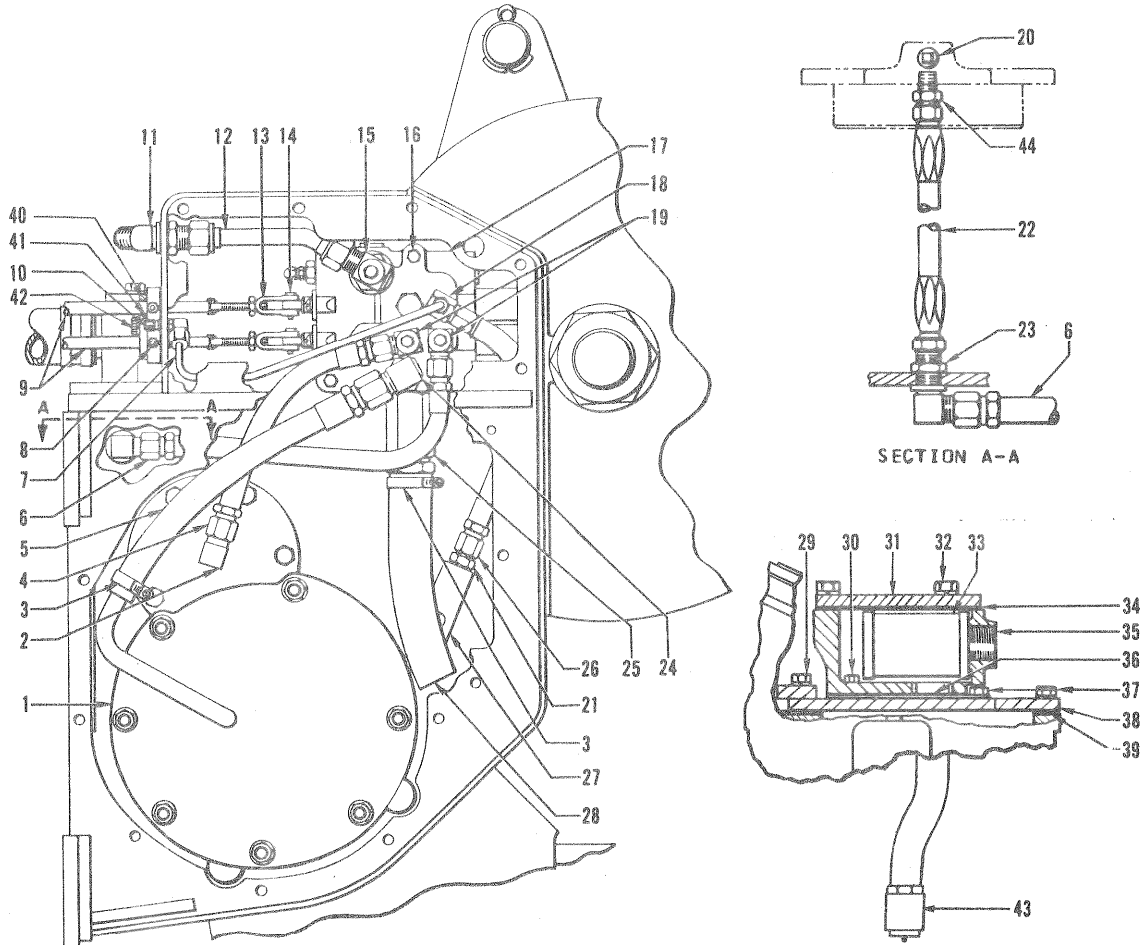
011 01

PUMP DRIVE AND HOSES.....1D08-1D12

USE HYSTER APPROVED PARTS... *it pays*

BRAKE AND HYDRAULIC SYSTEM

LAST USED ON SERIAL NUMBER E77P-2343.



REF. NO.	HYSTER PART NO.	NAME OF PART	QTY.	REF. NO.	HYSTER PART NO.	NAME OF PART	QTY.
1	BRAKE ASSEMBLY, PAGE 1C06.	1	19	16909	CONNECTOR	2
2	17309	ELBOW	1	19	16485	O-RING	1
3	127045	CLAMP-HOSE	2	20	15302	PLUG-PIPE, 3/8	1
4	133943	HOSE ASSEMBLY-L.H. CLUTCH	1	21	17315	CONNECTOR-MALE	2
5	164704	HOSE ASSEMBLY-BRAKE	1	22	96480	HOSE ASSEMBLY	1
6	132009	HOSE ASSEMBLY-R.H. CLUTCH	1	23	16458	ELBOW-BULKHEAD	1
7	165497	TUBE ASSEMBLY	1	23	14761	LOCKNUT	1
8	18853	SETScrew-5/16 UNC X 1 1/4	2	24	111331	ELBOW	1
8	15001	NUT-JAM, 5/16 UNC	2	24	16485	O-RING	1
9	CABLE-CONTROL, PAGE 1E03-1E06.	2	24	16587	LOCKNUT	1
10	16455	ELBOW-BULKHEAD	1	25	168730	VALVE-CHECK	1
10	14758	LOCKNUT	1	25	16487	O-RING	1
11	16468	ELBOW-BULKHEAD, 45 DEG.	1	26	168736	HOSE ASSEMBLY	1
11	14763	LOCKNUT	1	27	181031	VALVE-DUMP	1
12	164702	TUBE ASSEMBLY	1	28	104942	HOSE	1
13	168737	ROD END	2	29	* 164680	CAPSCREW-HT, 1/2 UNC X 2 1/2	4
14	133683	PIN-ROD END	2	29	□ 18588	CAPSCREW-HT, 1/2 UNC X 1 1/2	4
14	15211	COTTER-3/32 X 1/2	2	29	15135	WASHER-1/2	4
15	164703	ELBOW-SPECIAL	1	30	\$ 37562	CAPSCREW-HT, 1/2 UNC X 1 1/4	3
15	16486	O-RING	1	30	\$ 86229	WASHER-SEAL	3
15	16588	LOCKNUT	1	31	\$ 89025	COVER	1
15	14349	PLUG-PIPE, 1/8	1	31	@ 177410	COVER	1
16	18522	CAPSCREW-HT, 5/16 UNC X 3 1/2	3	32	\$ 37562	CAPSCREW-HT, 1/2 UNC X 1 1/4	5
16	15155	LOCKWASHER-3/16	3	32	\$ 15158	LOCKWASHER-1/2	5
17	VALVE-CONTROL, PAGE 1E02.	1	32	@ 18598	CAPSCREW-HT, 1/2 UNC X 5 1/2	4
18	14668	CONNECTOR-MALE	1	32	@ 15158	LOCKWASHER-1/2	4
19	165662	ELBOW-SPECIAL	2	33	160387	FILTER ELEMENT	1
19	14349	PLUG-PIPE, 1/8	2				

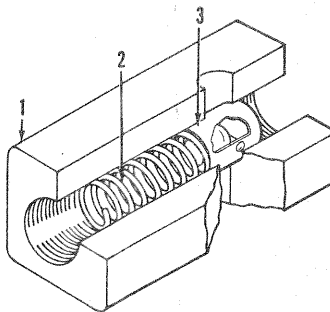
BRAKE AND HYDRAULIC SYSTEM

LAST USED ON SERIAL NO. E77P-2343

REF. NO.	HYSTER PART NO.	NAME OF PART				QTY.	REF. NO.	HYSTER PART NO.	NAME OF PART				QTY.
		1	2	3	4				1	2	3	4	
34	# 89023					1	41	% 100154					2
34	@ 177409					1	42	16805					1
35	* 133968					1	42	% 159812					1
35	* 183060					1	42	15156					1
35	□ 132936					1	43	@ 177369					1
35	@ 179942					1	44	14723					1
36	# 134116					1	44	19987					1
36	@ 177409					1							
37	* 169268					6			*FOR D7 TRACTOR SERIAL NO. 47A1 & UP, 48A1 & UP				
37	□ 18588					6			93N1 & UP, 94 N1 & UP AND 572E PIPELAYER				
37	15135					6			SERIAL				
38	* 161850					1			NO. 65A1 & UP.				
38	@ 179940					1			□FOR 977 TRAXCAVATOR SERIAL NO. 53A1 & UP.				
38	□ 142758					1			%FIRST USED ON SERIAL NO. E77P-1950.				
38	@ 179939					1			#INCLUDED IN GASKET KIT 168729.				
39	# 142759					1			\$LAST USED ON SERIAL NO. E77P-1884.				
40	170233					1			@FIRST USED ON SERIAL NO. E77P-1885.				
40	% 186319					1							
41	104681					2							

DUMP VALVE

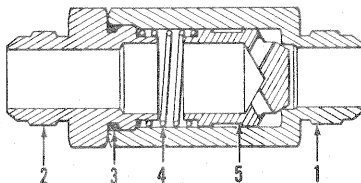
LAST USED ON SERIAL NUMBER E77P-2343.



REF. NO.	HYSTER PART NO.	NAME OF PART				QTY.	REF. NO.	HYSTER PART NO.	NAME OF PART				QTY.
		1	2	3	4				1	2	3	4	
1	181031					1	2	161857					1
	138542					1	3	181032					1

CHECK VALVE

LAST USED ON SERIAL NUMBER E77P-2343.



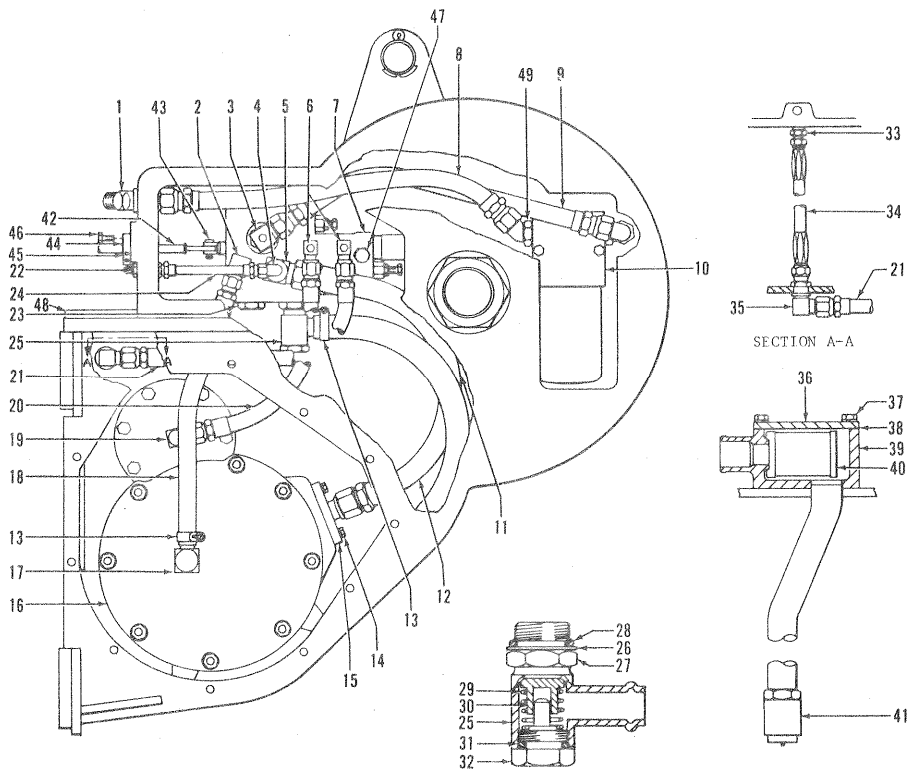
REF. NO.	HYSTER PART NO.	NAME OF PART				QTY.	REF. NO.	HYSTER PART NO.	NAME OF PART				QTY.
		1	2	3	4				1	2	3	4	
1	168730					1	3	16487					1
					1	4	170543					1
2	170545					1	5	170542					1

HYSTER COMPANY

PARTS OPERATIONS
Danville, Illinois 61832

BRAKE AND HYDRAULIC SYSTEM

FIRST USED ON SERIAL NO. E77P-2344



REF. NO.	HYSTER PART NO.	NAME OF PART	QTY.
1	16450	FITTING-BULKHEAD	1
1	16468	FITTING	1
1	16486	O-RING	1
2	198062	ELBOW	1
2	14349	PLUG	1
3	198064	FITTING-SPECIAL	1
3	14349	PLUG	1
4	14500	ELBOW	1
5	198065	ELBOW	1
6	198063	ELBOW-SPECIAL	2
6	14349	PLUG	1
7	VALVE-CONTROL, PAGE 1E02.	1
8	75383	HOSE	2
10	FILTER-HYDRAULIC, PAGE 1D07	1
11	77297	HOSE	1
12	196021	HOSE	1
13	127045	CLAMP-HOSE	2
14	16828	CAPSCREW-3/8 UNC X 1 1/4 G5	2
14	15156	LOCKWASHER-3/8	2
15	196020	FITTING-SPECIAL	1
15	196022	GASKET	1
16	BRAKE-OIL, PAGE 1C06	1
17	16155	NIPPLE	1
18	196015	HOSE	1
19	17344	ELBOW	1
20	133943	HOSE	1
21	132009	HOSE	1
22	237379	UNION-BULKHEAD	1
22	16481	O-RING	1
22	14758	LOCKNUT	1
23	196032	PLUG-SPECIAL	1
24	140288	HOSE	1
25	196031	VALVE-FITTING	1
26	196028	WASHER-BACK-UP	1
27	16589	LOCKNUT	1
28	16487	O-RING	1

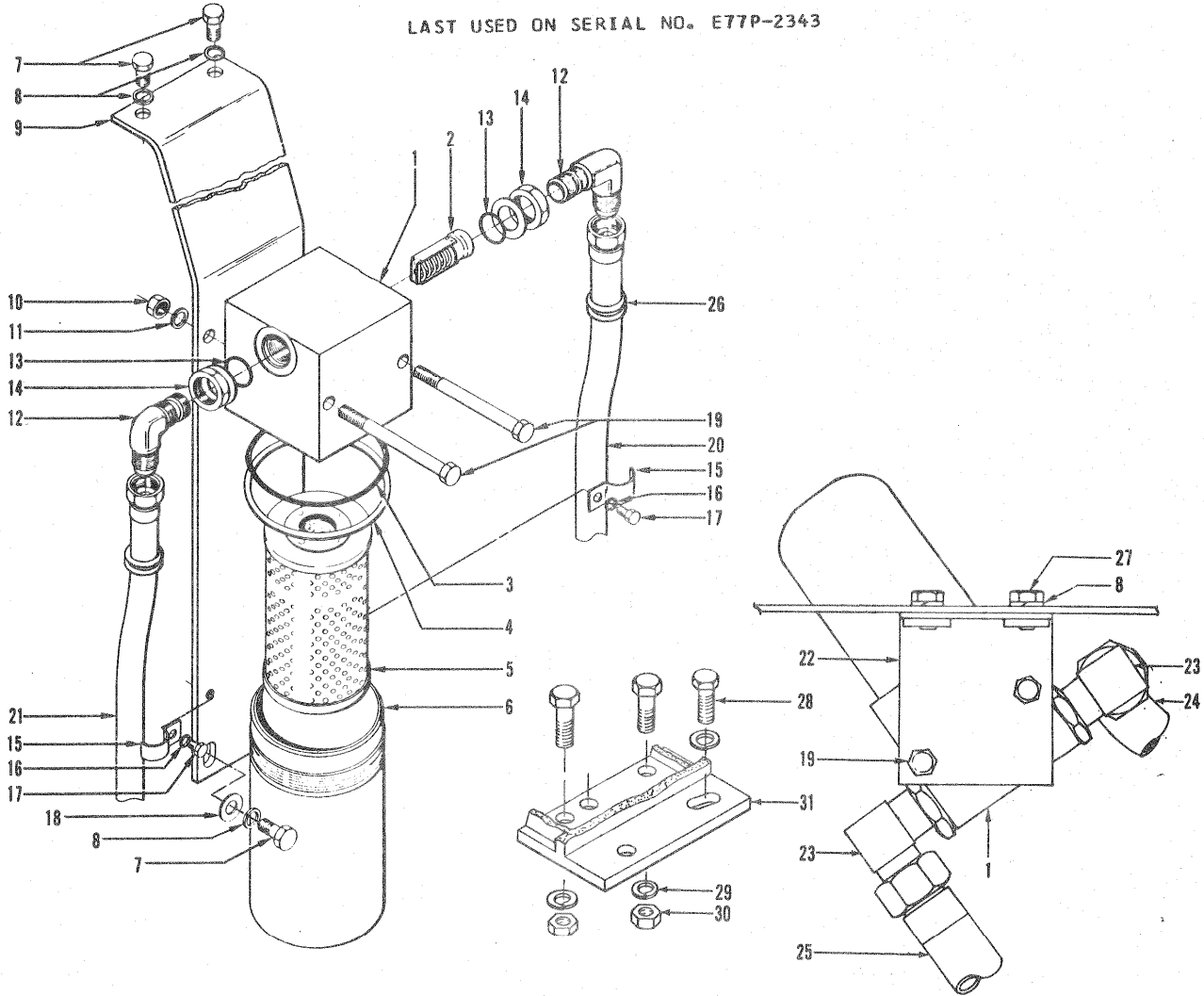
REF. NO.	HYSTER PART NO.	NAME OF PART	QTY.
29	198066	SPRING	1
30	198069	POPPET-CHECK VALVE	1
31	16487	O-RING	1
32	196033	PLUG-SPECIAL	1
33	14723	CONNECTOR	1
33	19987	NIPPLE-CLOSE	1
34	96480	HOSE	1
35	16458	ELBOW	1
36	177410	COVER	1
37	18598	CAPSCREW-1/2 UNC X 5 1/2 G5	4
37	15158	LOCKWASHER-1/2	4
38	177409	GASKET	2
39	219369	MANIFOLD-INTAKE	1
39	253026	MANIFOLD-INTAKE	1
39	266832	MANIFOLD-INTAKE	1
40	160387	CARTRIDGE	1
41	177369	VALVE-FOOT	1
42	CONTROL-CABLE, PAGES 1E03-1E06	1
43	139	PIN-ROD END	1
43	15212	COTTER-3/32 X 3/4	1
44	236417	BRACKET-CABLE	1
45	62499	ROLL PIN-5/16 X 1 1/4	2
46	16830	CAPSCREW-1/2 UNC X 1 1/4 G5	1
46	15158	LOCKWASHER-1/2	1
47	198385	CAPSCREW-1/2 UNC X 3 1/2	3
47	15158	WASHER-1/2	3
48	* 179940	COVER-TRANSMISSION	1
48	□ 257347	COVER-TRANSMISSION	1
49	16570	FITTING	1

*LAST USED ON SERIAL NO. A128P-1582, A130P-1590, A139P-1665, A148P-1516, A155P-1501, E77P-3015.
 □FIRST USED ON SERIAL NO. A128P-1583, A130P-1591, A139P-1666, A148P-1517, A155P-1502, E77P-3016.

FILTER AND HOSES

FOR D7 TRACTORS

LAST USED ON SERIAL NO. E77P-2343



KEY

A-FOR TRACTOR SERIAL NO. 47A1-47A3395 AND 48A1-48A6392.
 B-FOR TRACTOR SERIAL NO. 47A3396 & UP AND 48A6393 & UP.
 C-FOR TRACTOR SERIAL NO. 93N1 & UP AND 94N1 & UP.

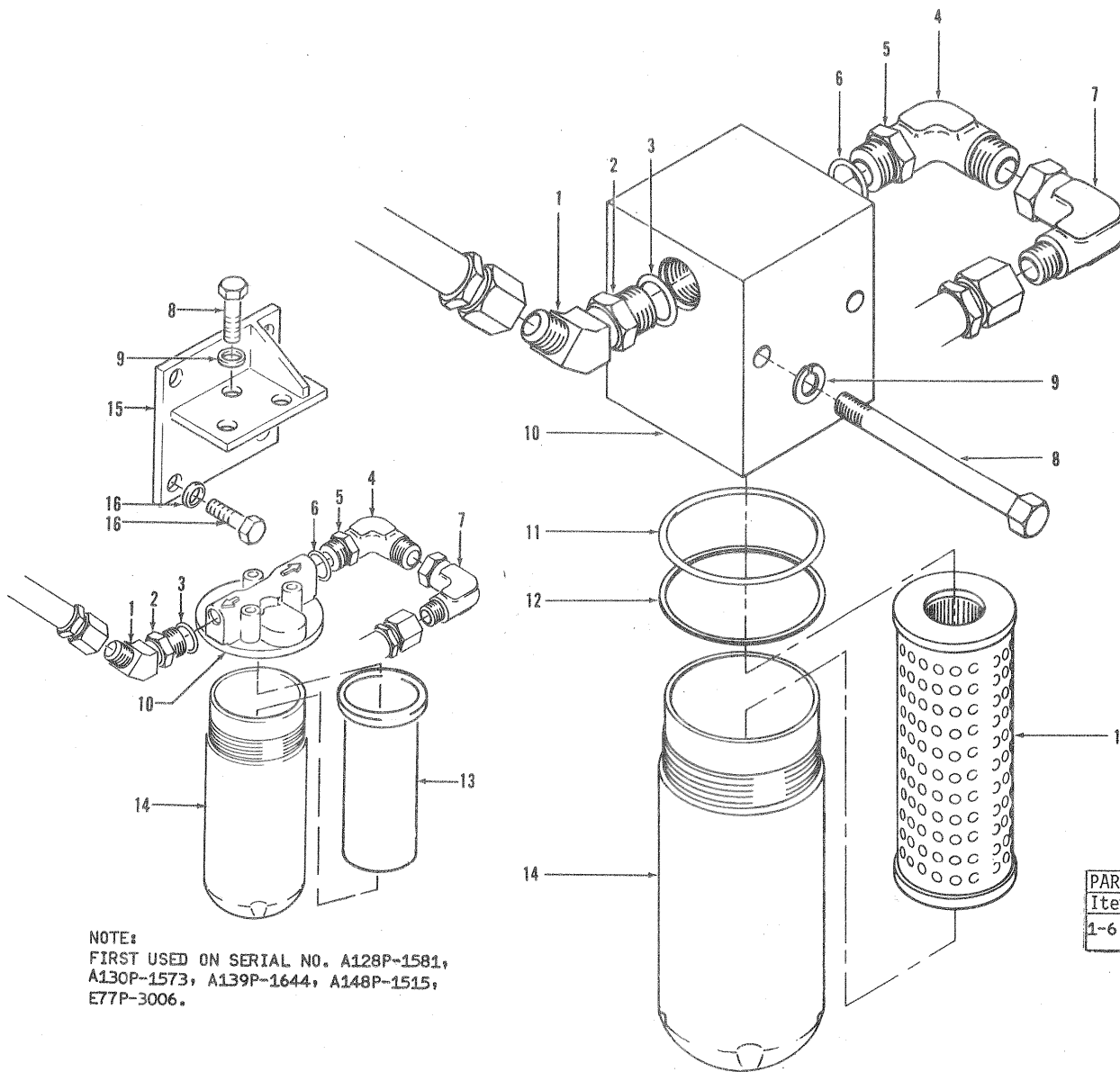
REF. NO.	HYSTER PART NO.	NAME OF PART	QTY.			REF. NO.	HYSTER PART NO.	NAME OF PART	QTY.		
			1	2	3				4	A	B
1	147461	FILTER-HYDRAULIC	1	1	1	18	38760	WASHER	..	2	..
1	149295	HEAD	1	1	1	19	18578	CAPSCREW-HT, 7/16 UNC X 5	2	2	2
2	VALVE-RELIEF	1	1	1	20	76817	HOSE	..	2	..
3	149297	O-RING	1	1	1	21	89438	HOSE-PUMP TO FILTER	1
4	149298	RING-BACK-UP	1	1	1	21	165489	HOSE-FILTER TO WINCH	1
5	147463	ELEMENT	1	1	1	22	148978	BRACKET-R.H. FILTER	1
6	149296	CASE	1	1	1	22	148980	BRACKET-L.H. MOUNTING	1
7	16829	CAPSCREW-HT 1/2 UNC X 1	..	4	..	23	201776	ELBOW	2
8	15158	LOCKWASHER-1/2	4	4	..	23	16487	O-RING	1
9	155112	BRACKET-FILTER MOUNTING	..	1	..	23	16589	LOCKNUT	1
10	15057	NUT-7/16 UNC	2	2	2	24	76227	HOSE-PUMP TO FILTER	1
11	15157	LOCKWASHER-7/16	2	2	2	25	165489	HOSE-FILTER TO WINCH	1
12	201776	ELBOW	..	2	2	26	178921	GROMMET	2	2	2
13	16487	O-RING	..	1	1	27	16830	CAPSCREW-HT, 1/2 UNC X 1 1/4	4
14	16589	LOCKNUT	..	1	1	28	16805	CAPSCREW-HT, 3/8 UNC X 1	4
15	151714	CLAMP	..	2	..	29	15156	LOCKWASHER-3/8	4
16	15156	LOCKWASHER-3/8	..	2	..	30	15056	NUT-HEX 3/8 UNC	2
17	16870	CAPSCREW-HT, 3/8 UNC X 1/2	..	2	..	31	175167	BRACKET-FILTER MOUNTING	1

HYSTER COMPANY

PARTS OPERATIONS
 Danville, Illinois 61832

FILTER AND HOSES

FIRST USED ON SERIAL NO. E77P-2344



NOTE:
FIRST USED ON SERIAL NO. A128P-1581,
A130P-1573, A139P-1644, A148P-1515,
E77P-3006.

PARTS SERVICE GRAM	
Item	Gram
1-6 & 8-10	AO-Z-19

REF. NO.	HYSTER PART NO.	NAME OF PART	QTY.
1	□ 164642	ELBOW-45 DEGREE	1
1	&* 16570	ELBOW-45 DEGREE	1
2	□ 16589	LOCKNUT	1
2	* 16588	LOCKNUT	1
3	□ 16487	O-RING	1
3	* 16486	O-RING	1
4	□ 201776	ELBOW	1
4	&* 16561	ELBOW-90 DEGREE	1
5	□ 16589	LOCKNUT	1
5	* 16588	LOCKNUT	1
6	□ 16487	O-RING	1
6	* 16486	O-RING	1
7	83857	ELBOW	1
8	□ 239885	CAPSCREW-3/8 UNC X 4 1/2 G5	2
8	&* 18497	CAPSCREW-5/16 UNC X 1	3
9	□ 15156	LOCKWASHER-3/8	2
9	&* 15155	LOCKWASHER-5/16	3
10	□ 147461	FILTER	1
10	* 277489	FILTER	1

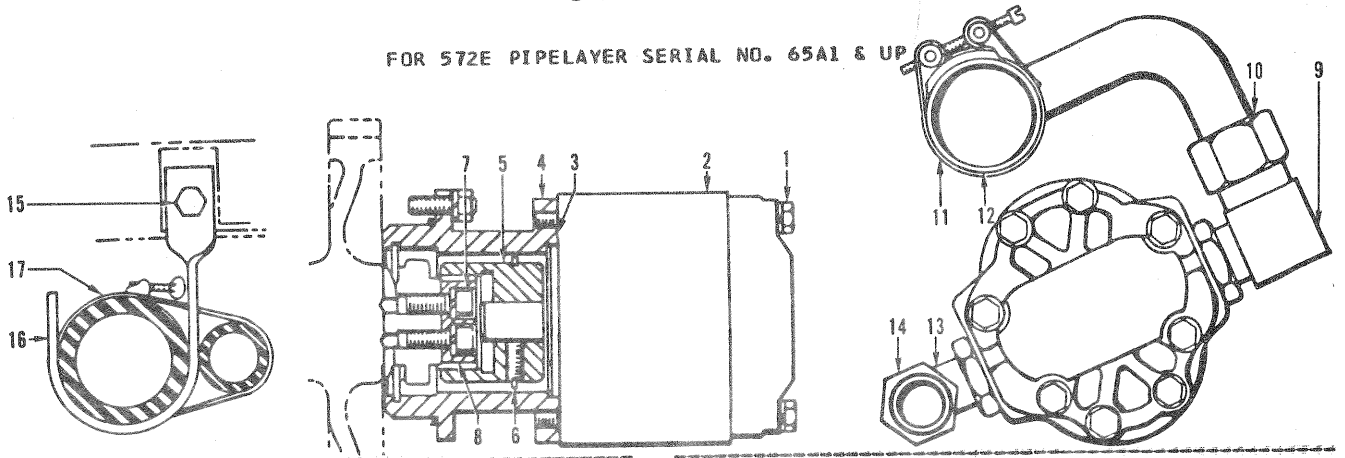
REF. NO.	HYSTER PART NO.	NAME OF PART	QTY.
10	□ 149295	HEAD	1
10	* 259075	HEAD	1
10	VALVE-RELIEF	1
11	□ 149297	O-RING	1
12	□ 149298	RING-BACK-UP	1
13	□ 147463	ELEMENT	1
13	* 277490	ELEMENT	1
14	149296	CASE	1
15	&* 255436	BRACKET-FILTER	1
16	&* 179443	CAPSCREW-3/8 UNC X 1	2
17	&* 15156	WASHER	2
*INCLUDED IN CONVERSION KIT 255443. □LAST USED ON SERIAL NO. A128P-1580, A130P-1572, A139P-1643, A148P-1514, E77P-3005. *FIRST USED ON SERIAL NO. A128P-1581, A130P-1573, A139P-1644, A148P-1515, E77P-3006.			

HYSTER COMPANY

PARTS OPERATIONS
Danville, Illinois 61832

PUMP DRIVE

FOR 572E PIPELAYER SERIAL NO. 65A1 & UP

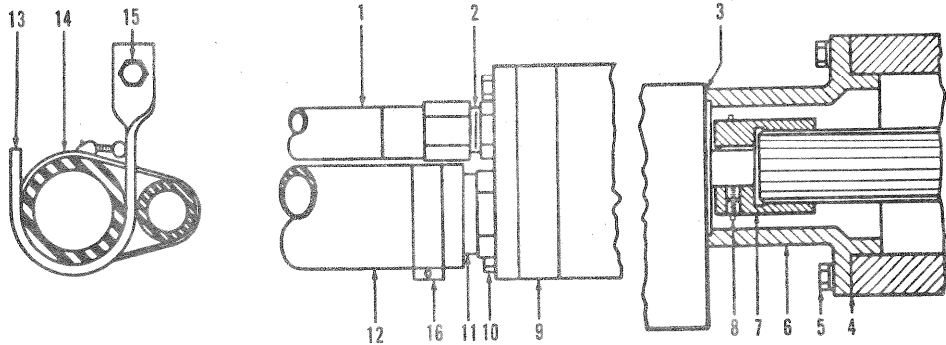


REF. NO.	HYSTER PART NO.	NAME OF PART	QTY.	REF. NO.	HYSTER PART NO.	NAME OF PART	QTY.
		1 2 3 4				1 2 3 4	
1	18551	CAPSCREW-HT, 3/8 UNC X 5 1/8	2	9	16980	LOCKNUT	1
1	15156	LOCKWASHER-3/8	2	10	146385	TUBE ASSEMBLY	1
2	145479	PUMP ASSEMBLY-HYDRAULIC	1	11	142781	CLAMP-HOSE	2
3	* 132044	GASKET	1	12	165490	HOSE	1
4	145478	HOUSING-PUMP DRIVE	1	13	201776	ELBOW	1
5	145477	COUPLING-PUMP	1	13	16487	O-RING	1
6	88837	SNAP RING	1	13	16589	LOCKNUT	1
6	16200	SETScrew-3/8 UNC X 3/8	2	14	123043	HOSE ASSEMBLY	1
7	27187	CAPSCREW-3/8 UNC X 1	2	15	18588	CAPSCREW-HT, 1/2 UNC X 1 1/2	1
7	15156	LOCKWASHER-3/8	2	16	143362	CLAMP-HOSE LOCATING	1
8	145476	SHAFT	1	17	115696	CLAMP-HOSE	1
9	16949	ELBOW	1				
9	16983	O-RING	1				

*INCLUDED IN GASKET KIT 168729.

PUMP DRIVE

FOR D7 TRACTOR



PARTS SERVICE GRAM	
Item	Gram
6 & 10	AO-E-6

KEY

A-FOR TRACTOR SERIAL NO. 47A1-47A3395 AND 48A1-48A6392.
 B-FOR TRACTOR SERIAL NO. 47A3396 & UP, 48A6393 & UP, 93NI & UP, 94NI & UP, 92V1 & UP.

REF. NO.	HYSTER PART NO.	NAME OF PART	QTY.		REF. NO.	HYSTER PART NO.	NAME OF PART	QTY.	
			A	B				A	B
		1 2 3 4					1 2 3 4		
1	76227	HOSE ASSY-PUMP TO FILTER	1	1	8	136391	SETScrew-3/8 UNC X 1/4	1	1
1	# 139725	HOSE-PUMP TO WINCH	1	1	9	239510	PUMP	1	1
2	16543	CONNECTOR-MALE	1	1	10	18551	CAPSCREW-3/8 UNC X 5-1/8	2	2
2	16486	O-RING	1	1	10	15156	LOCKWASHER-3/8	2	2
3	95710	GASKET	1	1	11	145350	NIPPLE-HOSE, SPECIAL	1	1
4	95486	GASKET	1	1	11	16983	O-RING	1	1
5	16805	CAPSCREW-HT, 3/8 UNC X 1	6	6	12	170719	HOSE-MANIFOLD TO PUMP	1	1
5	15156	LOCKWASHER-3/8	6	6	13	143362	CLAMP-HOSE LOCATING	1	1
6	145351	ADAPTER	1	1	14	112989	CLAMP-HOSE	1	1
6	147965	ADAPTER	1	1	15	18588	CAPSCREW-1/2 UNC X 1-1/2	1	1
7	145347	COUPLING	1	1	16	142781	CLAMP-HOSE	2	2
7	* 181895	COUPLING	1	1					
8	54112	RING-SNAP	1	1					
8	16200	SETScrew-3/8 UNC X 3/8	1	1					

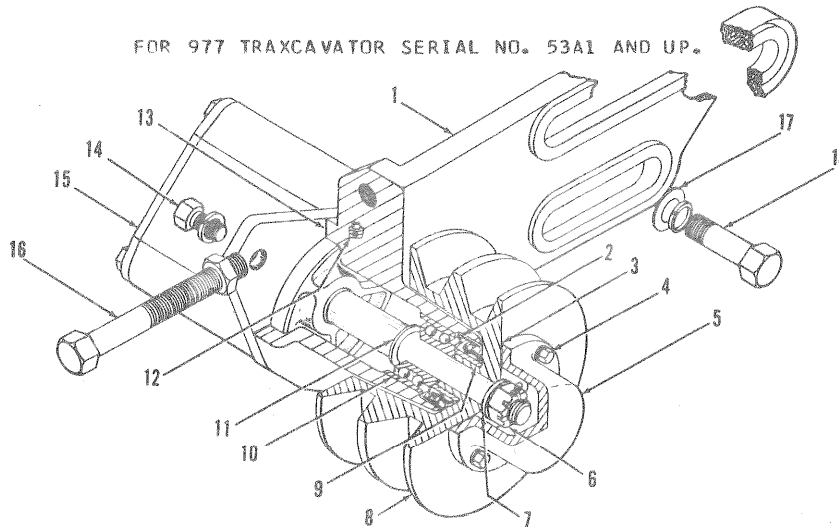
*FIRST USED ON SERIAL NO. E77P-2123.
 #FIRST USED ON SERIAL NO. E77P-2344.

HYSTER COMPANY

PARTS OPERATIONS
 Danville, Illinois 61832

PUMP DRIVE

FOR 977 TRAXCAVATOR SERIAL NO. 53A1 AND UP.

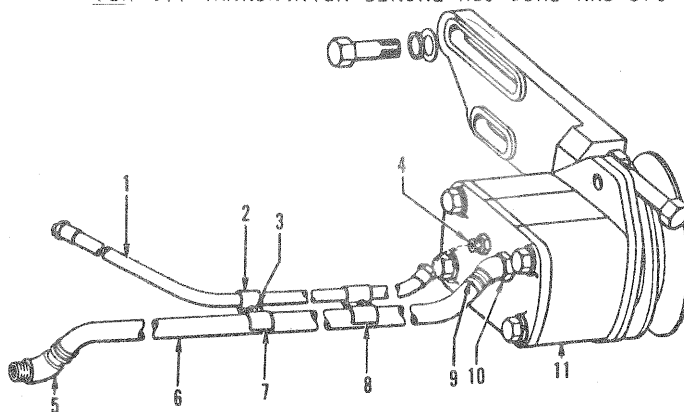


REF. NO.	HYSTER PART NO.	NAME OF PART	QTY.	REF. NO.	HYSTER PART NO.	NAME OF PART	QTY.
		1 2 3 4				1 2 3 4	
	97950 A	PUMP AND PULLEY ASSY	1	11	97954	WASHER-SPECIAL	1
1	97953	BRACKET-PUMP DRIVE	1	12	15306	PLUG-PIPE, 1/8	1
2	97955	SEAL-OIL	1	13	97952	GASKET	1
3	97959	GASKET	1	14 *	16634	CAPSCREW-HT, 3/8 UNF X 1	2
4 *	18460	CAPSCREW-HT, 1/4 UNC X 3/4	4	14	15156	LOCKWASHER-3/8	2
4	15154	LOCKWASHER-1/4	4	15	PUMP-HYDRAULIC, PAGE 1D14	1
5	97960	COVER-PULLEY	1	16	97964	BOLT-ADJUSTING	1
6	15078	NUT-SLOTTED, 1/2 UNF	1	16	15015	NUT-JAM, 5/8 UNC	1
6	15213	COTTER-3/32 X 1	1	17	15135	WASHER-1/2	3
7	15135	WASHER-1/2	1	18	18588	CAPSCREW-HT, 1/2 UNC X 1-1/2	3
8	97956 A	PULLEY	1	18	15158	LOCKWASHER	3
9	97958	SLEEVE-WEAR	1				
10	45303	BEARING-BALL	1				

*INCLUDED IN GASKET KIT 168729.

HYDRAULIC HOSES

FOR 977 TRAXCAVATOR SERIAL NO. 53A1 AND UP.

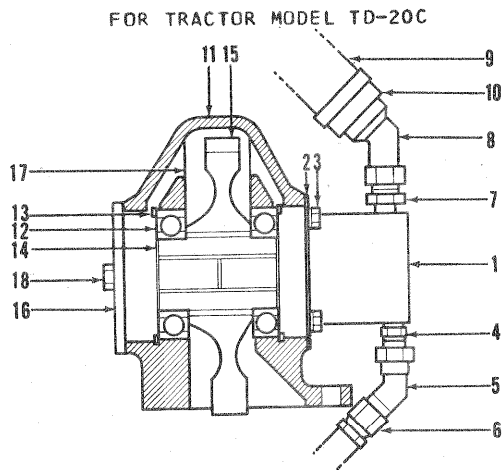


REF. NO.	HYSTER PART NO.	NAME OF PART	QTY.	REF. NO.	HYSTER PART NO.	NAME OF PART	QTY.
		1 2 3 4				1 2 3 4	
1	155298	HOSE ASSEMBLY	1	6	97963	HOSE	1
2	60016	CLAMP-HOSE LOCATING	2	7	15978	CLAMP-HOSE LOCATING	2
3	18467	CAPSCREW-HT, 1/4 UNF X 1-1/4	2	7	132930	SUPPORT-CLAMP	1
3	15154	LOCKWASHER-1/4	2	8	132929	SUPPORT-CLAMP	1
3	15004	NUT-1/4 UNF	2	9	89781	CLAMP-HOSE	2
4	164661	CONNECTOR-MALE	1	10	97961	NIPPLE-HOSE, SPECIAL	1
4	16484	O-RING	1	10	16486	O-RING	1
4	17040	ELBOW-45 DEGREE SWIVEL	1	10	16588	LOCKNUT	1
5	15476	ELBOW-STREET, 45 DEGREE	1	11	97950 A	PUMP & PULLEY ASSEMBLY	1
5	111330	NIPPLE-HOSE, 45 DEGREE	1				

HYSTER COMPANY

PARTS OPERATIONS
Danville, Illinois 61832

PUMP DRIVE AND HOSES

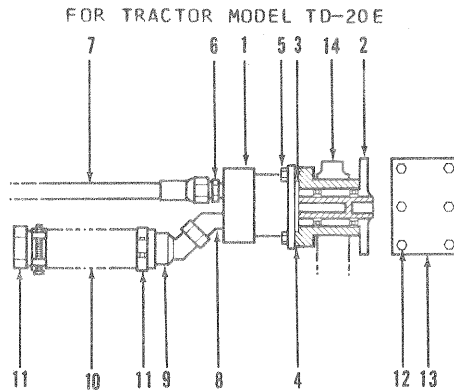


REF. NO.	HYSTER PART NO.	NAME OF PART				QTY.	REF. NO.	HYSTER PART NO.	NAME OF PART				QTY.
		1	2	3	4				1	2	3	4	
1	192941					1	8	192944					1
2	192943					2	9	142781					2
3	56998					4	10	219373					1
3	229352					1	10	115698					5
3	229351					5	11	192815					1
3	221711					1	11	229350					1
4	17346					1	12	229353					2
5	17040					1	13	229354					2
6	219374					1	14	229355					1
6	219368					1	15	229356					1
6	203230					1	16	229357					1
6	16805					3	16	229358					1
6	15156					3	17	183343					1
6	15056					3	18	161195					2
7	14685					1	18	229359					2

HYSTER COMPANY

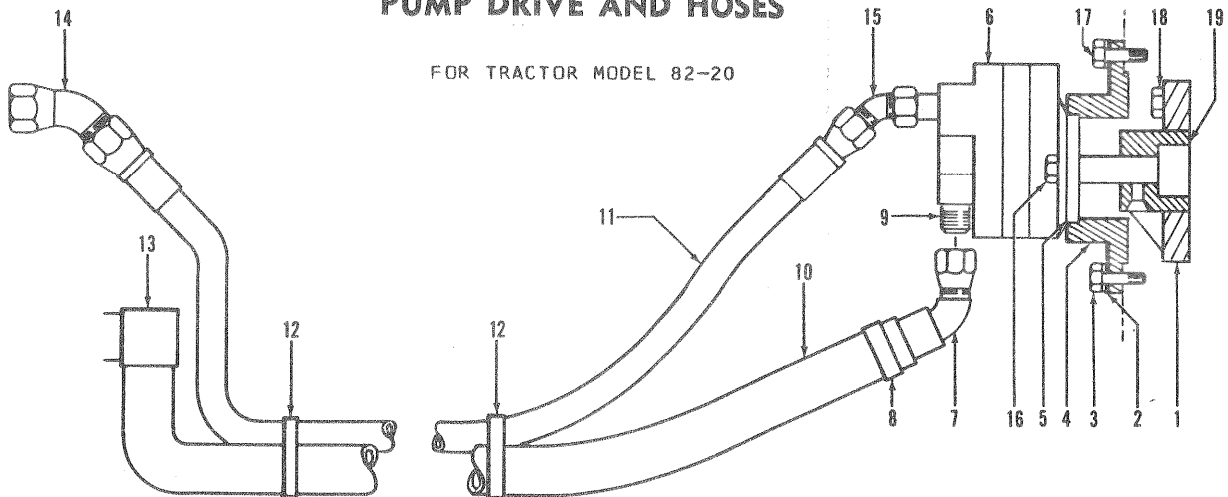
PARTS OPERATIONS
Danville, Illinois 61832

PUMP DRIVE AND HOSES



REF. NO.	HYSTER PART NO.	NAME OF PART	QTY.	REF. NO.	HYSTER PART NO.	NAME OF PART	QTY.
1	192941	PUMP-HYDRAULIC	1	11	266834	NIPPLE	1
2	226462	GEAR	1	12	18588	CAPSCREW-1/2 UNC X 1-1/2 G8	6
3	192943	GASKET	2	13	261540	COVER	1
4	16815	CAPSCREW-3/8 UNC X 1-1/2	2	13	261541	GASKET	1
4	15156	LOCKWASHER-3/8	2	14	255100	DRIVE ASSEMBLY-PUMP	1
5	16805	CAPSCREW-3/8 UNC X 1	2	14	226468	SHAFT	1
5	15156	LOCKWASHER-3/8	2	14	12916	RING-SNAP	1
6	14685	FITTING	1	14	183343	RING-SNAP	1
7	219374	HOSE-HYDRAULIC	1	14	15888	O-RING	1
8	14555	FITTING-ELBOW	1	14	44310	BEARING-BALL	2
9	192944	FITTING-45	1	14	58911	RING-SNAP	2
10	219343	HOSE-SUCTION	1	14	226467	ADAPTER	1
11	142781	CLAMP-HOSE	2	14	12944	RING-SNAP	1

PUMP DRIVE AND HOSES



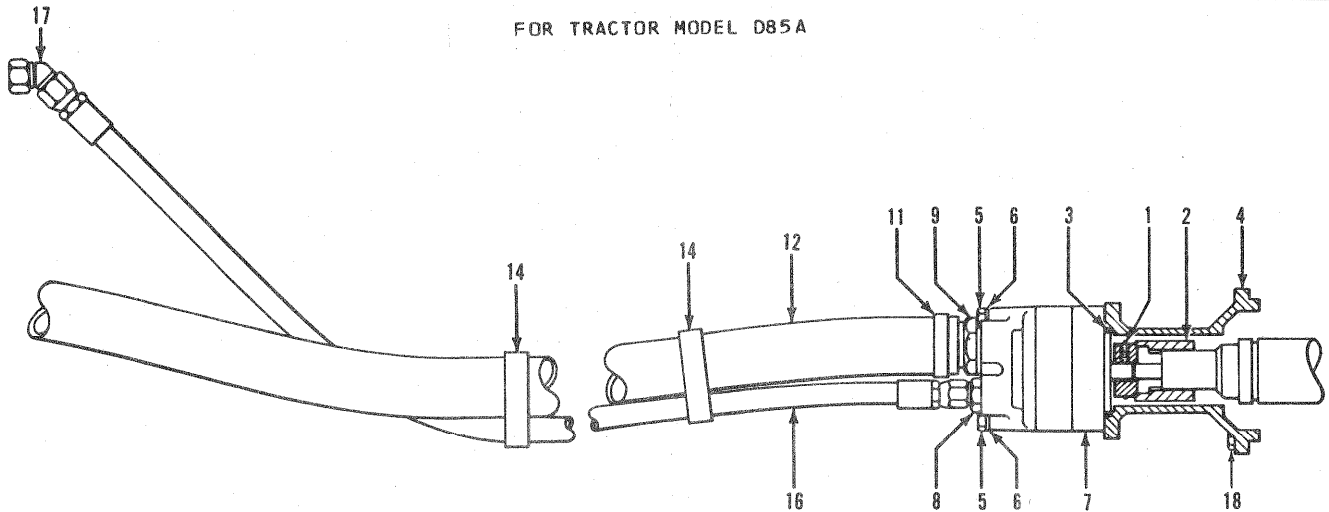
REF. NO.	HYSTER PART NO.	NAME OF PART	QTY.	REF. NO.	HYSTER PART NO.	NAME OF PART	QTY.
1	244434	GEAR-INTERNAL	1	10	253037	HOSE	1
1	16200	SCREW-3/8 UNC X 3/8	1	11	253038	HOSE	1
1	136391	SCREW-3/8 UNC X 1/4	1	12	129563	CLAMP-TIE	5
1	54112	RING-SNAP	1	13	139688	NIPPLE-24 X 24	1
2	244506	GASKET	1	14	17346	ELBOW	1
3	18588	CAPSCREW-1/2 UNC X 1-1/2	4	15	17307	ELBOW-37, 12 X 12	1
3	15158	WASHER-1/2	4	16	16815	CAPSCREW-3/8 X 1-1/2	2
4	244427	BRACKET-PUMP	1	16	15156	WASHER-3/8	2
5	195816	GASKET	1	17	18558	CAPSCREW-7/16 UNC X 1-1/2	1
6	192941	PUMP	1	17	222091	WASHER-7/16	1
7	250564	FITTING-SPECIAL	1	18	221503	CAPSCREW-3/8 UNF X 1-1/2	4
8	226413	CLAMP-HOSE	2	19	244430	GEAR-DRIVE	1
9	17301	ELBOW-37, 12 X 12	1				

HYSTER COMPANY

PARTS OPERATIONS
Danville, Illinois 61832

PUMP DRIVE AND HOSES

FOR TRACTOR MODEL D85A

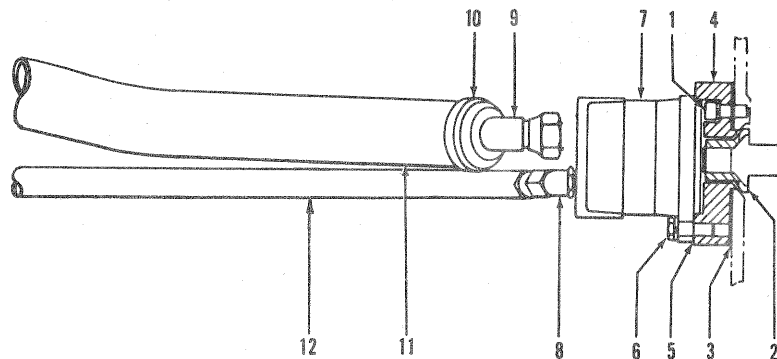


REF. NO.	HYSTER PART NO.	NAME OF PART	QTY.
1	16200	SETSCREW-3/8 UNC X 3/8	1
1	136391	SETSCREW-3/8 UNC X 1/4	1
1	54112	RING-SNAP	1
2	213047	COUPLING	1
3	39369	O-RING	1
4	213041	ADAPTER	1
5	18547	CAPSCREW-3/8 UNC X 4-1/2 G5	2
6	15156	LOCKWASHER-3/8	2
7	PUMP, PAGE 1009	1
8	67546	CONNECTOR-MALE	1
9	145350	FITTING	1

REF. NO.	HYSTER PART NO.	NAME OF PART	QTY.
9	16983	O-RING	1
10	192944	ELBOW	1
11	142781	CLAMP-HOSE	2
12	164674	HOSE-SUCTION	1
13	195393	TUBE	1
14	18994	CLAMP-HOSE	3
14	246000	PLATE	1
15	164677	HOSE-SUCTION	1
16	140416	HOSE	1
17	17040	ELBOW-45 DEGREE	1
18	246001	CAPSCREW-SPECIAL	4

PUMP DRIVE AND HOSES

FOR TRACTOR MODEL HD-16B



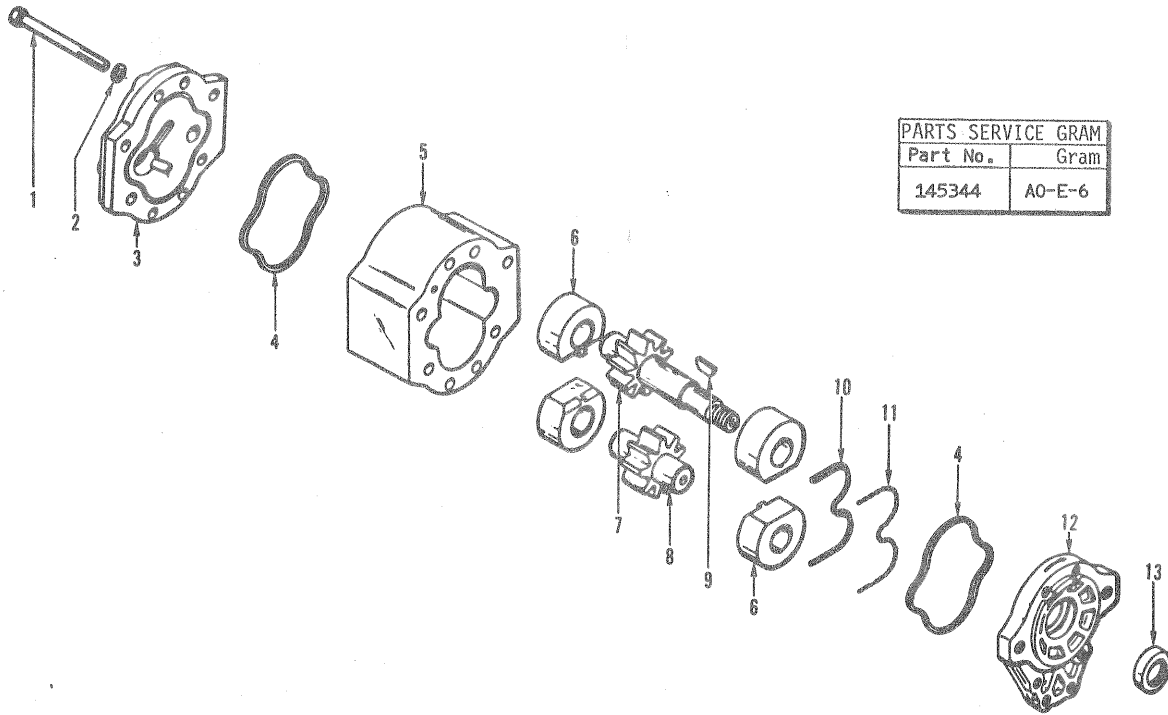
REF. NO.	HYSTER PART NO.	NAME OF PART	QTY.
1	27187	CAPSCREW-3/8 UNC X 1	3
1	177947	LOCKWASHER-3/8	3
2	195389	COUPLING	1
3	195390	GASKET	1
4	195391	ADAPTOR	1
5	195816	GASKET	1
6	16828	CAPSCREW-3/8 UNC X 1-1/4 G5	2
6	15156	LOCKWASHER-3/8	2
7	195392	PUMP	1

REF. NO.	HYSTER PART NO.	NAME OF PART	QTY.
8	112471	ELBOW	1
9	241746	ELBOW	1
10	142781	CLAMP-HOSE	2
11	223248	HOSE-SUCTION	1
12	195394	HOSE	1
13	112989	CLAMP-HOSE	3
13	246000	PLATE-HOSE BRACKET	1
14	17040	ELBOW-45 DEGREE	1
15	246001	CAPSCREW-SPECIAL	4

HYSTER COMPANY

PARTS OPERATIONS
Danville, Illinois 61832

HYDRAULIC PUMP



PARTS SERVICE GRAM	
Part No.	Gram
145344	A0-E-6

KEY
 A-FOR D7 TRACTOR SERIAL NO. 47A1 & UP, 48A1 & UP, 93N1 & UP, AND 94N1 & UP.
 B-FOR 572E PIPELAYER SERIAL NO. 65A1 & UP.
 C-FOR 977 TRAXCAVATOR SERIAL NO. 53A1 & UP.

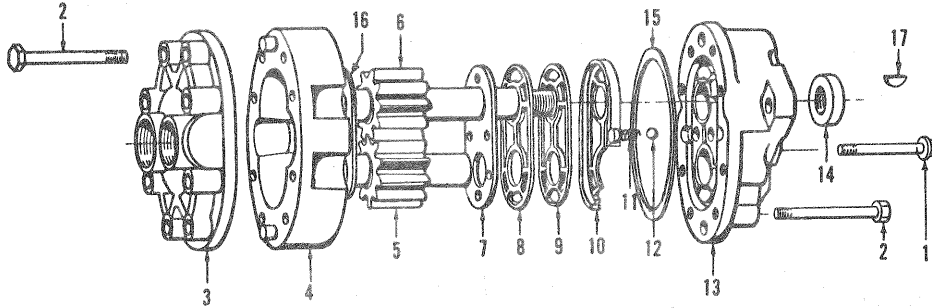
REF. NO.	HYSTER PART NO.	NAME OF PART	QTY.		
			A	B	C
	145344	PUMP-HYDRAULIC	1
	145479	PUMP-HYDRAULIC	..	1	..
	97951 A	PUMP-HYDRAULIC	1
1	123704	CAPSCREW	6
1	127661	CAPSCREW	..	6	..
1	124247	CAPSCREW	4
2	129447	WASHER	6	6	..
3	126445	COVER-REAR	1
3	127658	COVER-REAR	..	1	..
3	124241	COVER-REAR	1
4	□*	SEAL	2	2	2
5	BODY	1	1	1
6	*	BEARING	4	4	4
7	#	GEAR-DRIVE	1	1	1
8	#	GEAR-DRIVEN	1	1	1
9	*	KEY	1
9	*	KEY	..	1	..
9	*	KEY	1
10	□*	GASKET	1	1	1

REF. NO.	HYSTER PART NO.	NAME OF PART	QTY.		
			A	B	C
11	□*	SPACER	1	1	..
12	126444	COVER-FRONT	1
12	127657	COVER-FRONT	..	1	..
12	124240	COVER-FRONT	1
13	□*	SEAL-SHAFT	1	1	..
	145381	REPAIR KIT-MAJOR	1
	147401	REPAIR KIT-MAJOR	..	1	..
	124245	REPAIR KIT-MAJOR	1
	145382	REPAIR KIT-MINOR	1
	158913	REPAIR KIT-MINOR	..	1	..
	124249	REPAIR KIT-MINOR	1
	146896	GEAR KIT	1
	127659	GEAR KIT	..	1	..
	124242	GEAR KIT	1

*INCLUDED IN MAJOR REPAIR KIT.
 □INCLUDED IN MINOR REPAIR KIT.
 #INCLUDED IN GEAR KIT.

HYDRAULIC PUMP

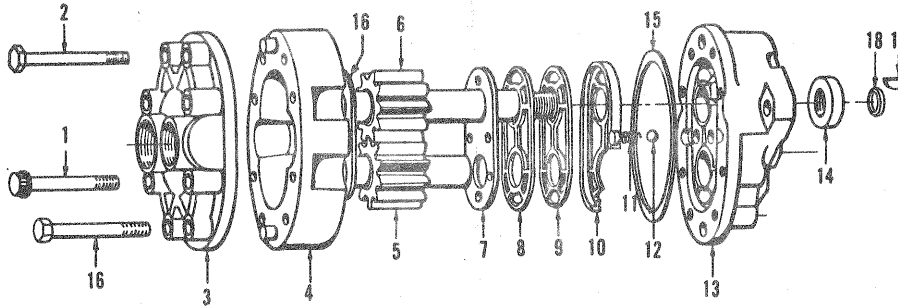
FOR D7 TRACTORS FIRST USED ON SERIAL NO. E77P-2123 AND TRACTOR MODEL D85A



REF. NO.	HYSTER PART NO.	NAME OF PART	QTY.	REF. NO.	HYSTER PART NO.	NAME OF PART	QTY.
		1 2 3 4				1 2 3 4	
	239510	PUMP	1	10	* 184136	SEAL-DIAPHRAGM	1
1	184130	CAPSCREW-5/16 UNC X 3	2	11	* 160759	SPRING	1
2	184131	CAPSCREW-5/16 UNC X 2 1/2	4	12	* 68964	BALL	1
3	250718	BACK PLATE	1	13	184124	PLATE-FRONT	1
4	184126	BODY	1	14	* 184135	SEAL-SHAFT	1
4	184129	PIN-DOWEL	2	15	* 184138	O-RING	2
5	184127	GEAR-IDLER	1	16	* 184137	PLATE-THRUST	1
6	184128	GEAR-DRIVE	1	17	184123	KEY	1
7	* 184134	DIAPHRAGM	1	*INCLUDED IN SEAL REPAIR KIT 184132.			
8	* 184133	GASKET-BACKUP	1				
9	* 184139	GASKET-PROTECTOR	1				

HYDRAULIC PUMP

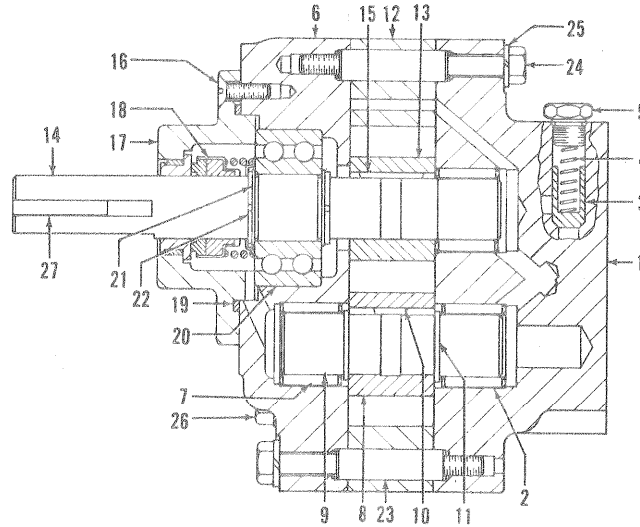
FOR TRACTOR MODEL HD-16B



REF. NO.	HYSTER PART NO.	NAME OF PART	QTY.	REF. NO.	HYSTER PART NO.	NAME OF PART	QTY.
		1 2 3 4				1 2 3 4	
	195392	PUMP-HYDRAULIC	1	10	* 199015	SEAL-DIAPHRAGM	1
1	199040	CAPSCREW-5/16 UNC X 3 , 12 PT	2	11	* 160759	SPRING	1
2	18513	CAPSCREW-5/16 UNC X 2 1/2	4	12	* 68964	BALL	1
3	199038	BACK PLATE	1	13	199037	PLATE-FRONT	1
4	171013	BODY	1	14	* 132718	SEAL-SHAFT	1
4	165620	PIN-DOWEL	2	15	* 170883	O-RING	2
5	171015	GEAR-IDLER	1	16	132596	CAPSCREW-5/16 UNC X 3	2
6	199039	GEAR-DRIVE	1	17	184123	KEY	1
7	* 160760	DIAPHRAGM	1	18	199041	RING-RETAINING	1
8	* 132717	GASKET-BACK-UP	1	*INCLUDED IN SEAL REPAIR KIT 199042.			
9	* 160762	GASKET-PROTECTOR	1				

HYDRAULIC PUMP

FOR TRACTOR MODEL TD-20C, TD-20E, & B2-20.



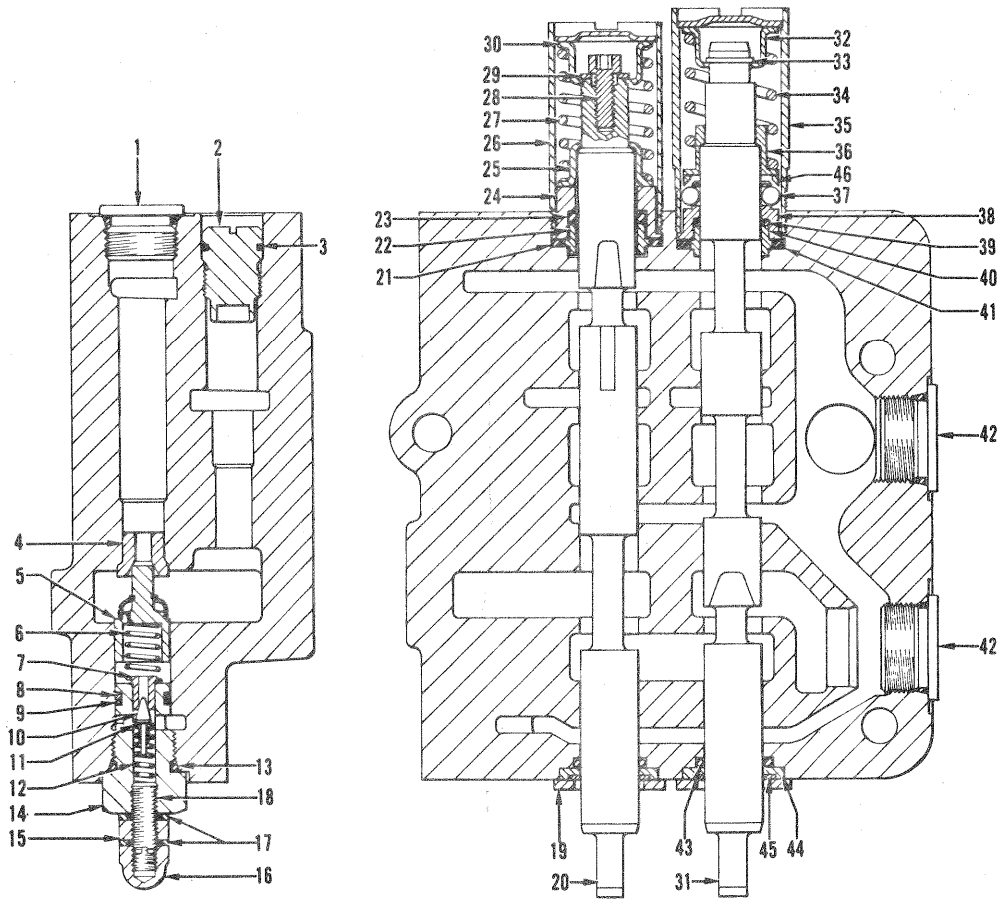
REF. NO.	HYSTER PART NO.	NAME OF PART	QTY.	REF. NO.	HYSTER PART NO.	NAME OF PART	QTY.
	192941	PUMP-HYDRAULIC	1	14	197005	SHAFT-DRIVE	1
1	196993	COVER	1	15	197006	KEY-SQUARE	1
2	196994	BEARING-NEEDLE	2	16	197008	CAPSCREW-FLAT HD 10-UNC X 5/8	3
3	232797	VALVE	2	17	197010	PLATE-PILOT	1
4	196995	SPRING	2	18	197011	SEAL-ROTARY	1
5	232799	PLUG-VALVE	2	19	109607	O-RING	1
6	196996	BODY	1	20	45204	BEARING-BALL	1
7	196994	BEARING-NEEDLE	1	21	197016	WASHER	2
8	196998	GEAR-IDLER	1	22	197017	RING-DOWEL	2
8	197000	GEAR	1	23	197018	PIN-DOWEL	2
9	196999	SHAFT	1	24	18475	CAPSCREW-1/4 UNC X 2 1/2	2
10	197001	KEY	1	25	15154	LOCKWASHER-1/4	2
11	197002	RING-RETAINING	2	26	16782	CAPSCREW-5/16 UNC X 2 1/4	6
12	197003	PLATE-GEAR	1	26	15155	LOCKWASHER-5/16	6
12	197009	PLUG-PIPE	2	27	32415	KEY-NO. 7	1
13	197004	GEAR-DRIVE	1				

HYSTER COMPANY

PARTS OPERATIONS
Danville, Illinois 61832

HYDRAULIC CONTROL VALVE

LAST USED ON SERIAL NUMBER E77P-2343.



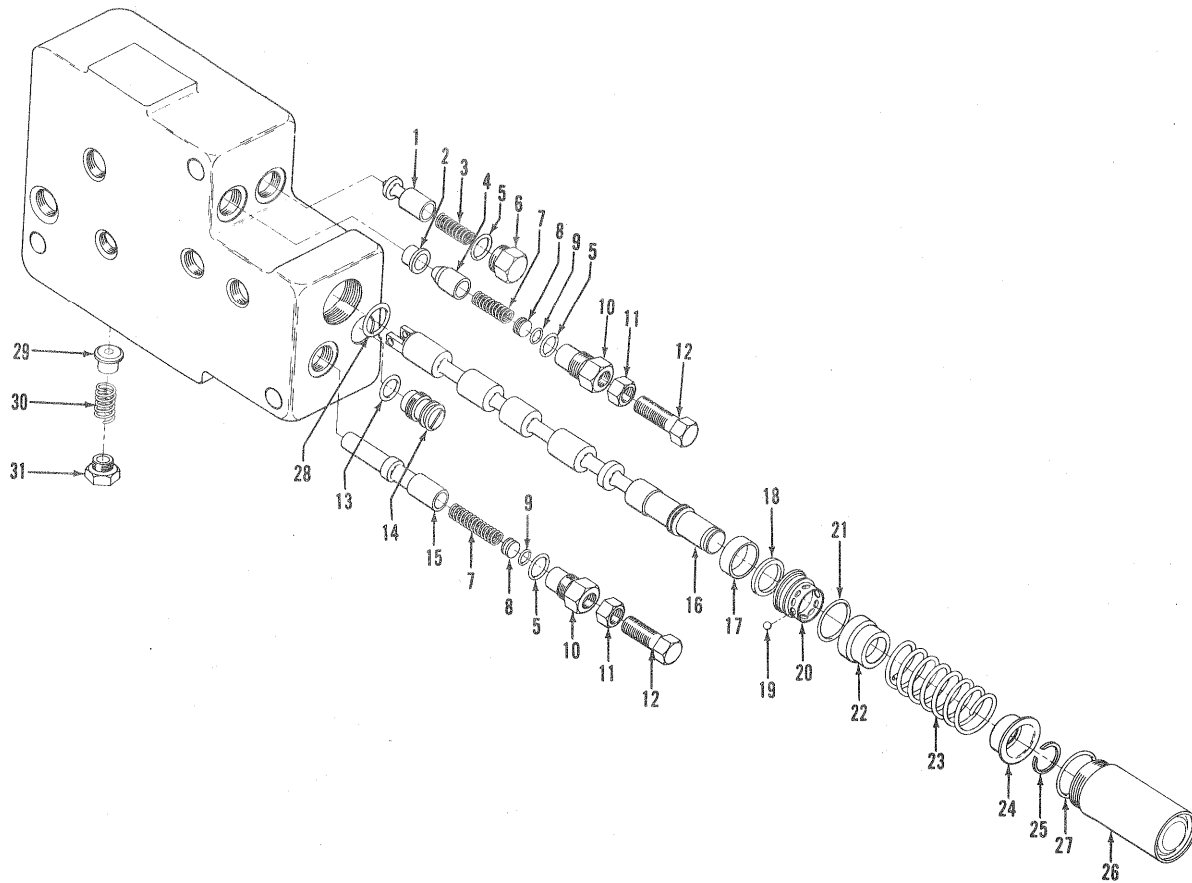
REF. NO.	HYSTER PART NO.	NAME OF PART	QTY.	REF. NO.	HYSTER PART NO.	NAME OF PART	QTY.
	168741	VALVE-CONTROL	1	23	60836	O-RING	1
1	233693	PLUG	4	24	166910	RETAINER-SEAL	1
1	16485	O-RING	1	25	166905	RETAINER-SPRING	1
2	233492	CAP	2	26	166906	CAP	1
3	118389	O-RING	2	27	166911	SPRING-SPOOL	1
4	166917	VALVE-RELIEF	1	28	166914	SCREW	1
4	170988	SEAT	1	29	166922	WASHER	1
5	170989	POPPET	1	30	166904	RETAINER-SPRING	1
6	170993	SPRING	1	31	170981	SELECTOR-SPOOL	1
7	86976	SEAT-PILOT	1	32	166904	RETAINER-SPRING	1
8	159859	O-RING	1	33	233495	RING-RETAINER	1
9	159858	RING-BACK-UP	1	34	166911	SPRING-SPOOL	1
10	170995	PLUNGER-PILOT	1	35	170985	CAP	1
11	170996	SLEEVE	1	36	170983	SPACER-SELECTOR	1
12	166920	SPRING-PILOT	1	37	170987	BALL-STEEL	8
13	16484	O-RING	1	38	170984	RETAINER-BALL	1
14	170994	CAP	1	39	60836	O-RING	1
15	233502	NUT-JAM	1	40	170986	RETAINER-SEAL	1
16	233503	NUT-ACORN	1	41	166912	O-RING	1
17	234823	WASHER-SEAL	2	42	163660	PLUG	2
18	170997	SETSCREW	1	42	16486	O-RING	1
19	233508	PLATE-RETAINER	2	43	60836	O-RING	2
19	233696	SCREW	4	44	233506	RETAINER-SEAL	2
20	166913	SPOOL-MODULATING	1	45	233505	WIPER	2
21	166912	O-RING	1	46	184450	SPACER	1
22	166909	RETAINER-SEAL	1		166912	O-RING-VALVE TO SUPPORT	1

HYSTER COMPANY

PARTS OPERATIONS
Danville, Illinois 61832

HYDRAULIC CONTROL VALVE

FIRST USED ON SERIAL NO. E77P-2344



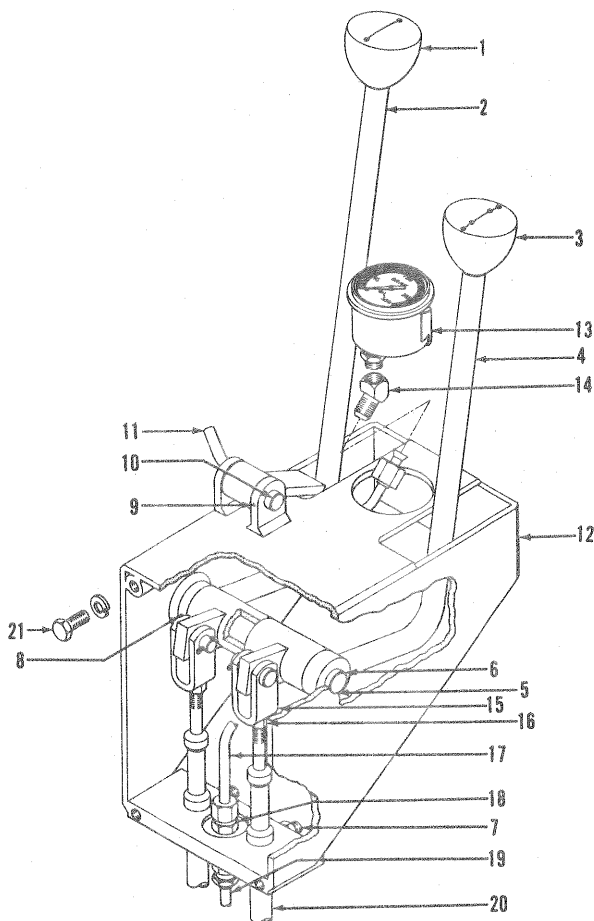
REF. NO.	HYSTER PART NO.	NAME OF PART	QTY.	REF. NO.	HYSTER PART NO.	NAME OF PART	QTY.
	* 217120	VALVE-CONTROL	1	17	□ 258226	RING	1
	□ 262092	VALVE-CONTROL	1	18	196000	RING	1
	□ 258219	BODY-VALVE	1	19	170987	BALL-STEEL	8
1	196006	FORWARD MODULATING SPOOL	1	20	195997	RETAINER-DETENT	1
2	195990	RELIEF SEAT	1	21	118365	O-RING	1
3	196013	SPRING	1	22	238992	SPACER-SELECTOR	1
4	195991	PLUNGER-RELIEF	1	23	166911	SPRING	1
5	16484	O-RING	3	24	166905	SPACER-CENTERING	1
6	196007	PLUG	1	25	196002	SNAP RING	1
7	195992	SPRING-RELIEF	2	26	196009	CAP	1
8	195993	PLUG-O-RING	2	27	39376	O-RING	1
9	15860	O-RING	2	28	* 60836	O-RING	1
10	196004	FITTING-SPECIAL	2	28	□ 118361	O-RING	1
11	15027	NUT-JAM, 7/16 UNF	2	29	198068	POPPET-CHECK VALVE	1
12	195995	CAPSCREW-SPECIAL	2	30	137117	SPRING	1
13	118389	O-RING	1	31	196032	FITTING-PLUG	1
14	233492	CAP	1				
15	196003	SPOOL-REVERSE MODULATING	1				
16	* 238993	SPOOL ASSEMBLY	1				
16	□ 262094	SPOOL ASSEMBLY	1				
16	* 217118	SPOOL	1				
16	□ 258218	SPOOL	1				
17	* 195999	RING	1				
						*LAST USED ON SERIAL NO. A128P-1587, A130P-1595, A148P-1519, A155P-1502, E77P-3075.	
						□FIRST USED ON SERIAL NO. A128P-1588, A130P-1596, A148P-1520, A155P-1503, E77P-3076.	

HYSTER COMPANY

PARTS OPERATIONS
Danville, Illinois 61832

HANDLING GEAR

LAST USED ON SERIAL NO. E77P-2343



KEY

A-FOR D7 TRACTOR SERIAL NUMBER 47A1 & UP, 48A1 & UP, 93N1 & UP, 94N1 & UP, AND 572E PIPELAYER SERIAL NO. 65A1 & UP.
 B-FOR 977 TRAXCAVATOR SERIAL NO. 53A1 & UP.

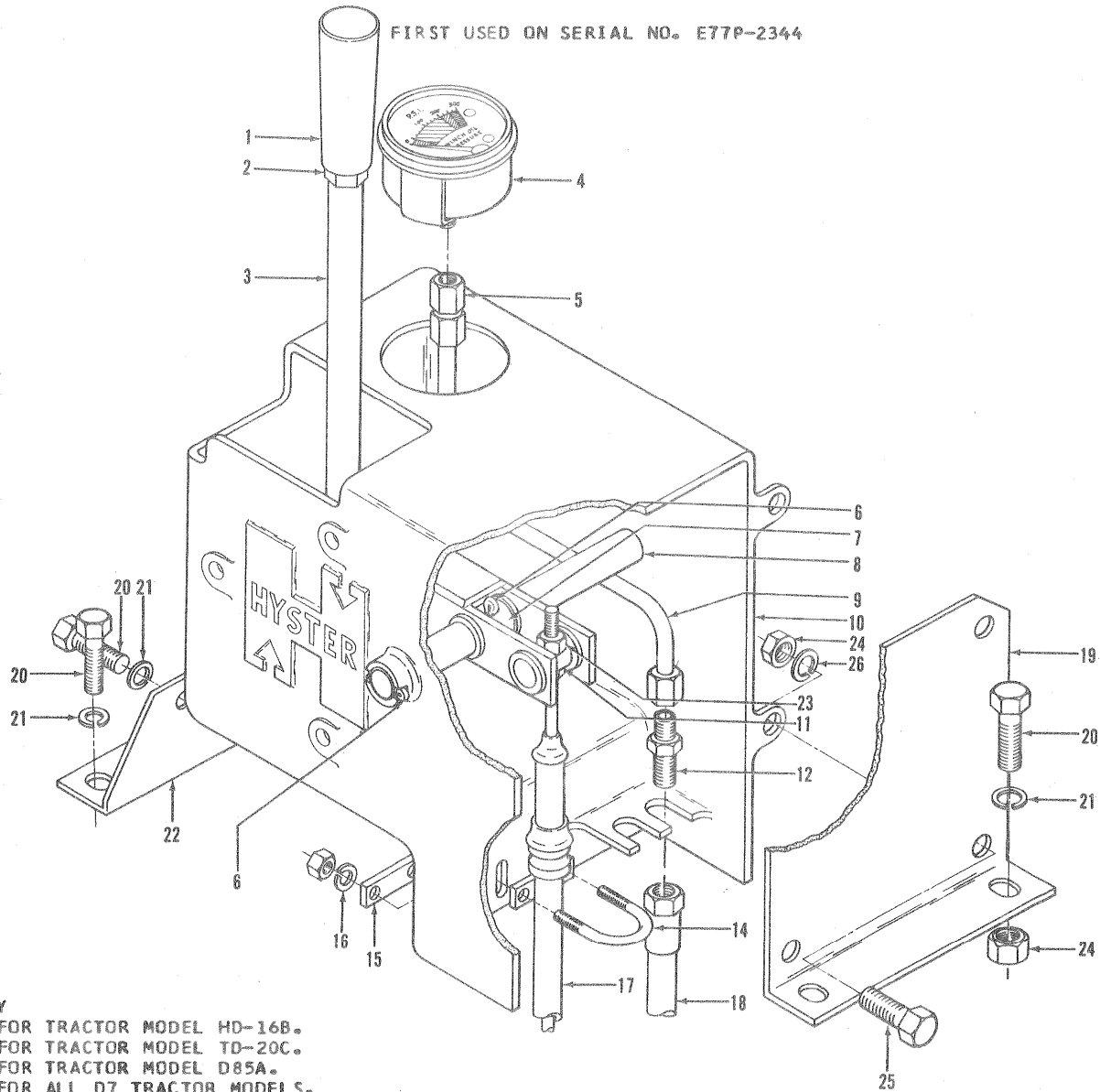
REF. NO.	HYSTER PART NO.	NAME OF PART	QTY.		REF. NO.	HYSTER PART NO.	NAME OF PART	QTY.	
			1	2				A	B
	□ 189085	HANDLEVER	1	1	16	15025	NUT-JAM-5/16 UNF	4	4
	* 189086	HANDLEVER	1	1	17	174422	TUBE	1	1
1	172744	KNOB	1	1	17	@ 192408	TUBE	1	1
2	□ 183584	LEVER-INCHING, CURVED	1	1	18	16445	FITTING	1	1
2	* 172757	LEVER-INCHING, STRAIGHT	1	1	19	165504	HOSE-HYDRAULIC	1	..
3	172747	KNOB	1	1	19	165505	HOSE-HYDRAULIC	..	1
4	□ 172745	LEVER-SELECTOR, CURVED	1	1	20	164655	CABLE-CONTROL	2	..
4	* 172759	LEVER-SELECTOR, STRAIGHT	1	1	20	# 187279	CABLE-CONTROL	2	..
5	174421	BUSHING	2	2	20	165492	CABLE-CONTROL	..	2
6	172748	PIN	1	1	20	132933	CLAMP	..	1
7	221217	SETScrew-5/16 UNC X 1	2	2	20	15552	CAPSCREW-1/4 UNC X 3/4	..	1
7	15001	NUT-JAM, 5/16 UNC	2	2	20	15054	NUT-HEX-1/4 UNC	..	1
8	19981	ROLL PIN-1/8 X 1 1/4	1	1	20	15154	LOCKWASHER-1/4	..	1
9	172751	ROD	1	1	21	15155	LOCKWASHER-5/16	4	4
10	221941	PIN-ROLL, 3/32 X 1	1	1	21	15153	CPSCR.-5/16 UNC X 3/4	4	4
11	172752	LEVER	1	1		172761	DECAL-OPERATING INSTRUCT.	1	1
12	196151	HOUSING	1	1					
13	169782	GAUGE-OIL PRESSURE	1	1					
13	@ 192407	GAUGE-OIL PRESSURE	1	1					
14	172762	FITTING-ELBOW	1	1					
15	95709	ROD END-3/8	2	2					
15	142	PIN-ROD END 3/8	2	2					
15	15212	PIN-COTTER, 3/32 X 3/4	2	2					

*FOR LEFT HAND INSTALLATION ON THE 572E, PIPELAYER, ILLUSTRATED.
 □FOR RIGHT HAND INSTALLATION.
 #FIRST USED ON SERIAL NO. E77P-1950.
 @FIRST USED ON SERIAL NO. E77P-2146.

HYSTER COMPANY
 PARTS OPERATIONS
 Danville, Illinois 61832

HANDLING GEAR

FIRST USED ON SERIAL NO. E77P-2344



KEY
 A-FOR TRACTOR MODEL HD-16B.
 B-FOR TRACTOR MODEL TD-20C.
 C-FOR TRACTOR MODEL D85A.
 D-FOR ALL D7 TRACTOR MODELS.

REF. NO.	HYSTER PART NO.	NAME OF PART	QTY.			
			1	2	3	4
	196462	HANDLEVER-W/O FREESPOOL	1	1	1	1
	227468	HANDLEVER-W/FREESPOOL	1
1	196469	KNOB	1	1	1	1
2	15030	NUT-JAM, 5/8 UNF	1	1	1	1
3	196465	LEVER	1	1	1	1
4	192407	GAUGE-OIL PRESSURE	1	1	1	1
5	14712	CONNECTOR	1	1	1	1
6	15225	COTTER-1/8 X 1 1/2	3	3	3	3
7	196132	SPACER	1	1	1	1
8	196468	PIN	1	1	1	1
9	196134	TUBE	1	1	1	1
10	196114	HOUSING	1	1	1	1
11	196128	PIN	1	1	1	1
12	16445	UNION-BULKHEAD	1	1	1	1
14	196129	U-BOLT	1	1	1	1
15	196130	SPACER	2	2	2	2
16	15155	LOCKWASHER	2	2	2	2
17	203232	CABLE-CONTROL	..	1	1	..
17	196035	CABLE-CONTROL	1
17	* 203227	CABLE-CONTROL	..	1
18	165504	HOSE	1	1	1	1

REF. NO.	HYSTER PART NO.	NAME OF PART	QTY.				
			1	2	3	4	
	19	201847	BRACKET	1
	19	238288	BRACKET	..	1
	19	* 265422	BRACKET	..	1
	19	213135	BRACKET	1	..
	19	261570	BRACKET	1
	20	16805	CAPSCREW-3/8 UNC X 1	5
	20	16828	CPSCR-3/8 UNC X 1 1/4	..	4
	21	15156	LOCKWASHER-3/8	5	4
	22	201848	BRACKET-CABLE SUPPORT	1
	23	221342	NUT-1/4 UNF	1	1	1	1
	24	15056	NUT-3/8 UNC	5	4	4	6
	24	15055	NUT-5/16 UNC	..	4
	25	16805	CAPSCREW-3/8 UNC X 1	4	6
	25	18497	CAPSCREW-5/16 UNC X 1	..	4
	25	16828	CPSCR-3/8 UNC X 1-1/4	..	4	4	..
	26	15156	LOCKWASHER-3/8	4	..	4	4
	26	15155	LOCKWASHER-5/16	..	4
	27	18461	CAPSCREW-1/4 UNF X 3/4	1	1	1	1
		237289	DECAL-OPERATING INSTR.	1	1	1	1

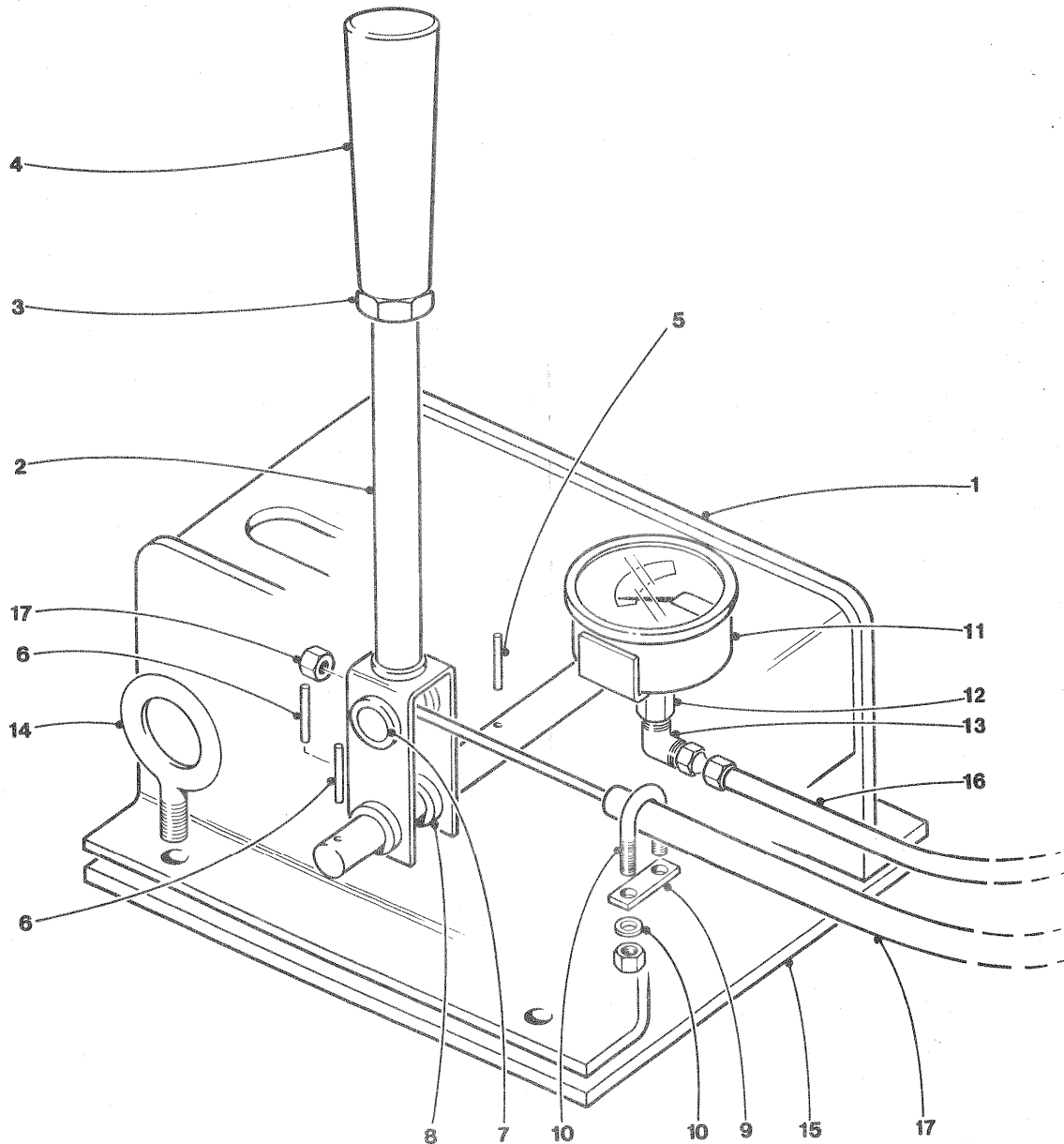
*USED ONLY ON TRACTOR MODEL TD-20E.

HYSTER COMPANY

PARTS OPERATIONS
 Danville, Illinois 61832

HANDLING GEAR

FOR TRACTOR MODEL 82-20.



REF. NO.	HYSTER PART NO.	NAME OF PART	QTY.	REF. NO.	HYSTER PART NO.	NAME OF PART	QTY.
		1 2 3 4				1 2 3 4	
	261131	HANDLEVER ASSEMBLY	1	10	15155	WASHER-5/16	2
1	261127	HOUSING-HANDLEVER	1	11	192407	GAUGE	1
2	260618	LEVER ASSEMBLY	1	12	14345	FITTING-PIPE,	1
3	15030	NUT-5/8 UNF	1	13	14501	FITTING-PIPE, 90 DEGREE	1
4	196469	KNOB	1	14	265408	BOLT-EYE, WITH SHOULDER	4
5	196468	PIN	1	15	265409	PLATE	1
6	15225	PIN-1/8 X 1-1/2	2	16	265325	HOSE	1
7	196128	PIN	1	17	226469	CABLE-PUSH PULL	1
8	196132	SPACER	1	17	221342	LOCKNUT-1/4 UNF	1
9	196130	SPACER	2		265325	CLAMP-TIE	3
10	196129	U-BOLT	1		237289	DECAL-OPERATING INSTRUCTIONS	1

HYSTER COMPANYPARTS OPERATIONS
Danville, Illinois 61832

003 05

OPTIONAL EQUIPMENT

004 01

CABLE GUIDE ROLLERS.....1F03

005 01

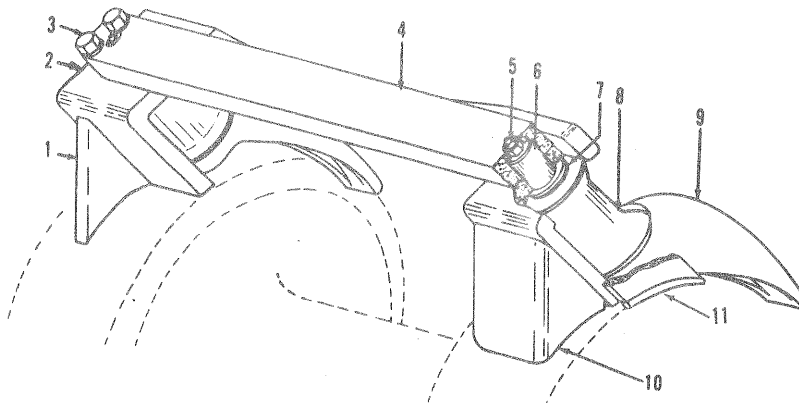
FAIRLEAD.....1F03

006 01

SWIVELING BAR.....1F04

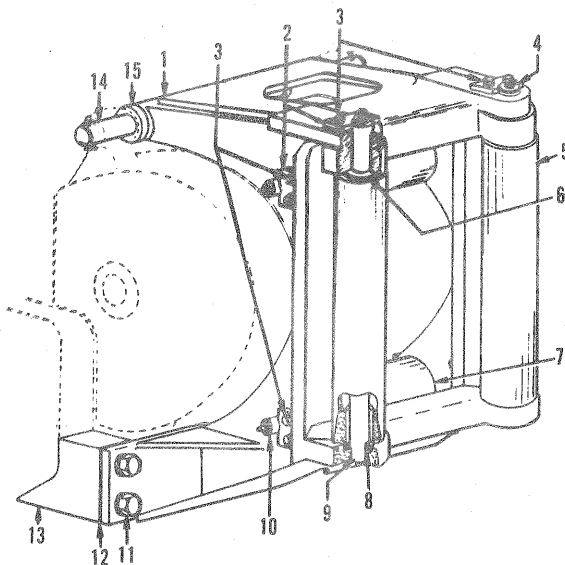
USE HYSTER APPROVED PARTS... it pays

CABLE GUIDE ROLLERS



REF. NO.	HYSTER PART NO.	NAME OF PART	QTY.	REF. NO.	HYSTER PART NO.	NAME OF PART	QTY.
1	95892	GUSSET-R.H. BRACKET	1	6	95669	PIN-ROLLER	2
2	95883 W	BRACKET-R.H. ROLLER	1	7	95668	WASHER	6
2	95891	GUSSET	1	8	59419	ROLLER	2
3	16645	CAPSCREW-1/2 UNF X 1	4	8	35135	BUSHING	4
3	15160	LOCKWASHER-5/8	4	9	95879 W	BRACKET-L.H. ROLLER	1
4	95888 W	GUARD-CABLE	1	10	95890	GUSSET	1
5	16006	FITTING-LUBE	2	11	95889	BAR-FILLER	1

FAIRLEAD



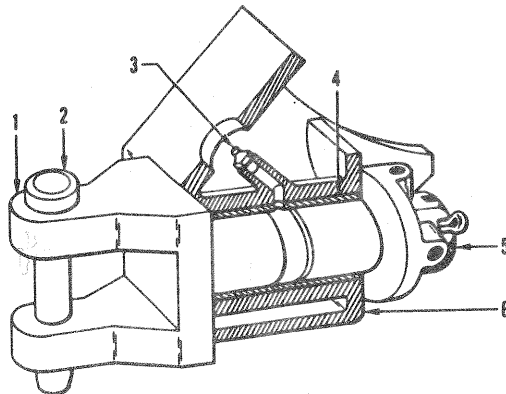
REF. NO.	HYSTER PART NO.	NAME OF PART	QTY.	REF. NO.	HYSTER PART NO.	NAME OF PART	QTY.
1	95785 W	FRAME	1	9	93657	SHAFT-VERTICAL ROLLER	2
2	93166	KEEPER	4	10	93658	SHAFT-HORIZONTAL ROLLER	2
3	37562	CAPSCREW-1/2 UNF X 1-1/4	8	10	92720	WASHER	4
3	15158	LOCKWASHER-1/2	8	11	15571	CAPSCREW-1 UNF X 2-3/4	4
4	16001	FITTING-LUBE	8	11	15166	LOCKWASHER-1	4
5	36206 A	ROLLER-VERTICAL	2	12	93985	SHIM-.134	AR
5	2570	BUSHING	2	13	142809	BRACKET-R.H. MOUNTING	2
6	33394	WASHER	2	14	196279	ROD-TIE	1
7	92212 A	ROLLER-HORIZONTAL	2	14	15272	COTTER-3/8 X 3	2
7	59419	BUSHING	2	15	173607	SPACER	2
8	230336	BEARING-BALL, THRUST	2				

HYSTER COMPANY

PARTS OPERATIONS
Danville, Illinois 61832

SWIVELING DRAWBAR

INCLUDED WITH APPROPRIATE WINCH FRAME



REF. NO.	HYSTER PART NO.	NAME OF PART				QTY.	REF. NO.	HYSTER PART NO.	NAME OF PART				QTY.
		1	2	3	4				1	2	3	4	
1	33787	DRAWBAR				1	4	92671	BUSHING				2
2	95959	PIN-DRAWBAR				1	5	33618	NUT-SPECIAL				1
2	15273	COTTER-3/8 X 2-1/2				1	5	15295	COTTER-1/2 X 5				1
3	16002	FITTING-GREASE				1	6	178025	BRACKET-DRAWBAR				1

HYSTER COMPANY

PARTS OPERATIONS
Danville, Illinois 61832

NUMERICAL INDEX

139-111331.....	.603
112989-196000.....	.604
196003-277490.....	.605

USE HYSTER APPROVED PARTS... *it pays*

NUMERICAL INDEX

PART NO.	PAGE	REF NO.	PART NO.	PAGE	REF NO.	PART NO.	PAGE	REF NO.	PART NO.	PAGE	REF NO.	PART NO.	PAGE	REF NO.
139	1D05	43	15273	1B04	5	18004	1B06	3	62499	1D05	45	95961	1C04	8
142	1E04	15	15295	1F04	5	18005	1B08	2	67355	1C03	11	95969	1C05	6
206	1D13	9	15302	1D03	20	18202	1B09	8	67546	1D12	8	96020	1C03	15
2570	1F03	5	15304	1B04	7	18460	1D09	4	68964	1D14	12	96021	1C04	12
6607	1C07	1	15306	1D09	12	18461	1E05	27	75383	1D05	8	96028	1C04	12
6697	1C07	2	15319	1B04	19	18467	1D09	3	76227	1D06	24	96367	1C03	5
9413	1D13	9	15420	1B07	2	18475	1E01	24	76817	1D06	20	96368	1C03	17
9528	1C03	6	15451	1B09	6	18497	1D07	6	77297	1D05	11	96414	1C05	5
9554	1C03	6	15476	1D09	5	18513	1D14	2	78022	1C07	4	96417	1C05	5
9563	1C03	6	15552	1E04	20	18522	1D03	16	79389	1C03	4	96418	1C04	1
12915	1C05	3	15571	1F03	11	18547	1D12	5	79972	1C05	14	96420	1C07	1
12916	1C03	16	15860	1E03	9	18551	1D08	1	79979	1C06	10	96423	1B04	10
12940	1C06	17	15881	1C07	17	18558	1D11	17	83857	1D07	7	96424	1B04	10
12944	1C03	14	15888	1D11	14	18578	1D06	19	86229	1D03	30	96425	1B04	17
13987	1C03	7	15978	1D09	7	18588	1D03	29	86976	1E02	7	96426	1B04	17
14345	1E06	12	16001	1F03	4	18598	1D03	32	88837	1D08	6	96431	1C04	8
14349	1D03	15	16002	1F04	3	18849	1B05	4	89023	1D04	34	96433	1B04	23
14900	1D05	4	16006	1F03	5	18850	1C07	4	89025	1D03	31	96436	1C07	8
14501	1E06	13	16155	1D05	17	18853	1D03	8	89438	1D06	21	96437 A	1C07	4
14955	1D11	8	16200	1D08	8	18863	1C07	9	89770	1C05	8	96438	1C07	10
14668	1D03	18	16445	1E04	18	18994	1D12	14	89771	1C05	7	96451	1C03	5
14685	1D10	7	16450	1D05	1	19981	1E04	8	89772	1C05	5	96452	1C03	17
14712	1E05	5	16455	1D03	10	19987	1D04	44	89773 A	1C05		96460	1C05	3
14723	1D04	44	16458	1D03	23	21014	1C04	17	89777	1C05	13	96461	1C05	9
14758	1D03	10	16468	1D03	11	21420	1B04	31	89781	1D09	9	96462	1C05	12
14761	1D03	23	16481	1D05	22	27187	1D08	7	92212 A	1F03	7	96463	1C05	15
14763	1D03	11	16484	1D09	4	30059	1C05	7	92606	1B04	2	96464	1C05	11
15001	1D03	8	16485	1D03	24	30080	1C05	7	92620	1C04	2	96466	1C05	4
15004	1D09	3	16486	1D03	15	30091	1C04	3	92621	1C04	4	96467	1C05	2
15006	1B09	8	16487	1D03	25	32415	1E01	27	92623	1B04	24	96468	1C05	1
15015	1D09	16	16543	1D08	2	33394	1F03	6	92671	1F04	4	96469 W	1C04	7
15016	1B08	1	16561	1D07	4	33618	1F04	5	92712	1C07	1	96472	1B04	21
15018	1B05	1	16570	1D05	49	33785	1C03	7	92713	1C07	3	96480	1D03	22
15025	1E04	16	16587	1D03	24	33786	1C03	6	92714	1C07	3	96497 W	1C04	16
15027	1E03	11	16588	1D03	15	33787	1F04	1	92720	1F03	10	96524	1C03	12
15030	1E05	2	16589	1D05	27	35135	1F03	8	92867	1C06	14	96783	1C04	9
15054	1E04	20	16634	1D09	14	35503	1B04	9	93166	1F03	2	96784	1C04	19
15055	1E05	24	16645	1F03	3	35573	1C03	8	93347	1B05	1	96785	1C05	2
15056	1D06	30	16782	1E01	26	36206 A	1F03	5	93657	1F03	9	97553	1C03	7
15057	1D06	10	16805	1D04	42	36240	1B08	3	93658	1F03	10	97950 A	1D09	11
15064	1B04	4	16815	1D11	4	37562	1D03	32	93985	1F03	12	97951 A	1D13	
15078	1D09	6	16823	1C07	4	38760	1D06	18	95486	1D08	4	97952	1D09	13
15135	1D03	29	16828	1D05	14	39369	1D12	3	95499	1C07	3	97953	1D09	1
15153	1E04	21	16829	1D06	7	39376	1E03	27	95581	1C04	3	97954	1D09	11
15154	1D09	3	16830	1D05	46	44310	1D11	14	95668	1F03	7	97955	1D09	2
15155	1D03	16	16870	1D06	17	44316	1C04	14	95669	1F03	6	97956 A	1D09	8
15156	1B09	8	16909	1D03	19	44484	1C07	3	95709	1E04	15	97958	1D09	9
15157	1D06	11	16949	1D08	9	45204	1E01	20	95710	1D08	3	97959	1D09	3
15158	1B04	13	16980	1D08	9	45303	1D09	10	95785 W	1F03	1	97960	1D09	5
15160	1C07	4	16983	1D08	9	46629	1C07	16	95833	1C05	6	97961	1D09	10
15164	1B04	4	17040	1D09	4	53559	1C07	14	95835	1B07	4	97963	1D09	6
15166	1B08	1	17118	1C05	17	54112	1C03	6	95837	1B07	1	97964	1D09	16
15168	1B05	1	17301	1D11	9	55289	1B04	21	95879 W	1F03	9	98362	1C03	3
15170	1B04	32	17307	1D11	15	55434	1B05	2	95883 W	1F03	2	100154	1D04	41
15211	1D03	14	17309	1D03	2	56998	1D10	3	95888 W	1F03	4	104681	1D04	41
15212	1D05	43	17315	1D03	21	58911	1D11	14	95889	1F03	11	104942	1D03	28
15213	1D09	6	17344	1D05	19	58938	1C04	2	95890	1F03	10	109453	1C03	10
15225	1E05	6	17346	1D10	4	59419	1F03	7	95891	1F03	2	109607	1E01	19
15240	1B05	3	18000	1B07	3	60016	1D09	2	95892	1F03	1	111330	1D09	5
15272	1B04	2	18001	1B07	2	60836	1E02	43	95959	1B04	5	111331	1D03	24

HYSTER COMPANY

PARTS OPERATIONS
Danville, Illinois 61832

NUMERICAL INDEX

PART NO.	PAGE	REF NO.	PART NO.	PAGE	REF NO.	PART NO.	PAGE	REF NO.	PART NO.	PAGE	REF NO.	PART NO.	PAGE	REF NO.
112989	1D08	14	134071	1C07	11	149295	1D06	1	170542	1D04	5	181031	1D03	27
115696	1D08	17	134072	1C07	11	149296	1D06	6	170543	1D04	4	181032	1D04	3
115698	1D10	10	134074	1B04	24	149297	1D06	3	170545	1D04	2	181895	1D08	7
118361	1E03	28	134075	1B04	24	149298	1D06	4	170719	1D08	12	183060	1D04	35
118365	1E03	21	134076	1B04	24	151714	1D06	15	170751	1C06	13	183343	1D10	17
118389	1E02	3	134078	1C03	3	155112	1D06	9	170883	1D14	15	183584	1E04	2
123043	1D08	14	134079	1C03	3	155298	1D09	1	170981	1E02	31	184123	1D14	17
123704	1D13	1	134081	1B04	23	156879	1B06	2	170983	1E02	36	184124	1D14	13
124240	1D13	12	134082	1B04	23	158913	1D13		170984	1E02	38	184126	1D14	4
124241	1D13	3	134083	1B04	23	159812	1D04	42	170985	1E02	35	184127	1D14	5
124242	1D13		134107	1B04	21	159858	1E02	9	170986	1E02	40	184128	1D14	6
124245	1D13		134108	1B04	21	159859	1E02	8	170987	1E02	37	184129	1D14	4
124247	1D13	1	134109	1B04	21	160387	1D03	33	170988	1E02	4	184130	1D14	1
124248	1D13	9	134116	1D04	36	160759	1D14	11	170989	1E02	5	184131	1D14	2
124249	1D13		134118	1B09	3	160760	1D14	7	170993	1E02	6	184132	1D14	
125399	1C03	9	134821	1B05	2	160762	1D14	9	170994	1E02	14	184133	1D14	8
126444	1D13	12	136391	1D08	8	161195	1D10	18	170995	1E02	10	184134	1D14	7
126445	1D13	3	137117	1E03	30	161850	1D04	38	170996	1E02	11	184135	1D14	14
127045	1D03	3	138542	1D04	1	161857	1D04	2	170997	1E02	18	184136	1D14	10
127657	1D13	12	138994	1C03	7	163660	1E02	42	171013	1D14	4	184137	1D14	16
127658	1D13	3	139688	1D11	13	164642	1D07	1	171015	1D14	5	184138	1D14	15
127659	1D13		139725	1D08	1	164655	1E04	20	172744	1E04	1	184139	1D14	9
127661	1D13	1	140184	1C06	6	164661	1D09	4	172745	1E04	4	184450	1E02	46
129447	1D13	2	140288	1D05	24	164674	1D12	12	172747	1E04	3	186319	1D04	40
129563	1D11	12	140416	1D12	16	164677	1D12	15	172748	1E04	6	186459	1B04	26
131982	1C07	15	141149	1C07	7	164680	1D03	29	172751	1E04	9	186460	1B04	26
132009	1D03	6	141325	1C07	13	164691	1B04	15	172752	1E04	11	186626	1C03	5
132044	1D08	3	141348	1C05	16	164702	1D03	12	172757	1E04	2	187189	1B04	29
132596	1D14	16	141357	1C07	5	164703	1D03	15	172759	1E04	4	187279	1E04	20
132717	1D14	8	141675	1C07	14	164704	1D03	5	172761	1E04		189085	1E04	
132718	1D14	14	142735	1B04	4	164708	1B04	15	172762	1E04	14	189086	1E04	
132909	1C03	5	142736	1B04	4	165489	1D06	21	173604	1C07	2	189496	1B04	4
132921	1B09	4	142758	1D04	38	165490	1D08	12	173605	1C07	6	189497	1B04	4
132922	1B09	2	142759	1B04	25	165492	1E04	20	173606	1C07	11	192407	1E04	13
132924	1B09	9	142760	1B04	18	165493	1B08	2	173607	1F03	15	192408	1E04	17
132927	1B09	7	142761	1B04	18	165497	1D03	7	173609	1B04	3	192815	1D10	11
132929	1D09	8	142781	1D08	11	165504	1E04	19	174421	1E04	5	192856	1C07	6
132930	1D09	7	142809	1F03	13	165505	1E04	19	174422	1E04	17	192941	1D10	1
132931	1B09	10	142854	1C07	5	165620	1D14	4	174434	1C04	18	192943	1D10	2
132933	1E04	20	143056	1B09	1	165662	1D03	19	174553	1C05	3	192944	1D10	8
132936	1D04	35	143362	1D08	13	166904	1E02	32	174554	1C05		192947	1B05	2
133179	1B08	1	144731	1C07	5	166905	1E02	25	174559	1C04	5	192948	1B06	1
133529	1B09	5	145344	1D13		166906	1E02	26	174560	1C04	4	192949	1B05	6
133683	1D03	14	145347	1D08	7	166909	1E02	22	174561	1C04	17	192956	1B04	18
133898	1C03	13	145350	1D08	11	166910	1E02	24	175167	1D06	31	193912	1C06	3
133913	1B04	12	145351	1D08	6	166911	1E02	27	177369	1D04	43	195389	1D12	2
133914	1B04	12	145381	1D13		166912	1E02		177409	1D04	36	195390	1D12	3
133915	1B04	12	145382	1D13		166913	1E02	20	177410	1D03	31	195391	1D12	4
133917	1C05	10	145476	1D08	8	166914	1E02	28	177947	1D12	1	195392	1D12	7
133918	1C05	4	145477	1D08	5	166917	1E02	4	177949	1C07	4	195393	1D12	13
133925	1C06	11	145478	1D08	4	166920	1E02	12	178020	1B04	4	195394	1D12	12
133926	1C06	16	145479	1D08	2	166922	1E02	29	178025	1B04	4	195816	1D11	5
133927	1C06	15	146385	1D08	10	168730	1D03	25	178106	1B04	27	195990	1E03	2
133929	1C06	19	146896	1D13		168736	1D03	26	178402	1B04	30	195991	1E03	4
133930	1C06	8	147401	1D13		168737	1D03	13	178403	1B04	11	195992	1E03	7
133931	1C06	5	147461	1D06	1	168741	1E02		178921	1D06	26	195993	1E03	8
133936	1C06	4	147463	1D06	5	169268	1D04	37	179443	1B04	16	195995	1E03	12
133943	1D03	4	147965	1D08	6	169671	1C03	11	179939	1D04	38	195997	1E03	20
133968	1D04	35	148978	1D06	22	169782	1E04	13	179940	1D04	38	195999	1E03	17
134070	1C07	11	148980	1D06	22	170233	1D04	40	179942	1D04	35	196000	1E03	18

HYSTER COMPANY

PARTS OPERATIONS
Danville, Illinois 61832

NUMERICAL INDEX

PART NO.	PAGE	REF NO.	PART NO.	PAGE	REF NO.	PART NO.	PAGE	REF NO.	PART NO.	PAGE	REF NO.	PART NO.	PAGE	REF NO.
196003	1E03	15	198069	1D05	30	229354	1D10	13	255443	1D07				
196004	1E03	10	198385	1D05	47	229355	1D10	14	257347	1D05	48			
196006	1E03	1	198873	1B04	28	229356	1D10	15	258218	1E03	16			
196007	1E03	6	198929	1B06	4	229357	1D10	16	258219	1E03				
196009	1E03	26	199015	1D14	10	229358	1D10	16	258226	1E03	17			
196013	1E03	3	199037	1D14	13	229359	1D10	18	259075	1D07	10			
196015	1D05	18	199038	1D14	3	230064	1B05		260618	1E06	2			
196020	1D05	15	199039	1D14	6	230309	1C04	3	261127	1E06	1			
196021	1D05	12	199040	1D14	1	230310	1C05	2	261131	1E06				
196022	1D05	15	199041	1D14	18	230311	1C05	2	261540	1D11	13			
196023	1B04	10	199042	1D14		230336	1F03	8	261541	1D11	13			
196024	1B04	10	199594	1C06	1	230351	1C04	1	261542	1C06	18			
196026	1C06	2	201776	1D06	23	230405	1C04	1	261544	1C06	7			
196028	1D05	26	201814	1B04	6	230407	1C04	6	261570	1E05	19			
196031	1D05	25	201847	1E05	19	232797	1E01	3	262092	1E03				
196032	1D05	23	201848	1E05	22	232799	1E01	5	262094	1E03	16			
196033	1D05	32	203227	1E05	17	233492	1E02	2	265325	1E06				
196035	1E05	17	203230	1D10	6	233495	1E02	33	265401	1C06	4			
196114	1E05	10	203232	1E05	17	233502	1E02	15	265402	1C06	8			
196128	1E05	11	213032	1C03	5	233503	1E02	16	265403	1C06	19			
196129	1E05	14	213034	1B06	1	233505	1E02	45	265408	1E06	14			
196130	1E05	15	213035	1B06	4	233506	1E02	44	265409	1E06	15			
196132	1E05	7	213041	1D12	4	233508	1E02	19	265422	1E05	19			
196134	1E05	9	213047	1D12	2	233693	1E02	1	266832	1D05	39			
196151	1E04	12	213135	1E05	19	233696	1E02	19	266834	1D11	11			
196278	1B04	3	213138	1C03	7	234823	1E02	17	267522	1C06	5			
196279	1B04	2	213139	1C03	6	235933	1D13	13	277489	1D07	10			
196376	1C04	11	216222	1C03	3	236417	1D05	44	277490	1D07	13			
196377	1C04	13	216224	1B05	1	237289	1E05							
196379	1B04	12	216225	1B05	3	237379	1D05	22						
196462	1E05		216226	1B05	2	238288	1E05	19						
196465	1E05	3	216227	1B05	5	238992	1E03	22						
196468	1E05	8	217118	1E03	16	238993	1E03	16						
196469	1E05	1	217120	1E03		239510	1D08	9						
196993	1E01	1	219343	1D11	10	239885	1D07	8						
196994	1E01	2	219368	1D10	6	241746	1D12	9						
196995	1E01	4	219369	1D05	39	242832	1C07	1						
196996	1E01	6	219373	1D10	10	242839	1C07	6						
196998	1E01	8	219374	1D10	6	244427	1D11	4						
196999	1E01	9	221217	1E04	7	244430	1D11	19						
197000	1E01	8	221342	1E05	23	244434	1D11	1						
197001	1E01	10	221503	1D11	18	244437	1B04	32						
197002	1E01	11	221711	1D10	3	244506	1D11	2						
197003	1E01	12	221725	1B07	1	246000	1D12	14						
197004	1E01	13	221775	1C06	1	246001	1D12	15						
197005	1E01	14	221941	1E04	10	250564	1D11	7						
197006	1E01	15	222087	1B04	16	250718	1D14	3						
197008	1E01	16	222091	1B04	11	252114	1C06	9						
197009	1E01	12	223248	1D12	11	253026	1D05	39						
197010	1E01	17	223453	1B05	3	253030	1C03	5						
197011	1E01	18	226413	1D11	8	253031	1B07	4						
197016	1E01	21	226462	1D11	2	253034	1B04	10						
197017	1E01	22	226467	1D11	14	253037	1D11	10						
197018	1E01	23	226468	1D11	14	253038	1D11	11						
198062	1D05	2	226469	1E06	17	253797	1C03	5						
198063	1D05	6	227468	1E05		253812	1B04	25						
198064	1D05	3	229350	1D10	11	253817	1B06	4						
198065	1D05	5	229351	1D10	3	255100	1D11	14						
198066	1D05	29	229352	1D10	3	255106	1C03	5						
198068	1E03	29	229353	1D10	12	255436	1D07							

HYSTER COMPANY

PARTS OPERATIONS
Danville, Illinois 61832