

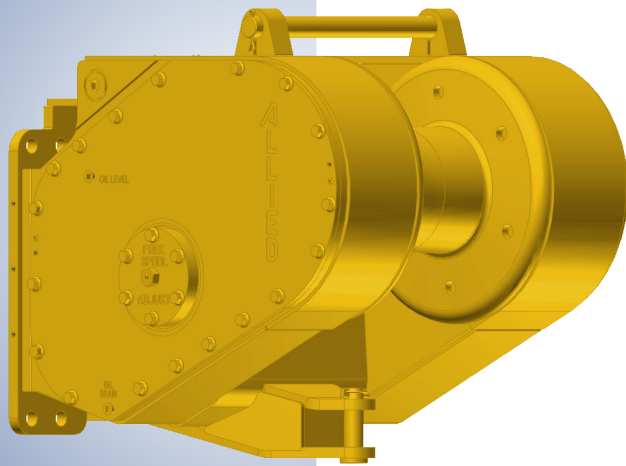


Parts Manual

Allied H4A

Hydraulic Winch

for Dressta Dozers



Please check the Allied Systems website
regularly for updates to this manual.
www.alliedsystems.com

Customer Edition

Safety Precautions

Read, understand and observe the Safety Summary on pages 1 through 3 to prevent injury to personnel and damage to equipment.

Winch serial number _____

Date put into service _____

NOTE: This publication may be translated to different languages for sole purpose of easy reference in non-English speaking locations.

Should there be differences in interpretations to the text, please refer to the English language edition published by Allied Systems Company as the controlling document.

Index

H4A Winch Parts for Dressta Dozers

Safety Summary	1
Unit Identification	4
Using this Manual	5
Oil Specifications	6
Ordering Parts	7
Nameplate & Decals	8
Section 1 Frame/Covers/Mounting Parts	9
Section 2 Gear/Shaft Train	25
Section 3 Hydraulics/Electrical/Controls	37
Section 4 Optional Equipment	75
Section 5 Recommended Service Parts	79
Numerical Index	86

Safety Summary

General Safety Notices

The following pages contain general safety warnings which supplement specific warnings and cautions appearing elsewhere in this manual. All electrical and hydraulic equipment is dangerous. You must thoroughly review and understand the Safety Summary before attempting to operate, troubleshoot or service this winch.

The following symbols and terms are used to emphasize safety precautions and notices in this manual:

DANGER

The “DANGER” symbol indicates a hazardous situation which, if not avoided, will result in serious injury or death. Carefully read the message that follows to prevent serious injury or death.

WARNING

The “WARNING” symbol appears wherever incorrect operating procedures or practices could cause serious injury or death. Carefully read the message that follows to prevent serious injury or death.

CAUTION

The “CAUTION” symbol appears where a hazardous situation which, if not avoided, could result in minor to moderate injury and equipment damage.

NOTICE

This signal word alerts to a situation that is not related to personal injury but may cause equipment damage.

NOTE: ...

The term “NOTE” highlights operating procedures or practices that may improve equipment reliability and/or personnel performance.

Safety Regulations

Each country has its own safety legislation. It is in the operator’s own interest to be conversant with these regulations and to comply with them in full. This also applies to local bylaws and regulations in force on a particular worksite.

Should the recommendations in this manual deviate from those in the user’ country, the national regulations should be followed.

Operation, Inspection, and Maintenance Warnings

WARNING

Multiple hazards.

Ignoring safety warnings may cause equipment damage, personal injury or death.

All possible safety hazards cannot be foreseen and included in this manual. The operator must always be alert to possible hazards that could endanger personnel or damage the equipment.

Training

- Do not operate the winch unless your are authorized and trained to do so.
- Read, understand, and follow the operating, inspection, and maintenance instructions in this manual.
- Keep yourself informed of any applicable codes, regulations and standards for the job.

Personnel Safety

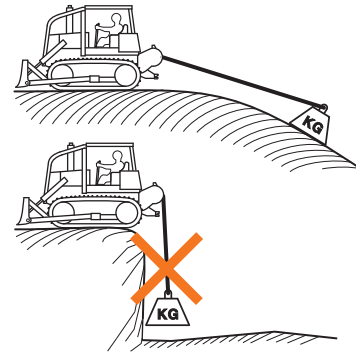
- Stay in the operator’s seat when operating the winch.
- Do not stand on the vehicle when operating the winch.
- Avoid winch operation near people or other machines.
- Never stand nor permit others to stand in the bight (loop) of a wire rope.

- Do not stand nor permit others to be near the winch or wire rope when there is tension on the wire rope.



- Make sure ground personnel are in plain view of the operator, and at a distance of at least 1½ times the working length of the wire rope.
- Observe jobsite rules.
- Do not use the control levers for hand holds when entering or leaving the vehicle.
- Be in complete control at all times.
- Do not use the control levers as hangers for clothes, water bags, grease guns, lunch pails, etc.
- Do not leave the vehicle when the winch wire rope is under tension.
- Do not permit riders on the vehicle or load.
- Operation Warnings
- Do not operate the winch unless the vehicle is equipped with a screen to protect the operator if the wire rope breaks.
- Be aware of the ground conditions, and make sure the ground and tractor are stable enough to pull the intended load.
- Do not attempt to pull loads in excess of the rated capacity of the winch.
- Make sure that any hand signals used by ground personnel are clearly defined and understood by everyone involved.
- Do not attempt to “jerk” or “shock” a load free. Doing so can cause loads in excess of the rated capacity of the wire rope, winch, or mounting hardware.

- Your winch may have temperature shut-off system for protection of tractor and winch. Manual override of high temperature shut-off will cause damage to tractor and winch.
- This winch is neither intended, designed, nor rated for any application involved in the lifting or moving of personnel.
- Do not use the winch as an anchor for a double or two-part line.
- Do not pull the hook through the throat or over the drum, which will cause damage.
- When the winch is not in use, make sure the control lever is in **BRAKE-ON** position and the winch brake is applied.
- Do not use winch as a hoist. Tractor and skidder mounted winches are designed for towing.



Wire Rope Safety

- Always inspect wire rope, tail chain and other rigging components for wear, damage, broken strands or abuse before use.
- Never use wire rope, tail chain or other rigging that is worn-out, damaged or abused.
- Never overload wire rope, tail chain or rigging.
- Wire rope and tail chain will fail if worn-out, overloaded, misused, damaged, improperly maintained or abused.

WARNING

Wire rope or tail chain failure may cause serious injury or death.

Inspect rigging before use and obey all safety warnings.

- Do not terminate wire rope to tail chain by the use of a knot.
- Do not handle wire rope if the hook end is not free. A load could break away, suddenly tensioning the wire rope, resulting in serious injury or death.
- Stay clear of wire rope entry areas (fairlead or arch rollers, winch drum etc).
- Maintain a **minimum of three (3) complete wraps of wire rope** on the drum for normal operation. It may help to paint the last five wraps of wire rope a contrasting color, to serve as a visual indicator.
- Do not handle wire rope with bare hands. Wear leather gloves at all times.
- Align the tractor with the load to prevent side loading the winch, and to maintain even spooling of the wire rope.
- If applying tension to the wire rope manually during spooling:
 - ... ensure that the operator is winching in slowly,
 - ... keep your hands and clothing well clear of any rollers or the winch drum,
 - ... do not maintain tension by letting the wire rope to slip through your hands,
 - ... use a hand-over-hand technique to maintain tension.
- The hydraulic system must be kept clean and free of contamination at all times.
- Do not weld on any part of the winch. Contact Allied Systems if weld repairs are needed.

Hydraulic Hazards

- Wear personal protective equipment, such as gloves and safety glasses, whenever servicing or checking a hydraulic system.
- Assume that all hydraulic hoses and components are pressurized. Relieve all hydraulic pressure before disconnecting any hydraulic line.
- Never try to stop or check for a hydraulic leak with any part of your body; use a piece of cardboard to check for hydraulic leaks.
- Small hydraulic hose leaks are extremely dangerous, and can inject hydraulic oil under the skin, even through gloves.



DANGER

Injection hazard.

Infection and gangrene will result when hydraulic oil penetrates the skin. See a doctor immediately to prevent loss of limb or death.

Use a piece of cardboard to check for hydraulic leaks.

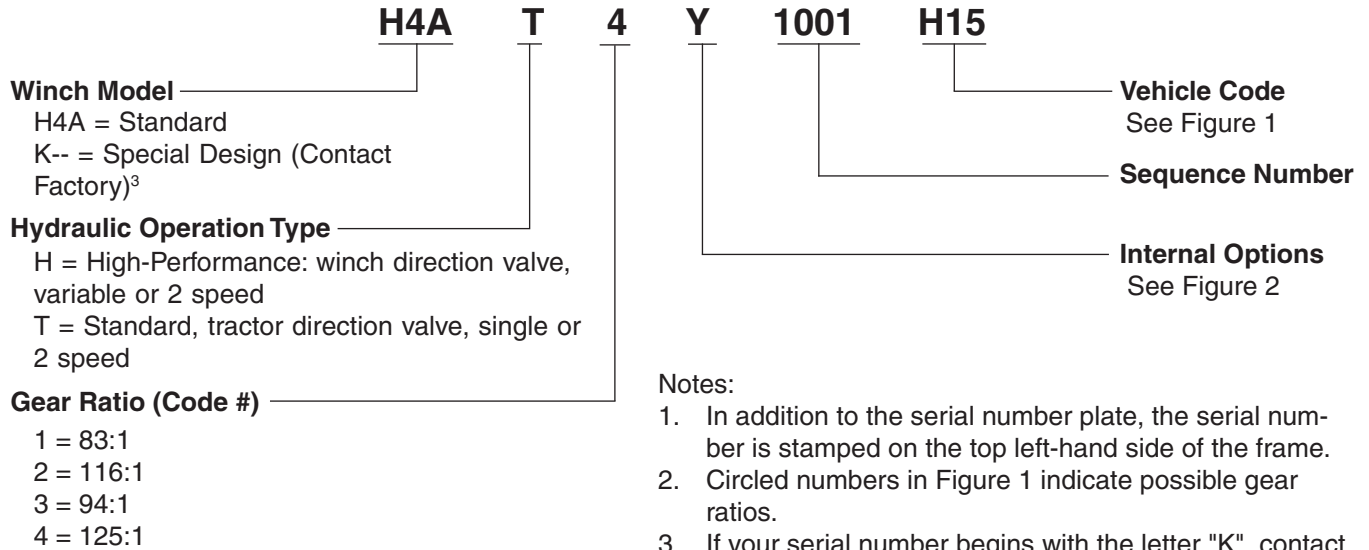


Maintenance Warnings

- Do not permit other people near the control area when you inspect or repair a machine.
- Never inspect, repair, or perform maintenance on a machine that is in motion.
- Inspect the winch before each use:
 - ... Make sure that the controls and instruments operate correctly.
 - ... Report the need for repairs immediately.
 - ... Do not work with a damaged or worn wire rope.
 - ... Do not use a winch that needs repairs.
 - ... If the wire rope and ferrule must be removed from the drum, make sure the end of the wire rope and ferrule are controlled when the ferrule is released. The end of the wire rope can suddenly move from the drum like a compressed spring when the ferrule is released, and cause an injury.
- Replace any parts only with genuine Allied Winch parts.
- Use only the lubricants listed in the Recommended Oil List. See page 8.

Unit Identification

Allied Winch Serial Number Nameplate Data For Dressta Dozer Mountings



Notes:

1. In addition to the serial number plate, the serial number is stamped on the top left-hand side of the frame.
2. Circled numbers in Figure 1 indicate possible gear ratios.
3. If your serial number begins with the letter "K", contact the factory for parts and service information.
4. If your serial number ends with the letter "M", contact the factory for parts and service information.

C O D E	H Dressta
15	TD7S/TD8S ④
16	TD9S ④

Figure 1, Dozer or Skidder Identification Codes and Available Gear Ratios

Circled numbers in Figure 1 indicate possible gear ratios.

	Y	C
Freespool	X	
External (Pump) Hydraulics (Non-SCH)	X	
Power Forward & Reverse (PFR)	X	
Open Frame	X	
Integral Mounting Plate, Fairlead, Manual Freespool		X

Figure 2, Internal Options

Using this Manual

When the part number and the next higher assembly is not known:

1. Determine the function and application of the part required. Turn to the illustrated index page immediately behind the front cover, and select the most appropriate area.
2. Use the table of contents at the beginning of each chapter to determine the assembly which would normally contain the part required. Proceed then to locate the part on the assembly breakdown page.

When the part number is not known and the next higher assembly is known:

1. Determine the assembly the required part is used on. Turn to the master index (which immediately follows the illustrated index).
2. Locate the assembly on which the required part is used, and turn to the page indicated for that assembly. Proceed to locate the part on the assembly breakdown page.

When the part number is known:

Use the numerical index to find the part number. Turn to the page listed and locate the part as indicated by the reference number.

General:

The assembly breakdowns include part numbers, descriptions, quantities required, keys and footnotes to help in selecting the correct parts.

Keys are used to show effective serial numbers for two or more similar assemblies, LH and RH assembly parts, etc. Select the appropriate key, "A," "B," "C," or "D" and the corresponding quantity column to find the required parts.

Indent dots are used to indicate assemblies and sub-parts of assemblies. No dot indicates the major assembly. Part descriptions which are indented with dots are sub-parts of the major assembly shown above.

Quantities shown are for one assembly. Note that when two assemblies are shown, but the quantity of the sub-parts is indicated as three, this means three per assembly, for a total of six. AR means As Required, and NSS indicates Not Sold Separately.

Serial numbers are shown to allow for the most current parts information to be incorporated into the parts manual. See page 4 for serial number information.

Abbreviations

Abbreviations are used both on the winch and in this manual. For example, a manifold may have a port stamped "FS". That port is related to the "freespool" circuit. This abbreviation is also used on pages in this manual that reference this port, or the ports connected to this port. Figure 3 lists the most common abbreviations used in this manual.

Abbreviation	Full Name
P	Pressure
T	Tank
BO	Brake Off
FA	Filter Outlet
FE	Filter Inlet
FS	Freespool
HS	High Speed
LS	Load Sense
PD	Pilot Drain
PP	Pilot Pressure
PS	Pilot Supply
RI	Reel In
RO	Reel Out
TP	Test Port
TS	Temperature Switch

Figure 3, Abbreviations

Oil Specifications

Oil Selection

Winch Type	Winch Oil Capacity	Winch Housing Oil	Hydraulic Circuit Oil
SCH Model (Internal Option Code R)	14 Gal (54L)	See Recommended Oils in Figure 5 (Winch housing is oil reservoir for pump)	
Non-SCH, Open Frame Model (Internal Option Code Y)	4 Gal (15L)	See Recommended Oils in Figure 5	Use Recommended Tractor Oil Only

Figure 4 - Recommended Oils - 1

Recommended Oils* - General Conditions			
Manufacturer	Oil Type	Ambient Temperature Range	
		°F	°C
ExxonMobil	Mobil Fluid 424 (Factory fill)	-13 to 104	-25 to 40
John Deere	Hy-Gard™	-13 to 122	-25 to 50
Chevron	1000 THF	-13 to 104	-25 to 40
Caterpillar	Multipurpose Tractor Oil (MTO)	-13 to 104	-25 to 40
Case	Hy-Tran Ultra	-20 to 122	-29 to 50
Recommended Oils* - Low Temperature Conditions			
Manufacturer	Oil Type	Ambient Temperature Range	
		°F	°C
ExxonMobil	Mobil Fluid LT	-40 to 86	-40 to 30
John Deere	Low Viscosity Hy-Gard	-40 to 86	-40 to 30
Chevron	THF W	-40 to 86	-40 to 30

* Note: Use of a non-recommended oil may void warranty.

** For winches using tractor-supplied hydraulics for winch operation, recommended oil is used only in the winch gear case.

Figure 5, Recommended Oil List

Ordering Parts

When ordering replacement parts, give the unit serial number, part number, name of part and quantity required.

For any further information on parts, service or ordering, consult your local winch dealer, or contact Allied Systems Company:

Allied Systems Company
21433 SW Oregon Street
Sherwood, OR 97140 U.S.A.

Phone: 503-625-2560

Fax: 503-625-5132

E-mail: parts@alliedsystems.com

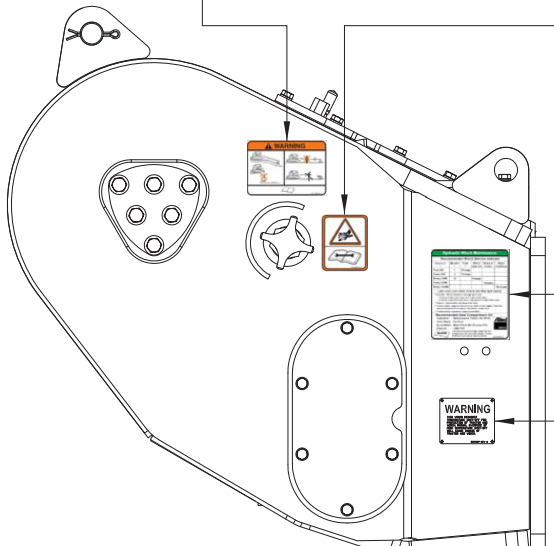
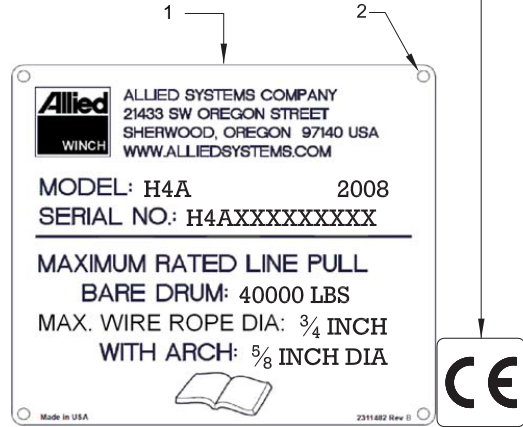
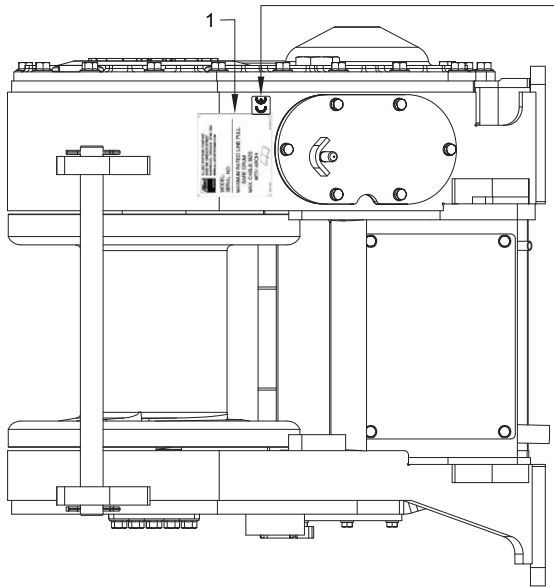
Also see our website, www.alliedsystems.com, where the most current copy of this manual is always available.

NOTE: This publication may be translated to different languages for sole purpose of easy reference in non-English speaking locations. Should there be differences in interpretations to the text, please refer to the English language edition published by Allied Systems Company as the controlling document.

Nameplate & Decals

Winches with Open Frames H4AY

CONTACT ALLIED SYSTEMS WINCH DEPARTMENT IF THE CE MARK LABEL IS NEEDED.



Item	Part No.	Qty	Description	Item	Part No.	Qty	Description
1	*	1	Nameplate	5	2311329	1	Decal, Maintenance
2	16602W	4	Screw	11	2307637W	1	Plate, Warning
3	1321665W	1	Decal, Warning	12	16602W	4	Screw
4	2311330	1	Decal, Load & Wire Rope				

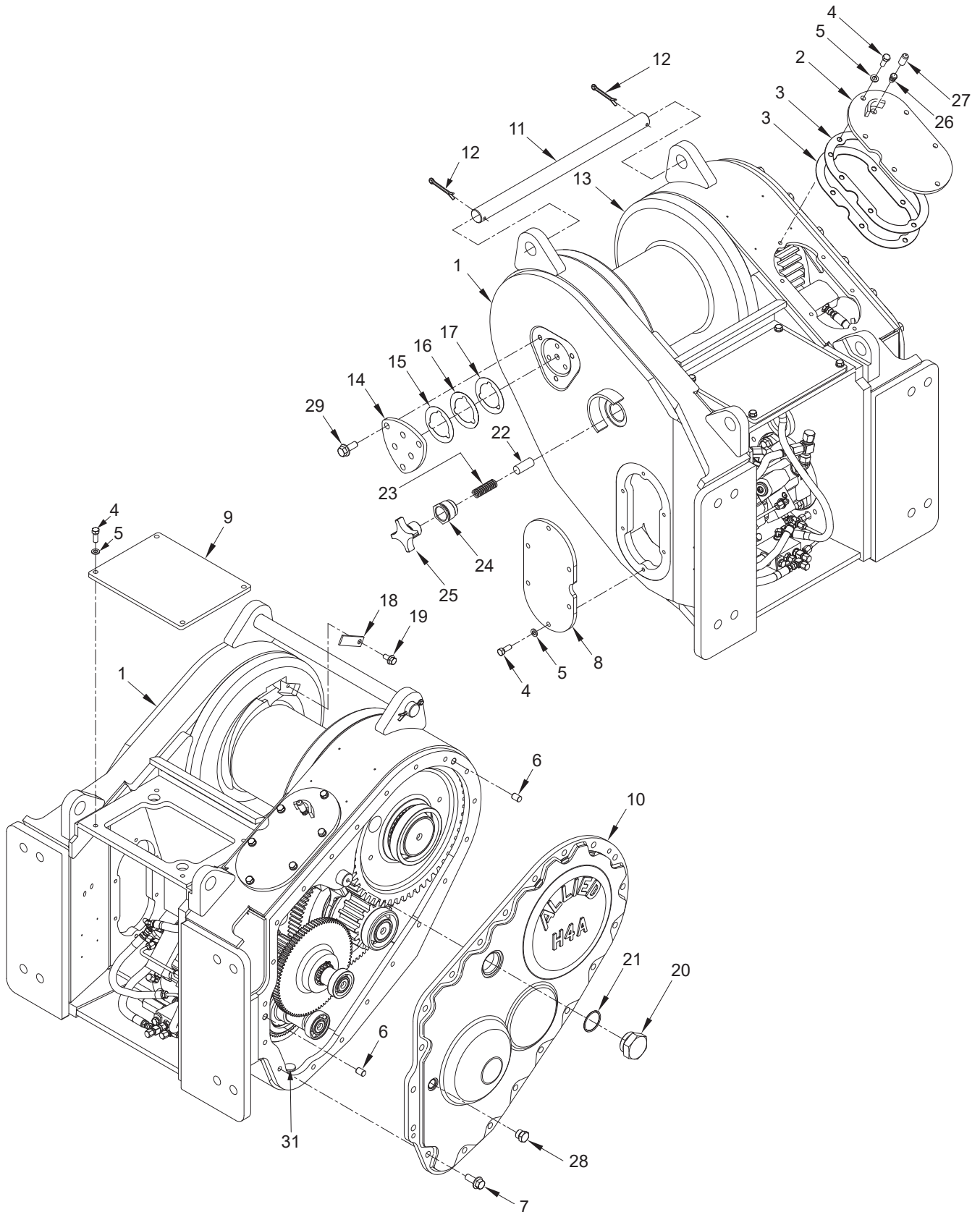
*Contact Factory

Section 1
Frames/Covers/Mounting Parts

Frame and Covers

Dressta TD7/8/9S (H4AT4Y**H15, H4AT4Y**H16)

Page 1 of 2



Frame and Covers

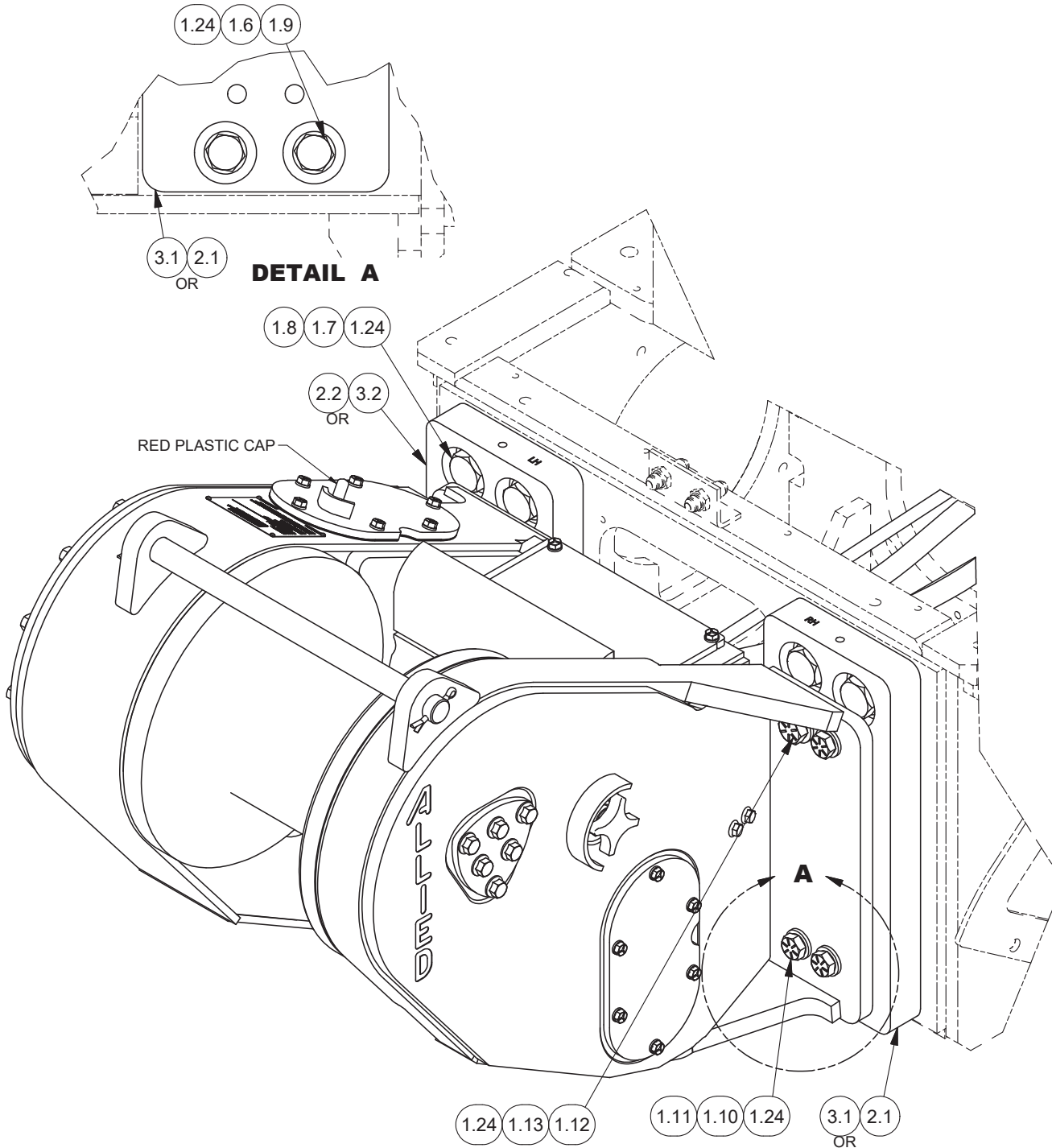
Dressta TD7/8/9S (H4AT4Y**H15, H4AT4Y**H16)

Page 2 of 2

Item	Part No.	Qty	Description	Item	Part No.	Qty	Description
1	2312989	1	Frame	17	2304124W	AR	Shim, .020
2	2305663W	1	Cover, Breather	18	1314503W	1	Keeper, Ferrule
3	2315377	2	Gasket, Breather	19	134803W	1	Screw, Flange
4	179443W	16	Capscrew	20	2304174W	1	Plug, Freespool Shaft
5	15156W	16	Washer	21	16984W	1	O-Ring
6	176208W	2	Pin	22	2311889	1	Pad, Freespool Drag
7	2303848W	20	Screw, Flanged	23	1314502W	1	Spring, Freespool Drag
8	*a 2304099W	1	Cover	24	2300174W	1	Insert
9	2305662W	1	Cover, Top	25	1314547W	1	Knob, Freespool Drag
10	*a 2304092W	1	Cover, LH	26	21420W	1	Plug, Breather
11	2305020W	1	Bar, Tie (Except w/ Arch)	27	2300962W	1	Cap, Breather
12	15256W	2	Pin (Except w/Arch)	28	14595W	1	Fitting, O-Ring
13	2304069W	1	Drum	29	2303848W	16	Screw, Flanged
14	2304070W	1	Cover, Drum Shaft	31	R525293	1	Magnet
15	2304122W	AR	Shim, .005				
16	2304123W	AR	Shim, .007	*a	Use 313022W Adhesive		

Mounting Parts

Dressta TD7/8/9S (H4AT4Y**H15, H4AT4Y**H16)

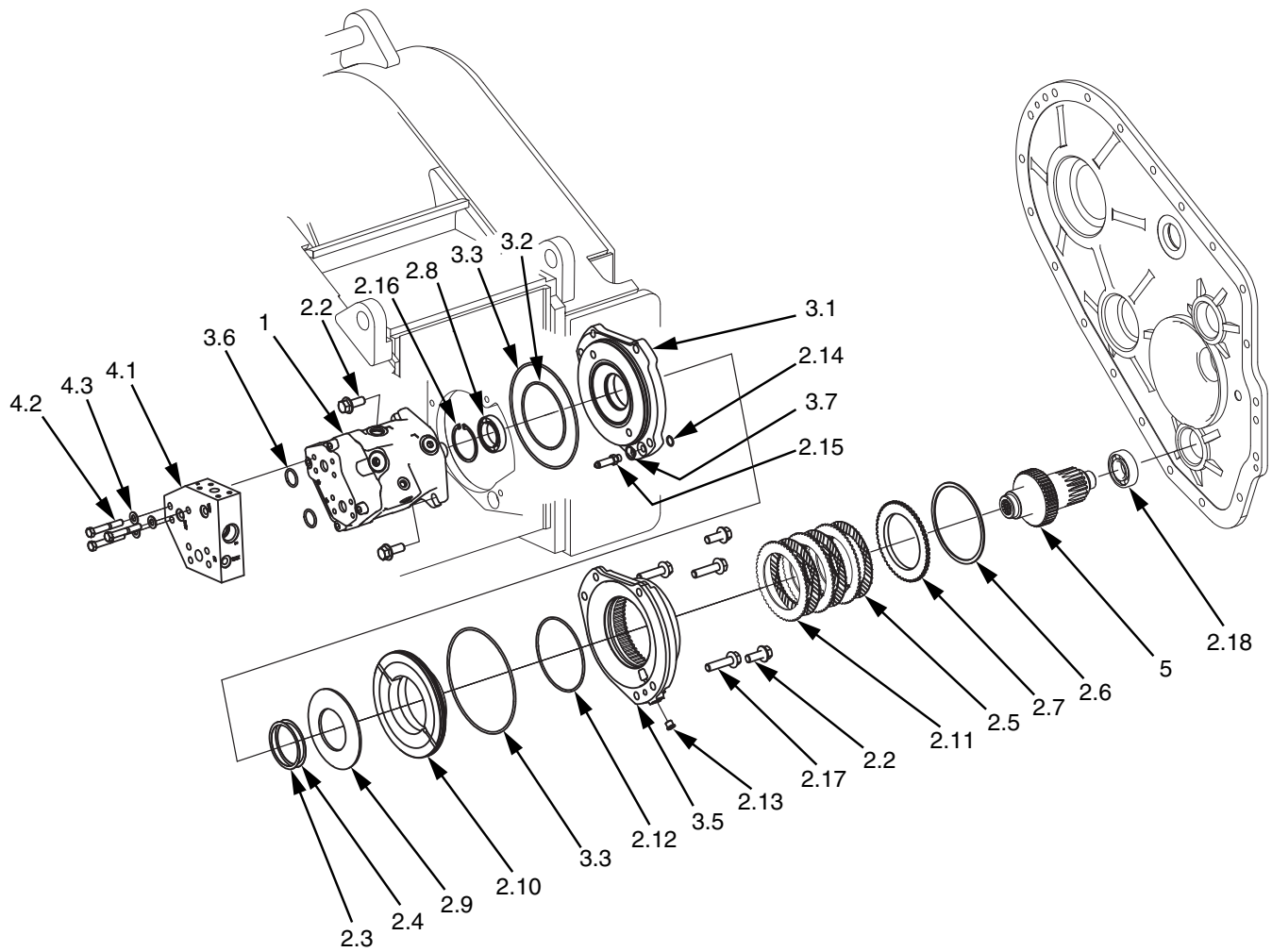


Item	Part No.	Qty	Description	Item	Part No.	Qty	Description
1.6	296430W	4	. Washer	1.24	318702W	AR	. Threadlock
1.7	296438W	4	. Washer	2.1	*a 2316219	1	Mounting Bracket, RH
1.8	Y19C-M3080	4	. Capscrew	2.2	*a 2316220	1	Mounting Bracket, LH
1.9	293710W	4	. Capscrew	3.1	*b 2316542	1	Mounting Bracket, RH
1.10	221777W	6	. Washer	3.2	*b 2316543	1	Mounting Bracket, LH
1.11	Y17C-1236	6	. Capscrew				
1.12	221672W	2	. Capscrew	*a	H15 only		
1.13	R13813326	2	. Washer	*b	H16 only		

Section 2
Gear/Shaft Train

Motor Shaft Assembly

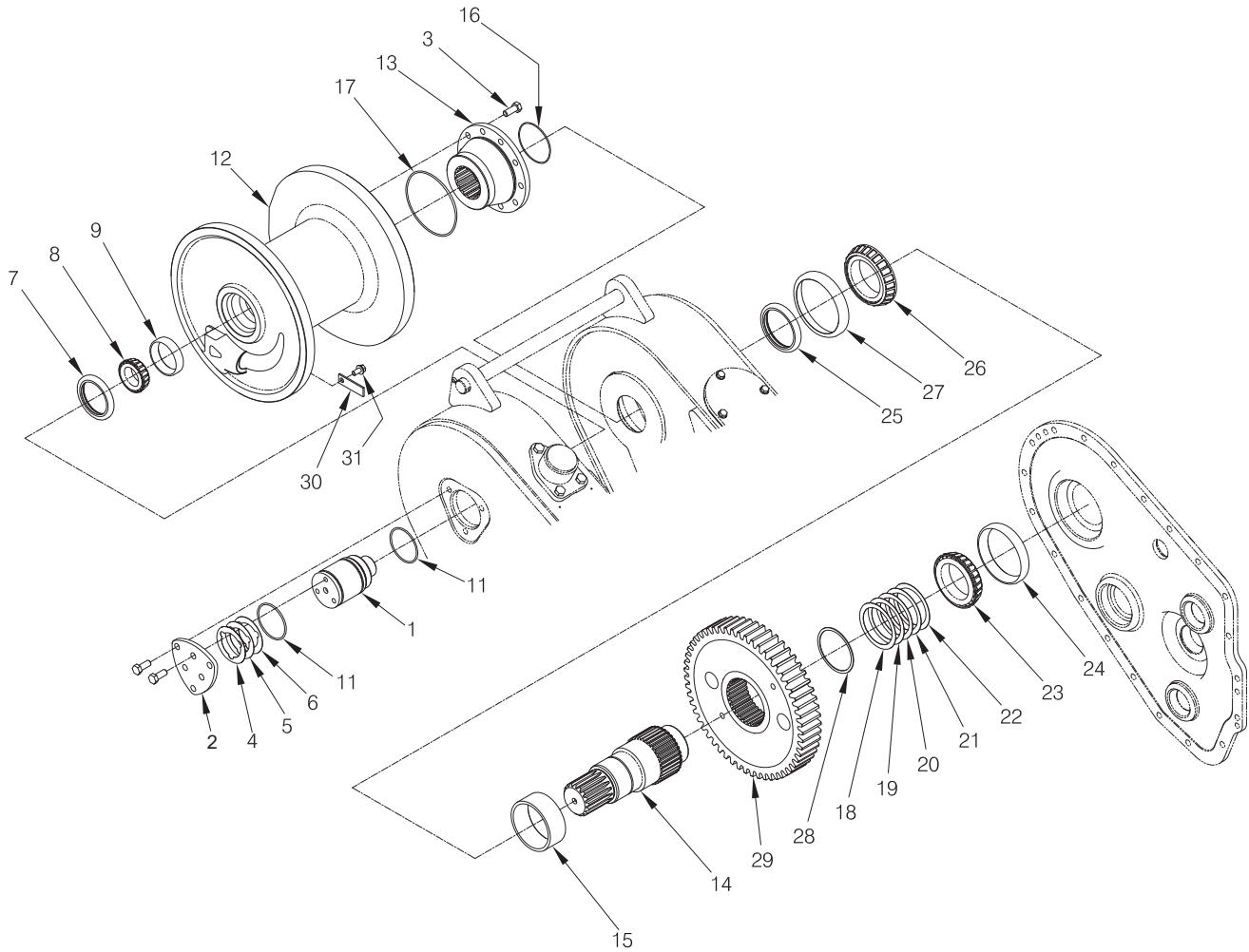
Dressta



Item	Part No.	Qty	Description	Item	Part No.	Qty	Description
1	2303788W	1	Motor, Hydraulic	2.16	12921W	1	Snap Ring
2.2	2303848W	4	Screw, Flange	2.17	918906W	3	Screw
2.3	*a 2304711W	A/R	Shim, 0.005"	2.18	*a 41206W	1	Bearing - Ball
2.4	*a 2304712W	A/R	Shim, 0.007"	3.1	2305651W	1	Plate - Mounting, Motor
2.5	*a 2304873W	3	Disc, Friction	3.2	*b 15888W	1	O-Ring
2.6	334475W	1	Ring - Snap, Int	3.3	*a*b 2316507	2	O-Ring
2.7	334442W	1	Plate, Pressure	3.5	2316526	1	Housing - Brake
2.8	*a 2300831W	1	Bearing - Ball	3.6	*b 2304110W	2	O-Ring
2.9	2303845W	1	Spring, Belleville	3.7	*b 17064	1	O-Ring
2.10	2316525	1	Piston - Brake	4.1	2307568W	1	Assy - Manifold (see p.)
2.11	*a 2304874W	3	Plate, Separator	4.2	180959W	3	Capscrew
2.12	*a*b 2316517	1	O-Ring	4.3	221767W	3	Hard Washer
2.13	222442W	1	Fitting	5	2311305	1	Motor Shaft, 15T (125:1)
2.14	212456	1	O-Ring				
2.14	*b 26883	1	O-Ring				
2.15	16547W	1	Fitting				

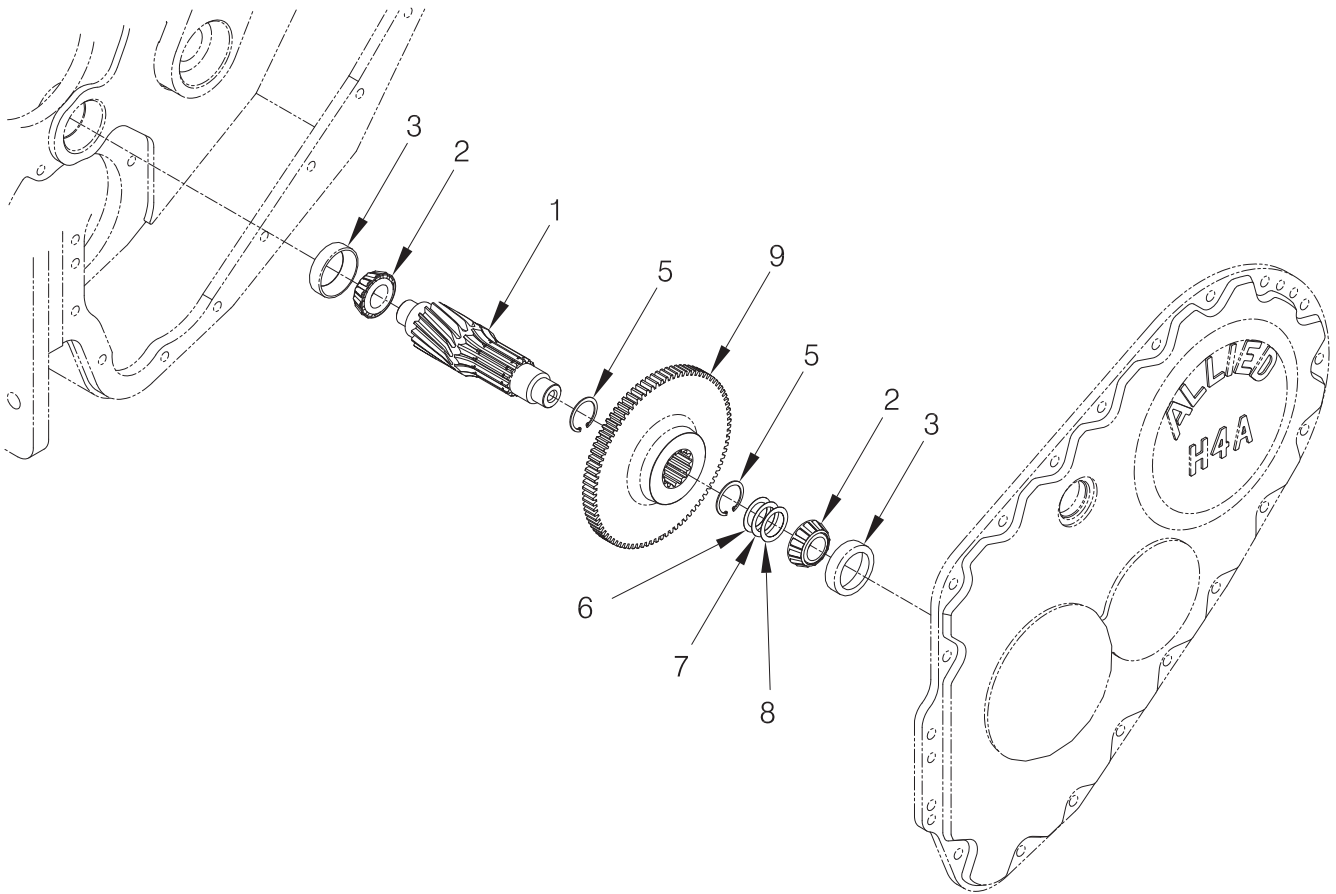
*a Included in Brake Kit 2306545W
 *b Included in Motor Shaft Rebuild Kit 2315351

Drum Shaft



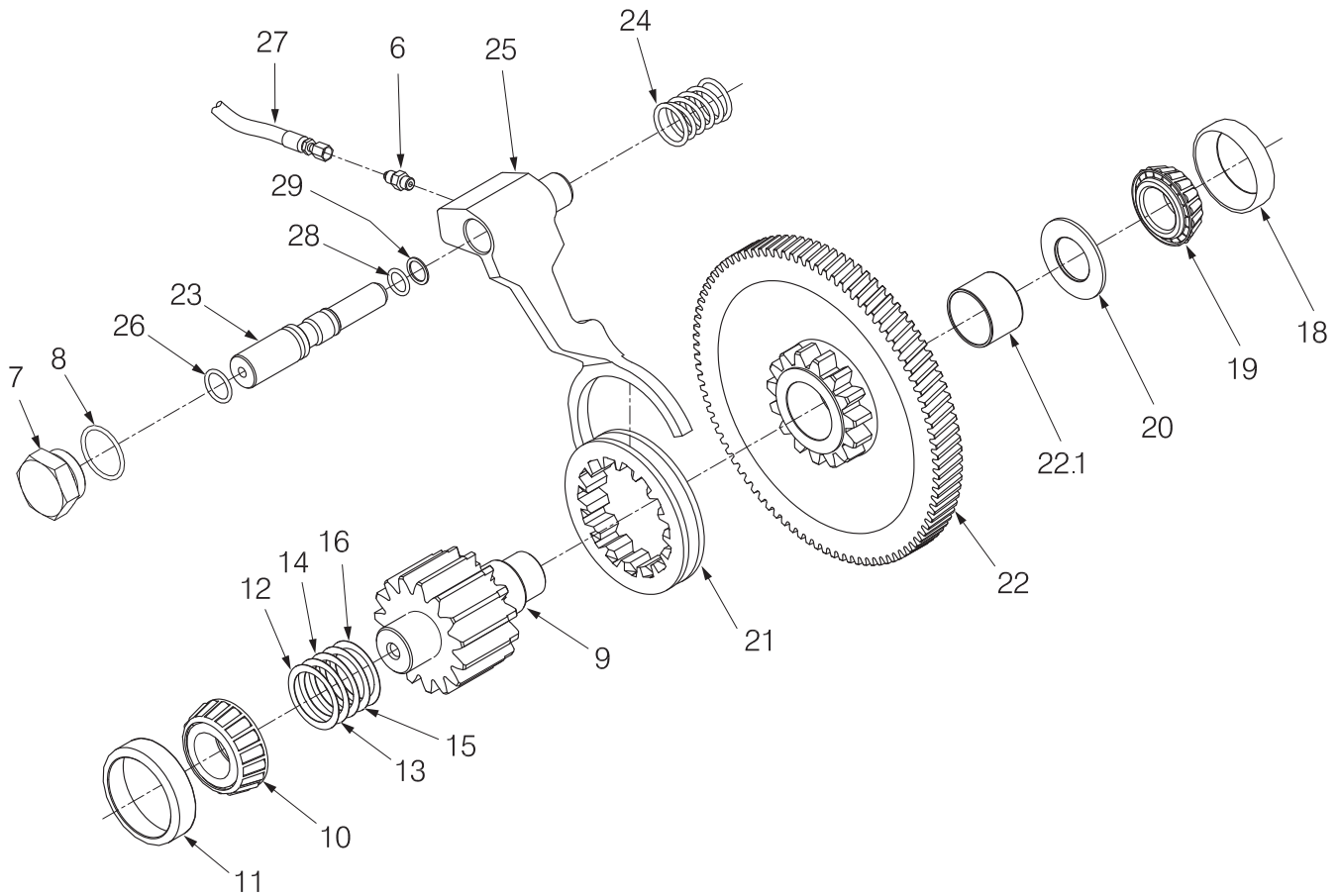
Item	Part No.	Qty	Description	Item	Part No.	Qty	Description
1	2305653W	1	Shaft, Drum	18	1314470W	AR	Shim, .025
3	2303848W	16	Capscrew	19	1314485W	AR	Shim, .015
4	2304122W	1	Shim, .005	20	1314486W	AR	Shim, .018
5	2304123W	1	Shim, .007	21	1314487W	AR	Shim, .020
6	2304124W	6	Shim, .020	22	1314488W	AR	Shim, .022
7	87355W	1	Seal, Oil	23	1314483W	1	Cone, Bearing
8	2303853W	1	Cone, Bearing	24	30190W	1	Cup, Bearing
9	2303854W	1	Cup, Bearing	25	R2109170	1	Seal
11	203525	2	O-Ring	26	2304126W	1	Cone, Bearing
12	2304069W	1	Drum	27	2304127W	1	Cup, Bearing
13	2304060W	1	Adapter, Drum	28	2304128W	1	Retaining Ring
14	2304058W	1	Shaft, Drum	29	2303827W	1	Gear, 55T
15	2304125W	1	Spacer	30	1314503W	1	Keeper, Ferrule
16	46629W	1	O-Ring	31	134803W	1	Capscrew
17	15895W	1	O-Ring				

Idler Shaft



Item	Part No.	Qty	Description	Item	Part No.	Qty	Description
1	2305564W	1	Shaft, Idler, 16T				
2	2304179W	2	Cone, Bearing				
3	2304180W	2	Cup, Bearing				
5	12916W	2	Ring, Snap				
6	2304197W	AR	Shim, .010				
7	2304198W	AR	Shim, .012				
8	2304199W	AR	Shim, .015				
9	2311306	1	Gear, Idler, 89T				

Intermediate Gear Shaft With Freespool



Item	Part No.	Qty	Description	Item	Part No.	Qty	Description
6	16538W	1	Fitting	21	2304171W	1	Collar, Freespool
7	2304174W	1	Plug, Freespool Shaft	22	2316504	1	Assy, Gear, Intermed, 92T
8	16984W	1	O-Ring	22.1	2304181W	1	. Bushing
9	2303825W	1	Shaft	23	2305563W	1	Shaft, Freespool
10	225262W	1	Cone, Bearing	24	2303906W	1	Spring, Freespool
11	230351W	1	Cup, Bearing	25	2305562W	1	Fork, Freespool Shifter
12	* 1314433W	AR	Shim, .020	26	61056W	1	O-Ring
13	* 1314434W	AR	Shim, .022	27	2305580W	1	Assy, Hose
14	* 1314435W	AR	Shim, .025	28	100153W	1	O-Ring
15	* 1314467W	AR	Shim, .015	29	238671	1	Ring, Backup
16	* 1314468W	AR	Shim, .018				
18	R1314774	1	Cup, Bearing				
19	R1314773	1	Cone, Bearing				
20	2304172W	1	Washer, Thrust				

* Shim as required to achieve 0.002" to 0.005" bearing endplay.

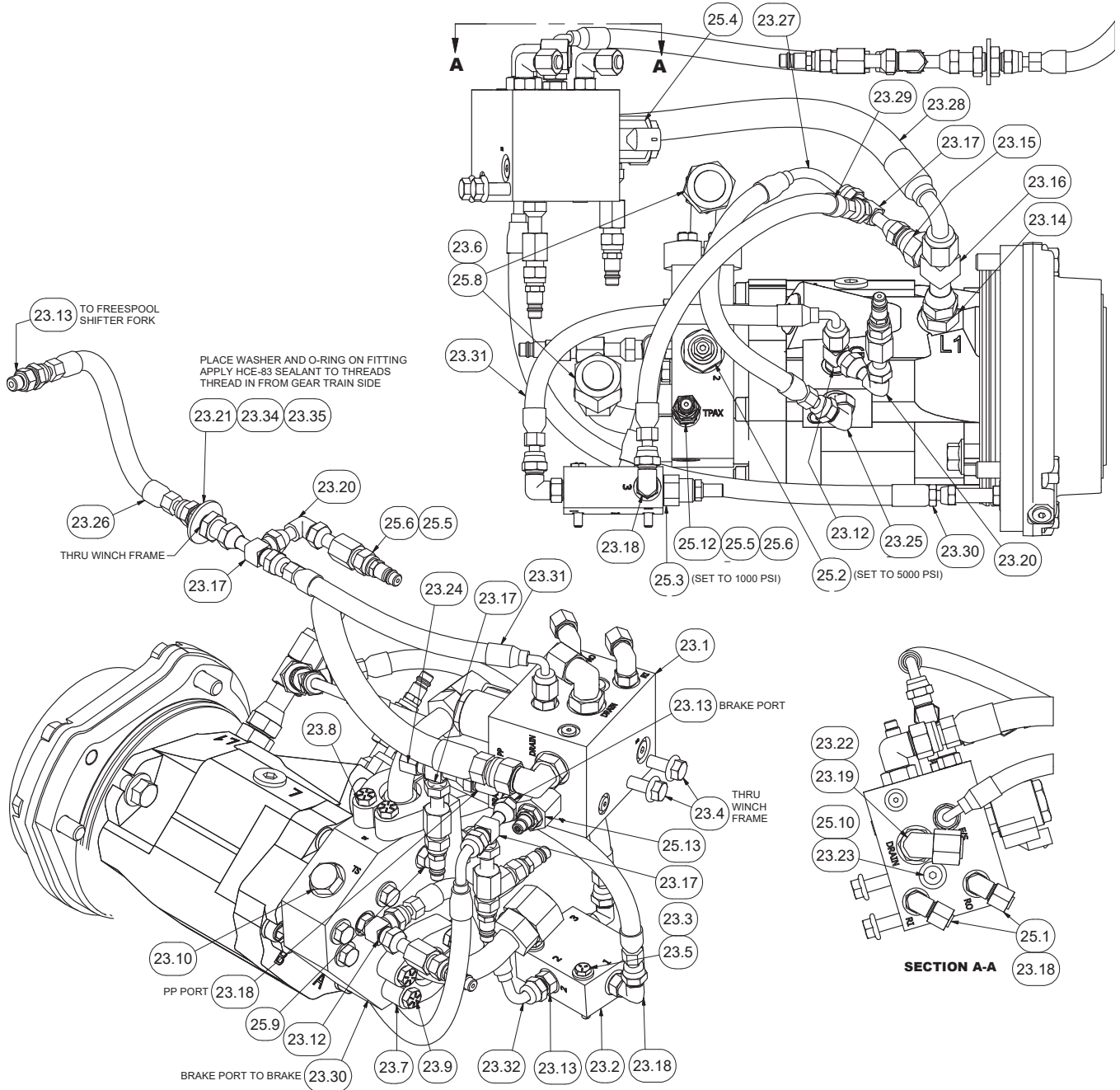
Intentionally Blank

Section 3
Hydraulics/Electrical/Controls

Hydraulic Group

Dressta TD7/8/9S (H4AT4Y**H15, H4AT4Y**H16)

Page 1 of 2



Hydraulic Group

Dressta TD7/8/9S (H4AT4Y**H15, H4AT4Y**H16)

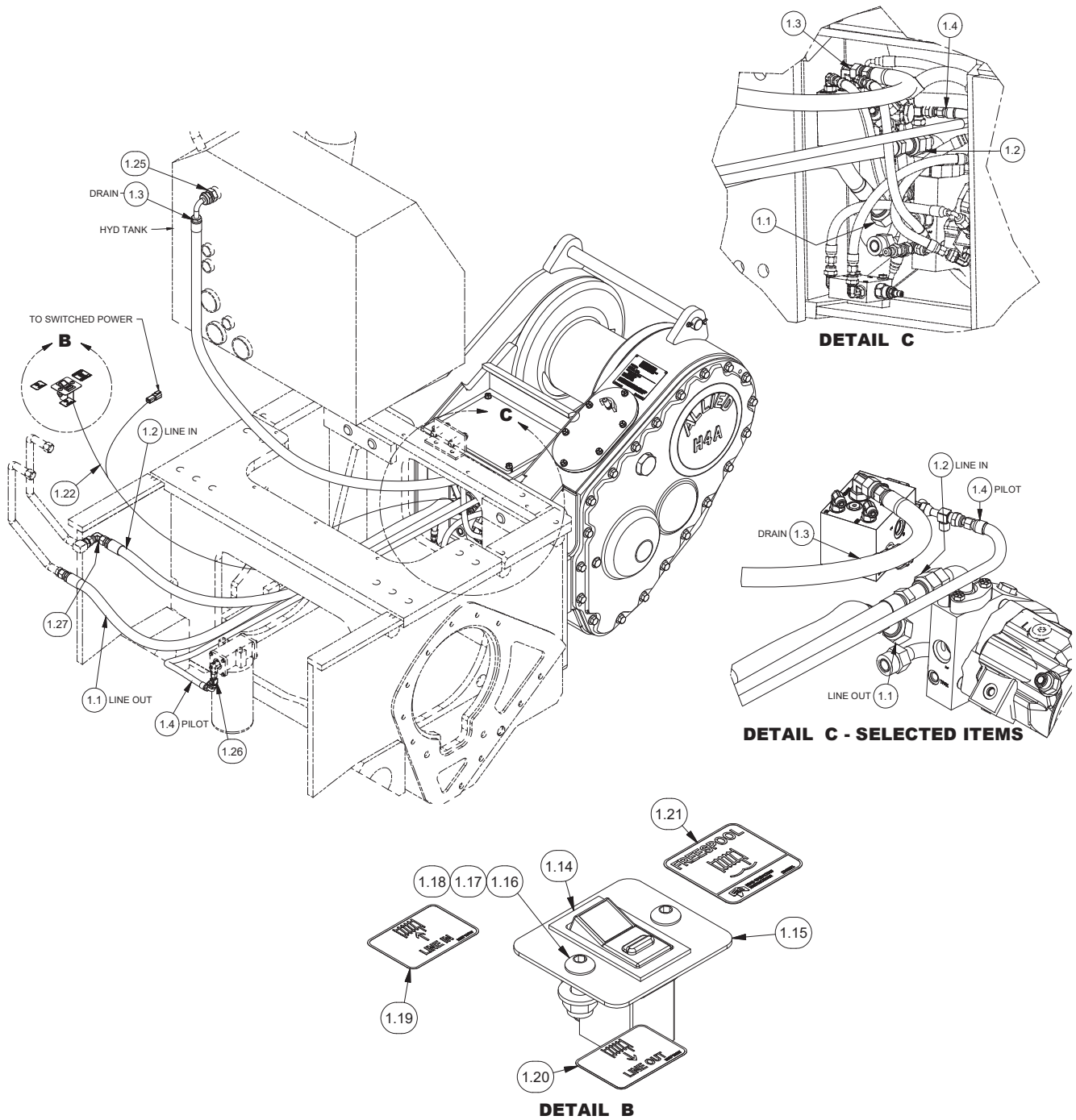
Page 2 of 2

Item	Part No.	Qty	Description	Item	Part No.	Qty	Description
23.1	2311591	1	Assy, Rescue Control Manifold (See p. 24)	23.25	2311500	1	Fitting Assembly
23.2	248918	1	Valve Body	23.26	2311356	1	Hose Assembly
23.3	221763W	2	Washer	23.27	2311235	1	Hose Assembly
23.4	398599W	2	Capscrew	23.28	242111	1	Hose Assembly
23.5	Y01C-0428	2	Capscrew	23.29	2311353	1	Hose Assembly
23.6	2311360	2	Assy, Fitting w/O-Rings	23.30	2311233	1	Hose Assembly
23.7	222535W	4	Fitting	23.31	2311744	2	Hose Assembly
23.8	Y17C-0624	4	Capscrew	23.32	2311234	1	Hose Assembly
23.9	221518W	4	Capscrew	23.34	15178W	1	Washer
23.10	210709	1	Fitting	23.35	211564	1	O-Ring
23.12	R833400	2	Fitting	25.1	232984	2	Fitting
23.13	231439	4	Fitting	25.2	2310976	1	Cartridge, Valve
23.14	R833114	1	Fitting		2501643	1	. Seal Kit
23.15	R833700	1	Fitting	25.3	2311130	1	Cartridge, Pressure Reducing
23.16	R834052	1	Fitting		234655	1	. Seal Kit
23.17	236855	4	Fitting	25.4	250365	1	Cartridge, Valve
23.18	R833251	5	Fitting		250589	1	. Coil
23.19	231452	2	Fitting		250590	1	. Seal Kit
23.20	R833800	2	Fitting	25.5	254002	6	Fitting
23.21	R834100	1	Fitting	25.6	2310634	6	Nipple
23.22	R834253	1	Fitting	25.8	231821	2	Fitting
23.23	222442W	1	Fitting		232382	1	. O-Ring
23.24	232984	1	Fitting	25.9	209423	1	Fitting
				25.10	15961W	1	Fitting
				25.12	231439	1	Fitting

Hydraulic/Electrical Installation

Dressta TD7/8/9S (H4AT4Y**H15, H4AT4Y**H16)

Page 1 of 2

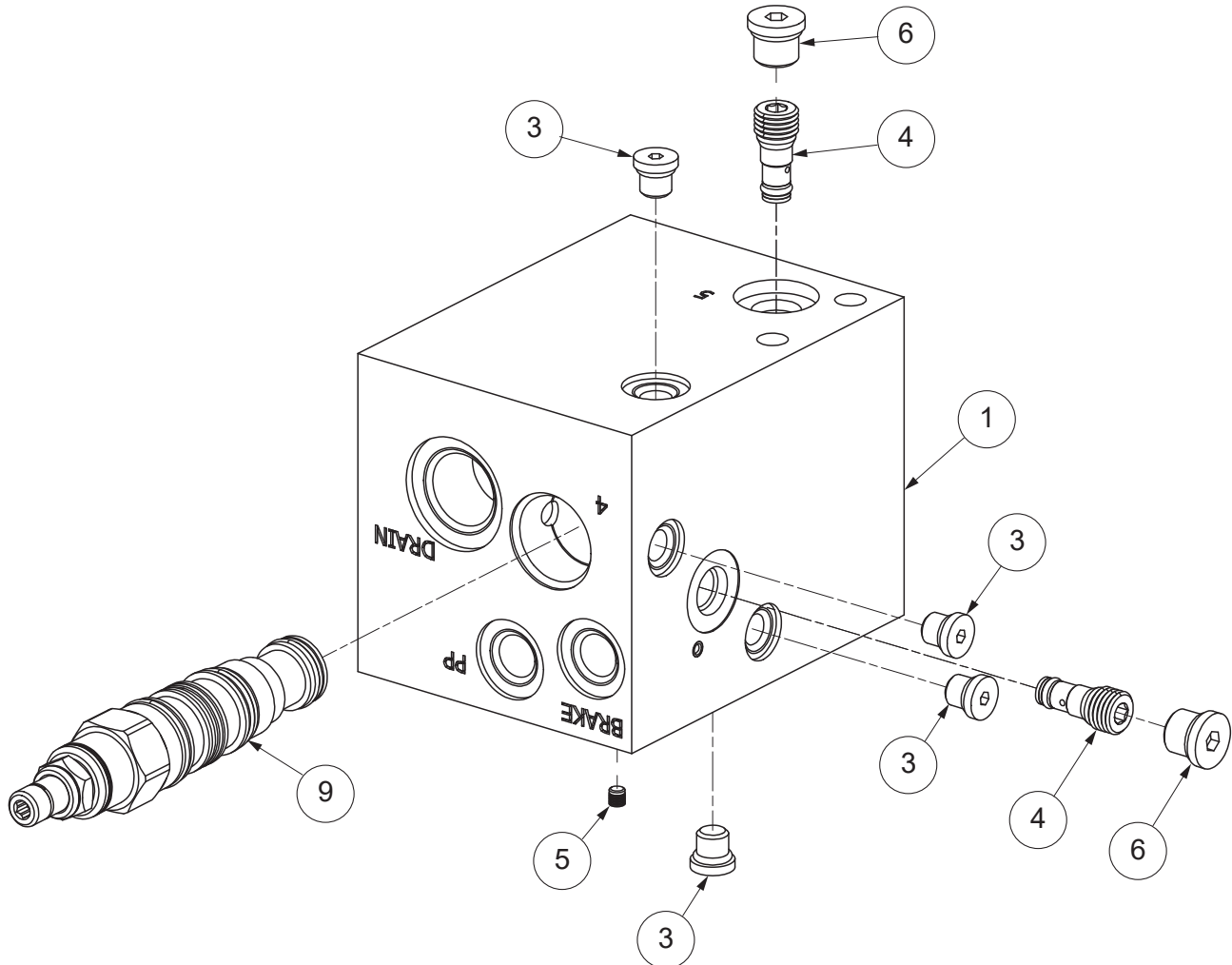


Hydraulic/Electrical Installation

Dressta TD7/8/9S (H4AT4Y**H15, H4AT4Y**H16)
Page 2 of 2

Item	Part No.	Qty	Description	Item	Part No.	Qty	Description
1.1	2316544	1	Hose Assembly	1.18	15113W	2	Locknut
1.2	2316545	1	Hose Assembly	1.19	2307121W	1	Decal, Winch In
1.3	2316546	1	Hose Assembly	1.20	2307122W	1	Decal, Winch Out
1.4	2316547	1	Hose Assembly	1.21	2313992	1	Decal, Switch Panel FS
1.5	2314543	1	Wrench, Torque	1.22	2311202	1	Harness, Wire
1.6	296430W	4	Washer	1.23	137852W	12	Cable Tie
1.9	293710W	4	Capscrew	1.24	318702W	AR	Threadlock
1.14	2310017	1	Switch	1.25	209215	1	Fitting
1.15	2307643W	1	Plate	1.26	17059W	1	Fitting
1.16	18720W	2	Capscrew	1.27	210769	1	Fitting
1.17	15127W	2	Washer				

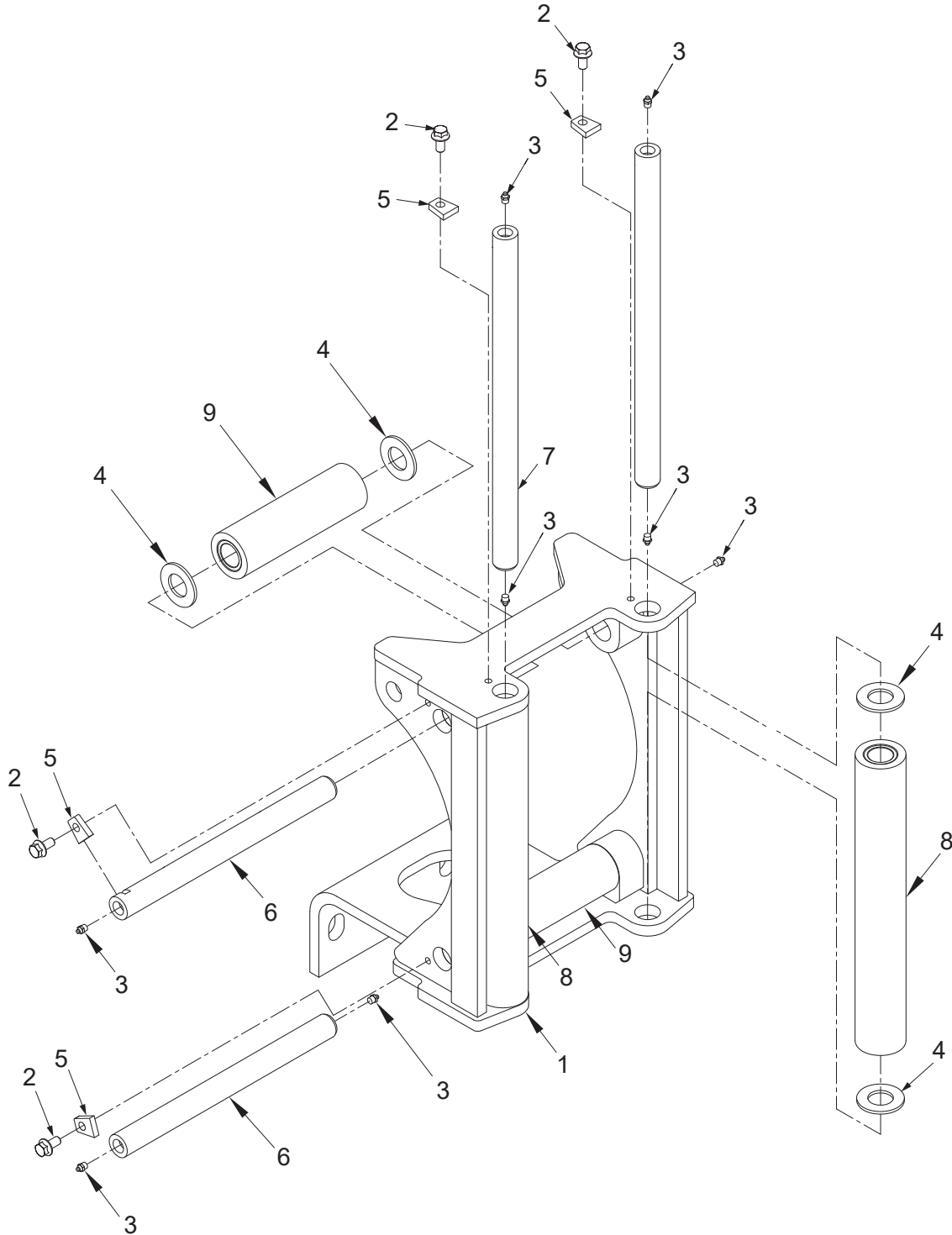
Rescue Control Manifold



Item	Part No.	Qty	Description	Item	Part No.	Qty	Description
	2311591		Assy, Manifold, Rescue Control				
1	2311590	1	. Manifold, Control	5	2307480W	2	. Plug, Expansion
3	242230	4	. Fitting	6	235387	2	. Fitting
4	2307227W	2	. Valve, Shuttle	9	2311592	1	. Directional Valve
	2307231W	1	.. Seal Kit		252566	1	.. Seal Kit

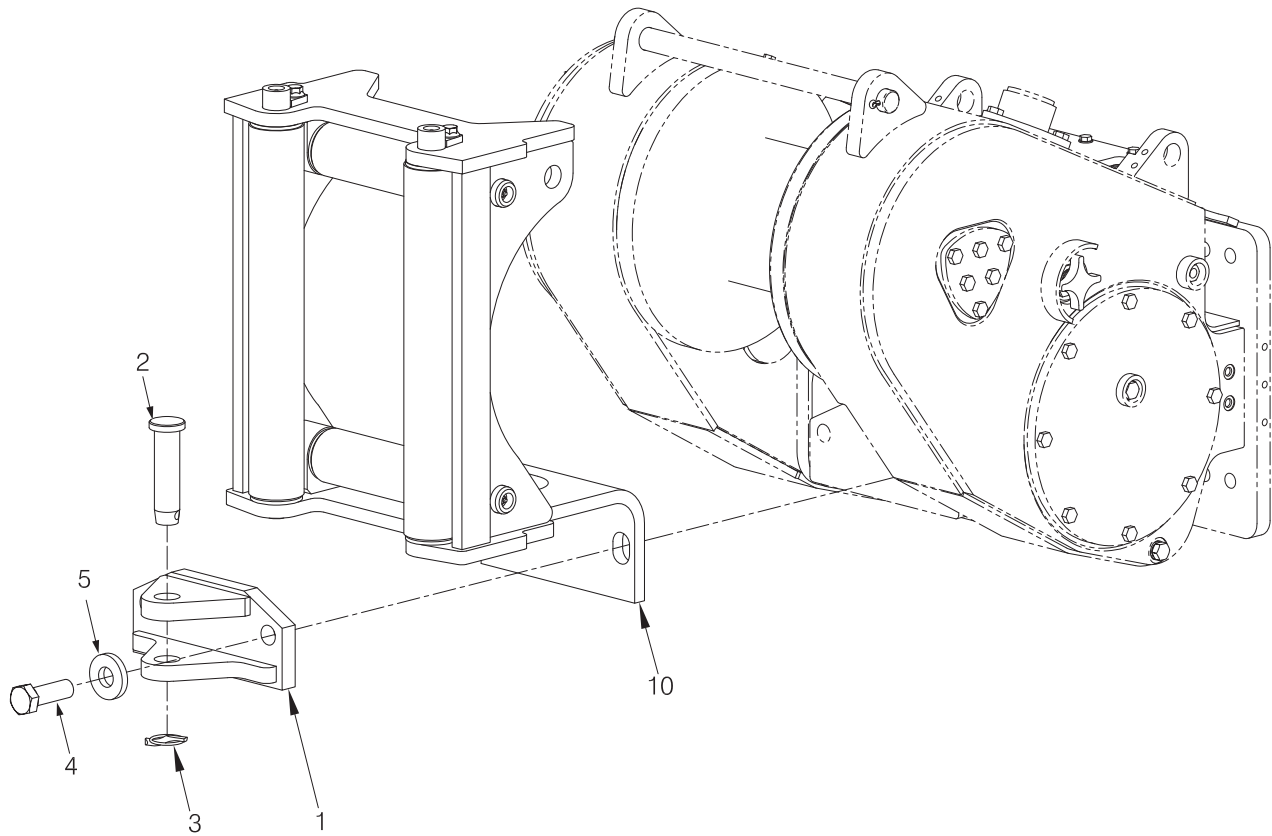
Section 4
Optional Equipment

Fairlead Assembly



Item	Part No.	Qty	Description	Item	Part No.	Qty A/B	Description
	2305252W		Assembly, Fairlead				
1	2305251W	1	. Frame	7	2303754W	2	. Shaft
2	398817W	4	. Flangescrew	8	2303755W	2	. Assembly, Roller
3	16001W	8	. Fitting, Lube		59419W	2	. Bushing
4	344825W	8	. Washer	9	2301708W	2	. Assembly, Roller
5	2303815W	4	. Keeper		59419W	2	. Bushing
6	2305249W	2	. Shaft				

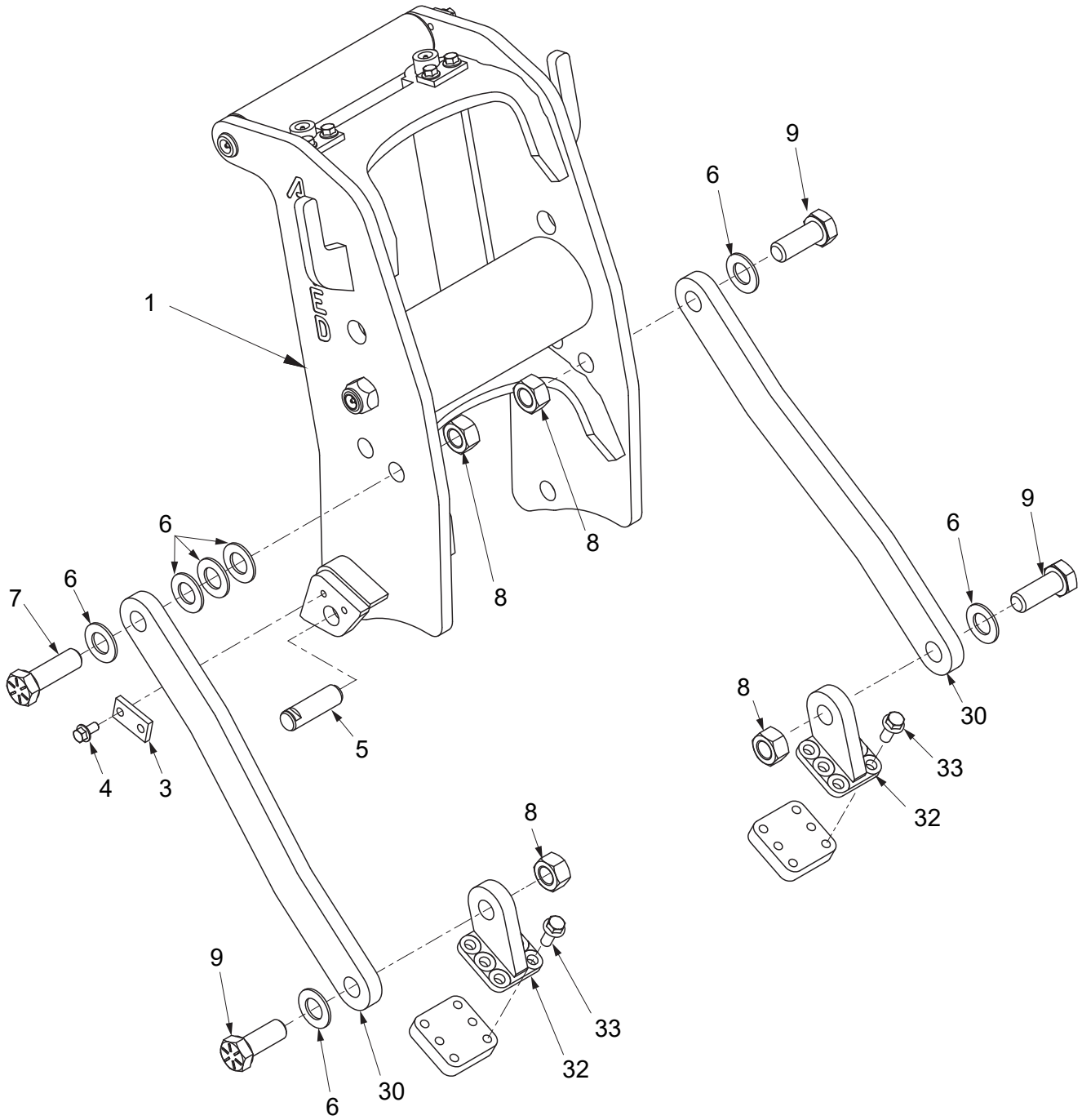
Fairlead/Drawbar Installation



- A. Fairlead Installation with Drawbar
- B. Fairlead Installation ONLY
- C. Drawbar Installation ONLY

Item	Part No.	Description	Qty	A	B	C	Item	Part No.	Description	Qty	A	B	C
1	2304155W	Drawbar	1	--	1			221694W	Capscrew	2	--	--	
2	2304161W	Pin, Drawbar	1	--	1		5	2305256W	Washer	2	2	--	
3	2303221W	Pin, Retaining	1	--	1			221780W	Washer	--	--	2	
4	221686W	Capscrew	--	2	2		10	2305252W	Assy Fairlead (See 4-6)	1	1	--	

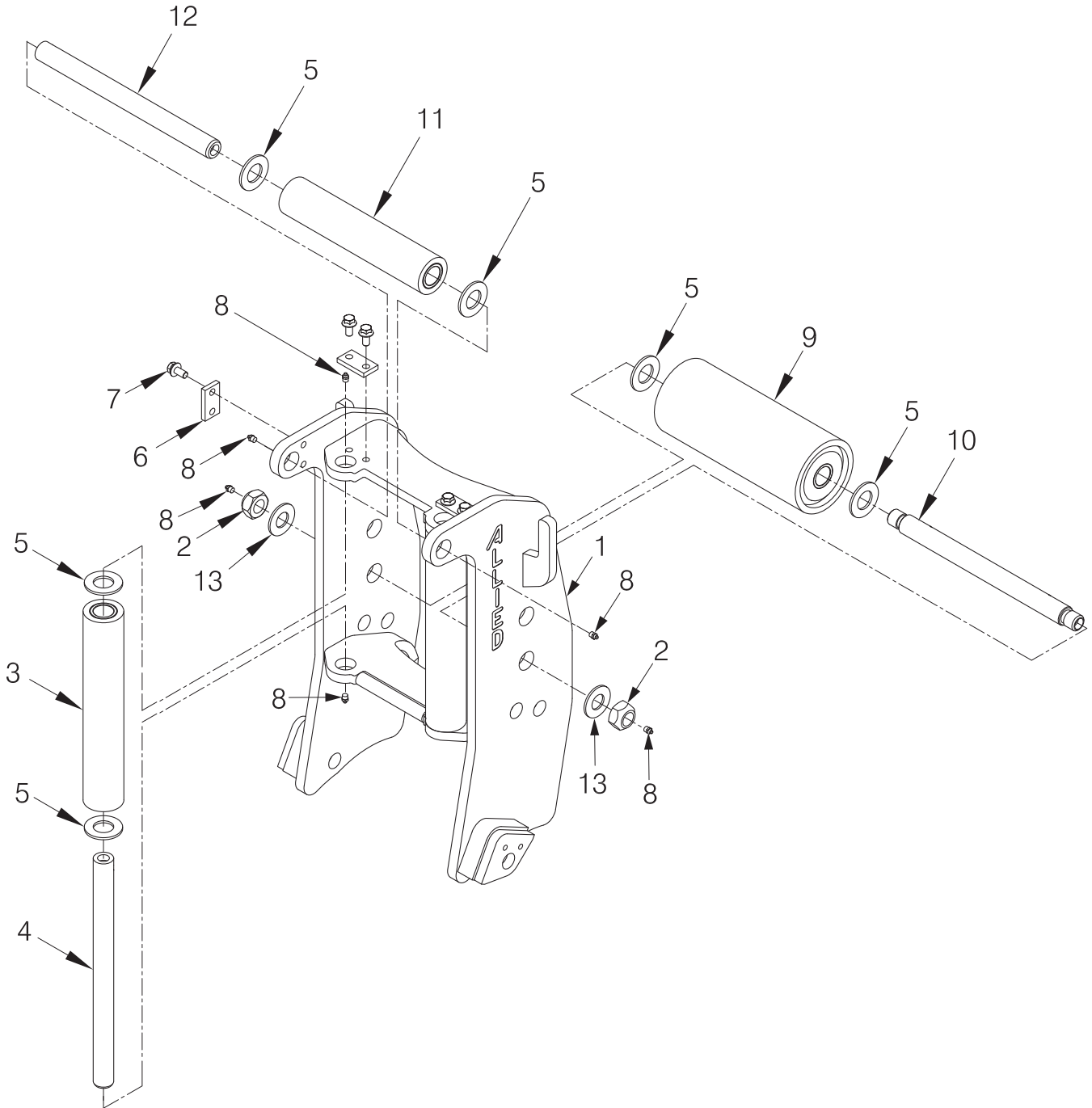
Arch Installation



Item	Part No.	Qty	Description	Item	Part No.	Qty	Description
1	2305145W	1	Assy, Arch (See p. 29)	30	2312995	2	Bar, Support, Arch
3	93166W	2	Keeper	32	2312997	2	Ear, Arch
4	398817W	4	Screw, Flange	33	918085W	12	Screw, Flange
5	1314629W	2	Pin				
6	225851	7	Washer				
7	2300478W	1	Capscrew				
8	*a 221372W	4	Locknut				
9	2305268W	3	Capscrew				

*a Use 318702W Thread Lock

Arch Assembly



Item	Part No.	Qty	Description	Item	Part No.	Qty	Description
	2305145W		Assembly, Arch				
1	2305142W	1	. Frame, 4 Roller	10	2300948W	1	. Shaft
2	221724W	2	. Hex Nut	11	344826W	1	. Roller Assembly
3	342448W	2	. Roller Assembly	12	344835W	1	. Shaft
4	342447W	2	. Shaft	13	225851	1	. Washer
5	344825W	8	. Washer				
6	93166W	3	. Keeper				
7	398817W	6	. Screw, Flange				
8	16001W	8	. Fitting, Lube				
9	2300125W	1	. Roller				

*a Use 318702W Thread Lock

*b Use only if required to protect threads.

Wire Rope Assemblies

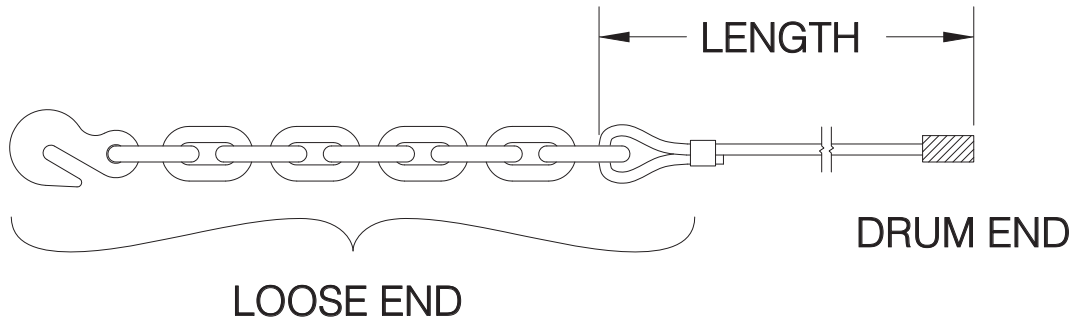


Figure A

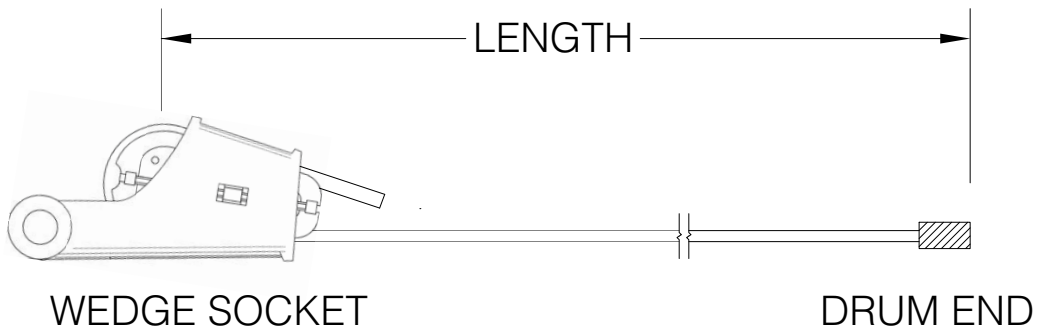


Figure B

	Wire Rope	Tail Chain & Hook
Wire Rope Diameter Dia (in)	Breaking Strength New (lbs)	Working Load Limit (lbs) 3.5:1 Design Factor
5/8	41,200	13,000
3/4	58,800	34,200
7/8	79,600	34,200

⚠ CAUTION

Do not use larger than 5/8" diameter wire rope if winch is equipped with arch assembly.

Part No.	Wire Diameter	Length FT (M)	Part No.	Wire Diameter	Length FT (M)
WR5-279L	5/8"	279 (85) *c			
WR5-423L	5/8"	423 (129) *a			
WR6-197L	3/4"	197 (60) *c			
WR6-298L	3/4"	298 (91) *a			
WR7-142L	7/8"	142 (43) *c			
WR7-215L	7/8"	215 (66) *a			
YS7-215LWS	7/8"	215 (66) *b			

*a WR Series Wire Rope (Illustrated in Figure A)
 *b YS Series Wire Rope (Illustrated in Figure B)
 *c Length to fill drum to 2/3 capacity (recommended)
 *d Length to fill drum to full capacity

Section 5

Recommended Service Parts, Intervals and Kits

The following pages list some of the service parts and kits that are available for your Allied H4A Winch.

Page 42 shows the recommended service intervals and service kits for the H4A winch. Kits are shown on pages 43-46.

Page 47 lists gaskets and seals. Keep these parts in stock at all times for regular maintenance. Order parts from the table based on your winch.

Page 47 and page 48 contain kits for 5,000 hour and 10,000 hour scheduled maintenance. Order these kits in preparation for these intervals. Each kit includes all parts listed in the table. Order parts from the table based on your winch.

Page 49 contains lists of wire rope assemblies and general spare parts. Order parts as required and as relevant for your installation.

Page 50 contains lists of tool kits and diagnostic tools, which are useful when you install, maintain and service your winches.

Note: Allied Winch parts manuals are available for no charge download at <http://www.alliedsystems.com/pubs/pubs.htm>.

Recommended Winch Service Intervals and Kits

Follow the service schedule recommended here to help keep tractor winch downtime to a minimum, optimize winch operation, and extend the life of your investment. See Table 1 for recommended service intervals, and Table 2 for recommended service kits.

Hydraulic Winch Maintenance					
Recommended Winch Service Intervals					
Hours or **	Months **	Filter ***	Winch Gear Oil	Brake & Clutch	Major Overhaul
First 250	1	Change			
Every 500	3	Change			
Every 2,000	12		Change		
Every 5,000				*Inspect	
Every 10,000					*Evaluate
Lube rollers and check oil level and filter light every week.					

* Evaluate = Service based on average winch use;

If used more than once a day, perform an overhaul.

If used less than once a day, remove covers and check to determine need.

* Inspect = Disassemble and inspect for wear.

** Service winch using the tractor's hour meter or the length of time the winch is mounted to the tractor, whichever occurs first.

*** Follow tractor schedule if using dozer filter.

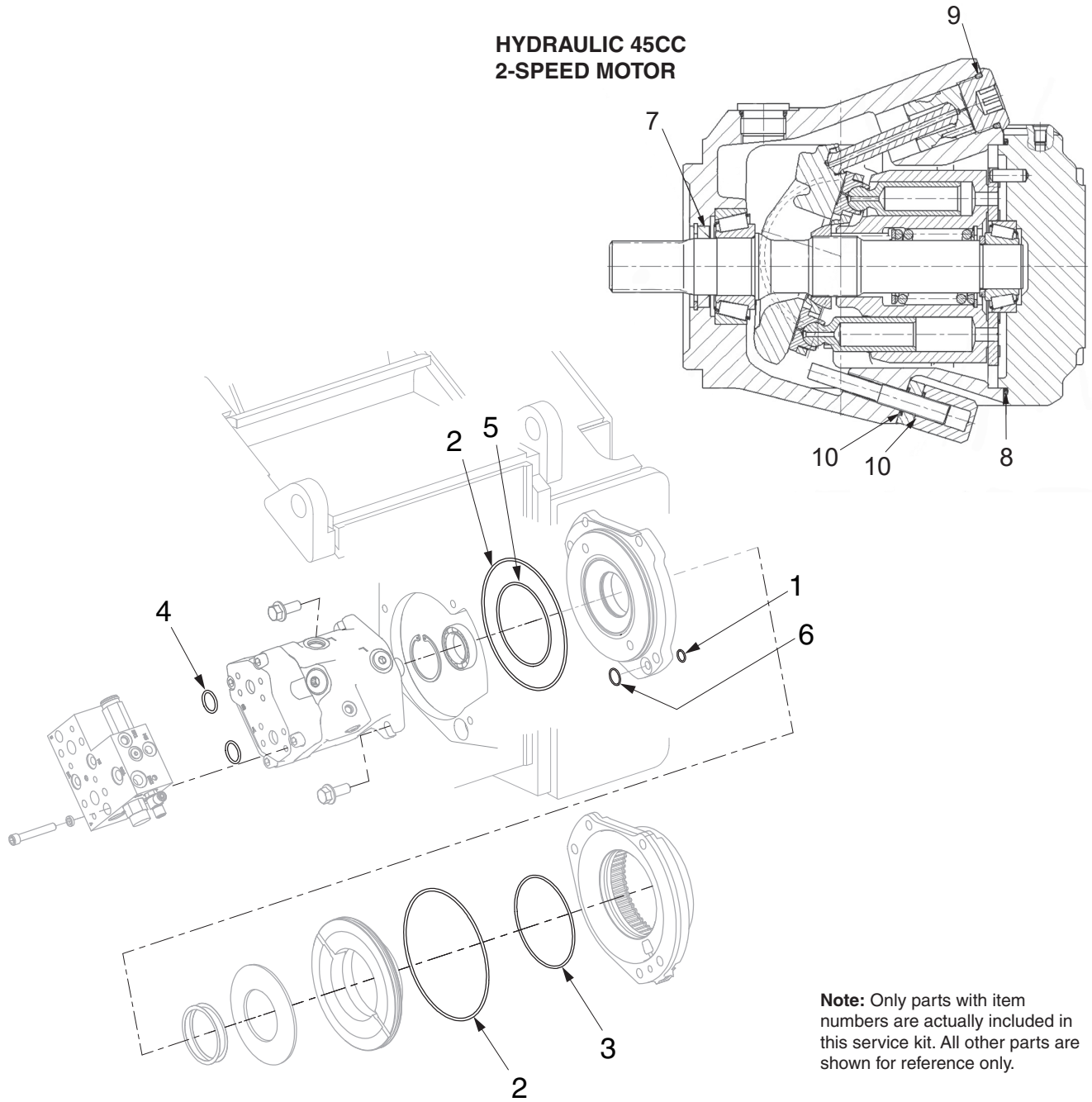
Table 1 Recommended Winch Service Intervals

Service Kits for Dressta Winches			
Service Description	Kit Description	Winch Serial Number	Kit Part#
Filter change	Filter kit	All	Refer to tractor operator and service manuals
Complete oil change (every 1,000 hours)	N/A	All	Check our website for current operator's and service manuals for appropriate oils
Clutch and brake overhaul (every 5,000 hours)	Motor, reducer & brake assembly rebuild kit	All	2312857
Major overhaul (every 10,000 hours)	Intermediate/drum shaft & brake assembly rebuild kit	All	2311896

Table 2 Routine Maintenance Kits

Motor Shaft Rebuild Kit: 2315351

Standard Winches without Self-Contained Hydraulics (Non-SCH)

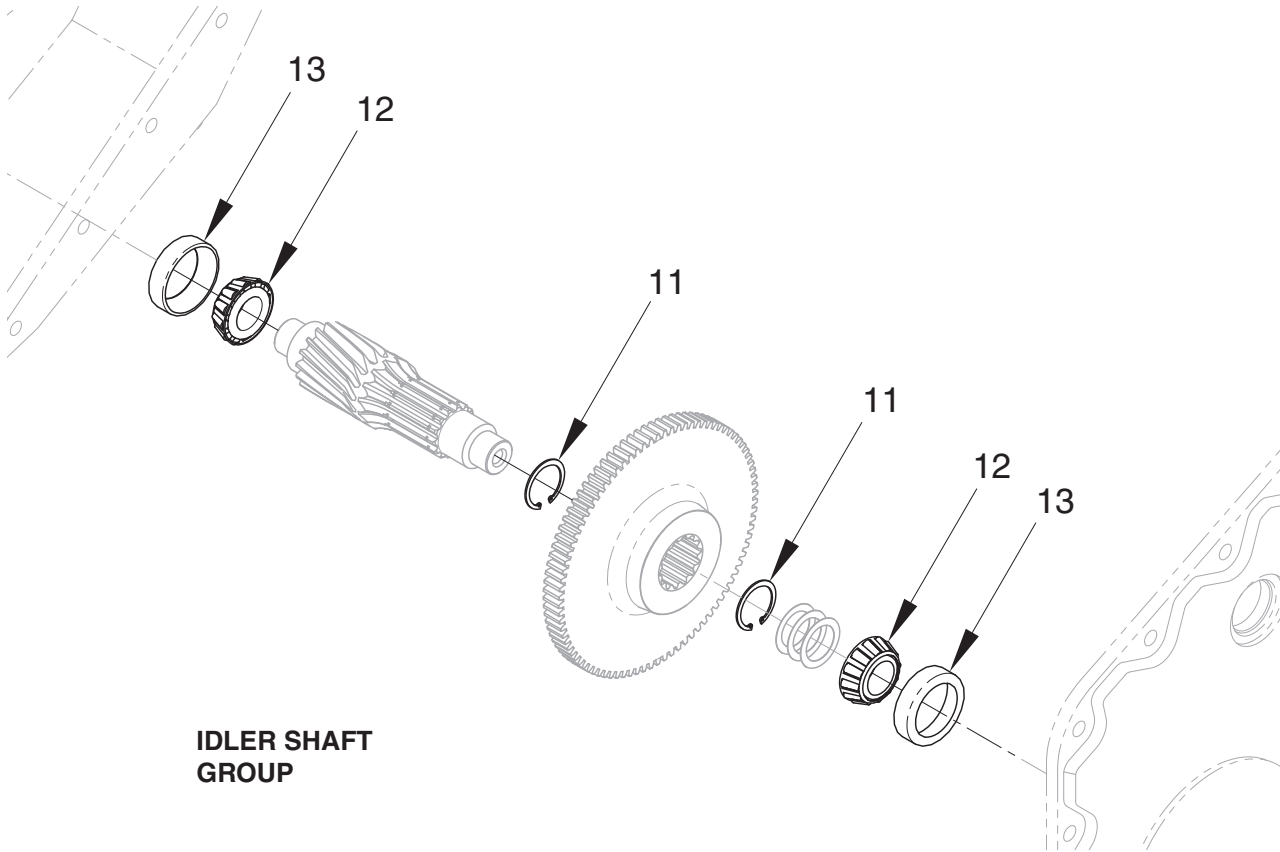


MOTOR & BRAKE GROUP

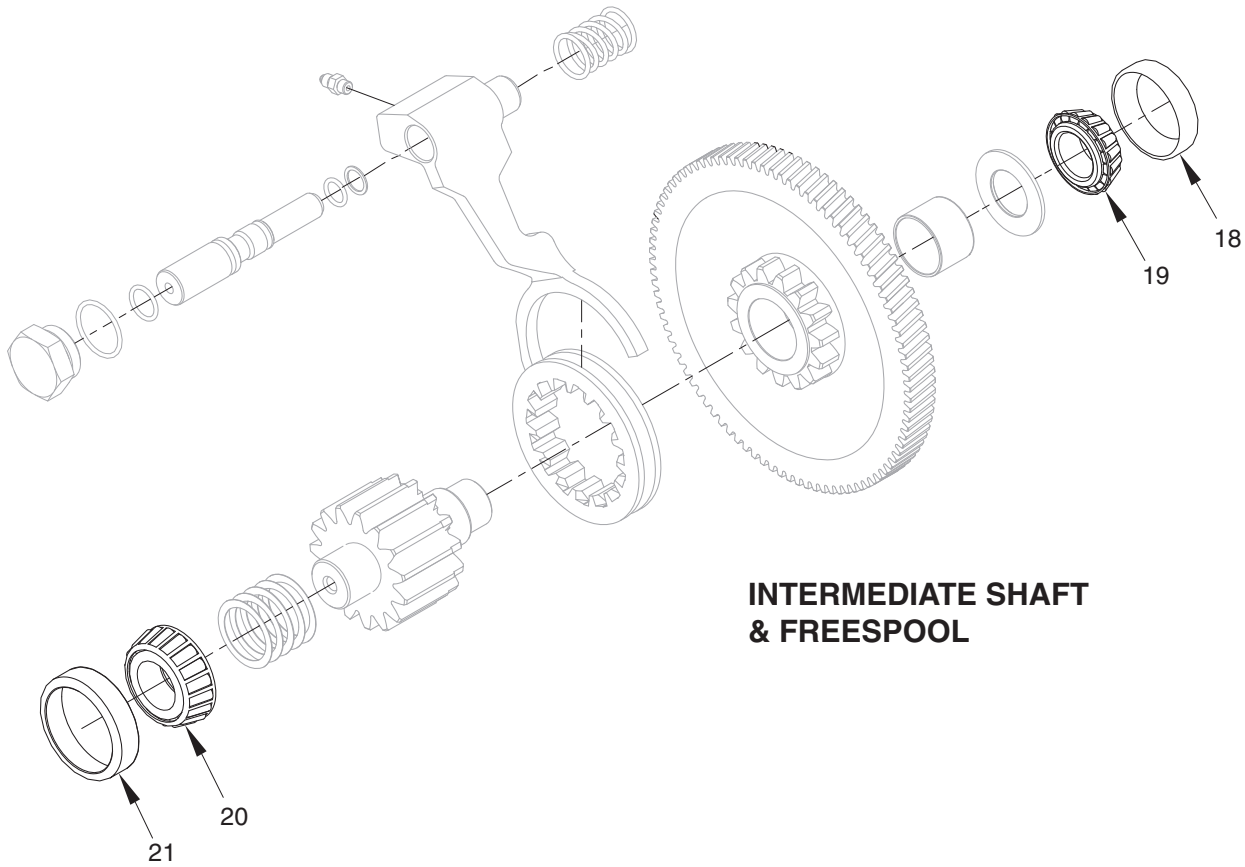
Item	Part No.	Qty	Description	Item	Part No.	Qty	Description
	2315351	1	Rebuild Kit, Motor Shaft				
1	26883	1	. O-Ring	7	2305760W	1	. Seal, Shaft
2	2316507	2	. O-Ring	8	2305761W	1	. O-Ring
3	2316517	1	. O-Ring	9	2305762W	1	. O-Ring
4	2304110W	2	. O-Ring	10	2305763W	2	. O-Ring
5	15888W	1	. O-Ring				
6	17064	1	. O-Ring				

Motor, Idler, Intermediate & Drum Shaft Rebuild Kit: 2315288

Page 1 of 3



IDLER SHAFT GROUP

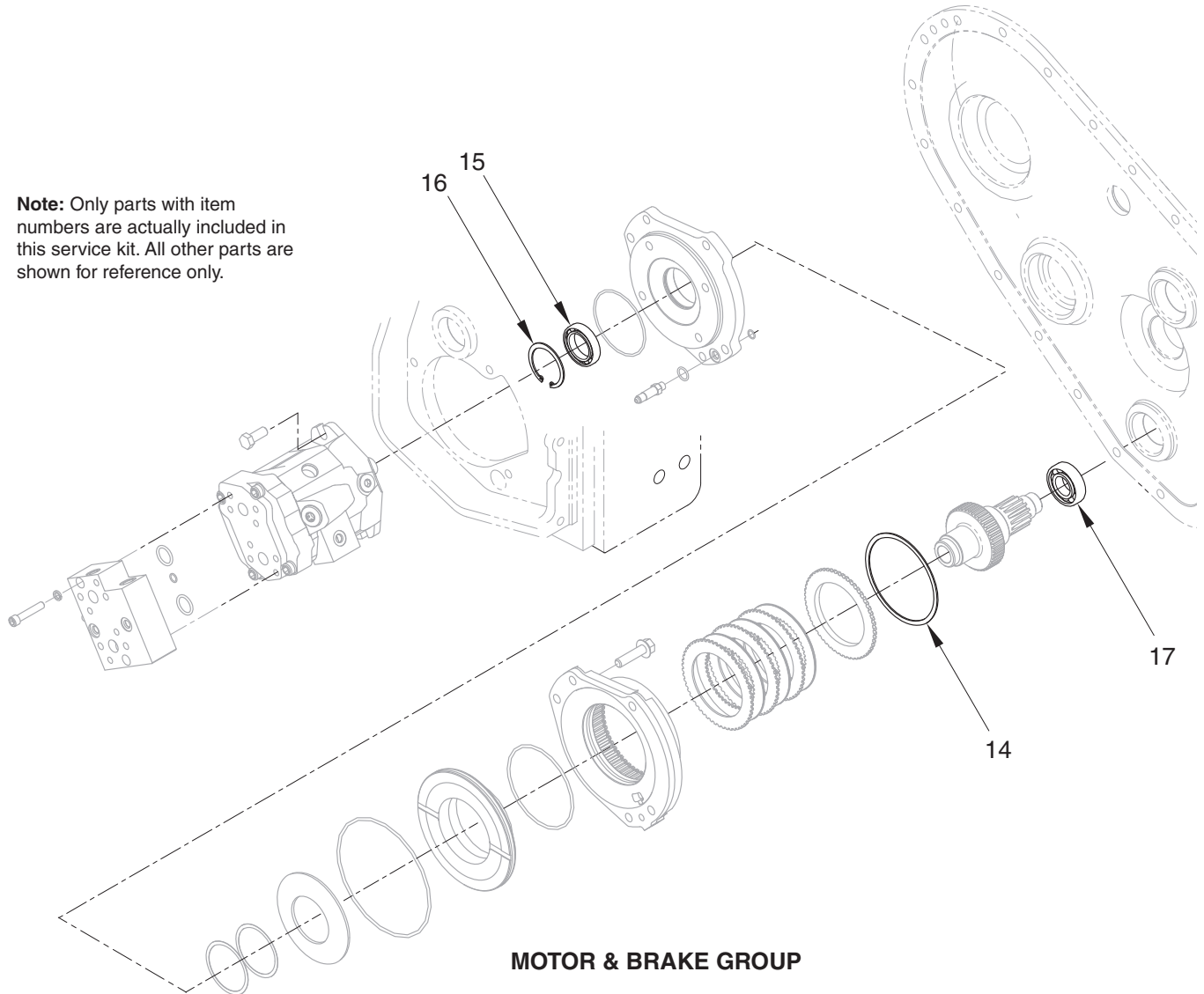


INTERMEDIATE SHAFT & FREESPOOL

Motor, Idler, Intermediate & Drum Shaft Rebuild Kit: 2315288

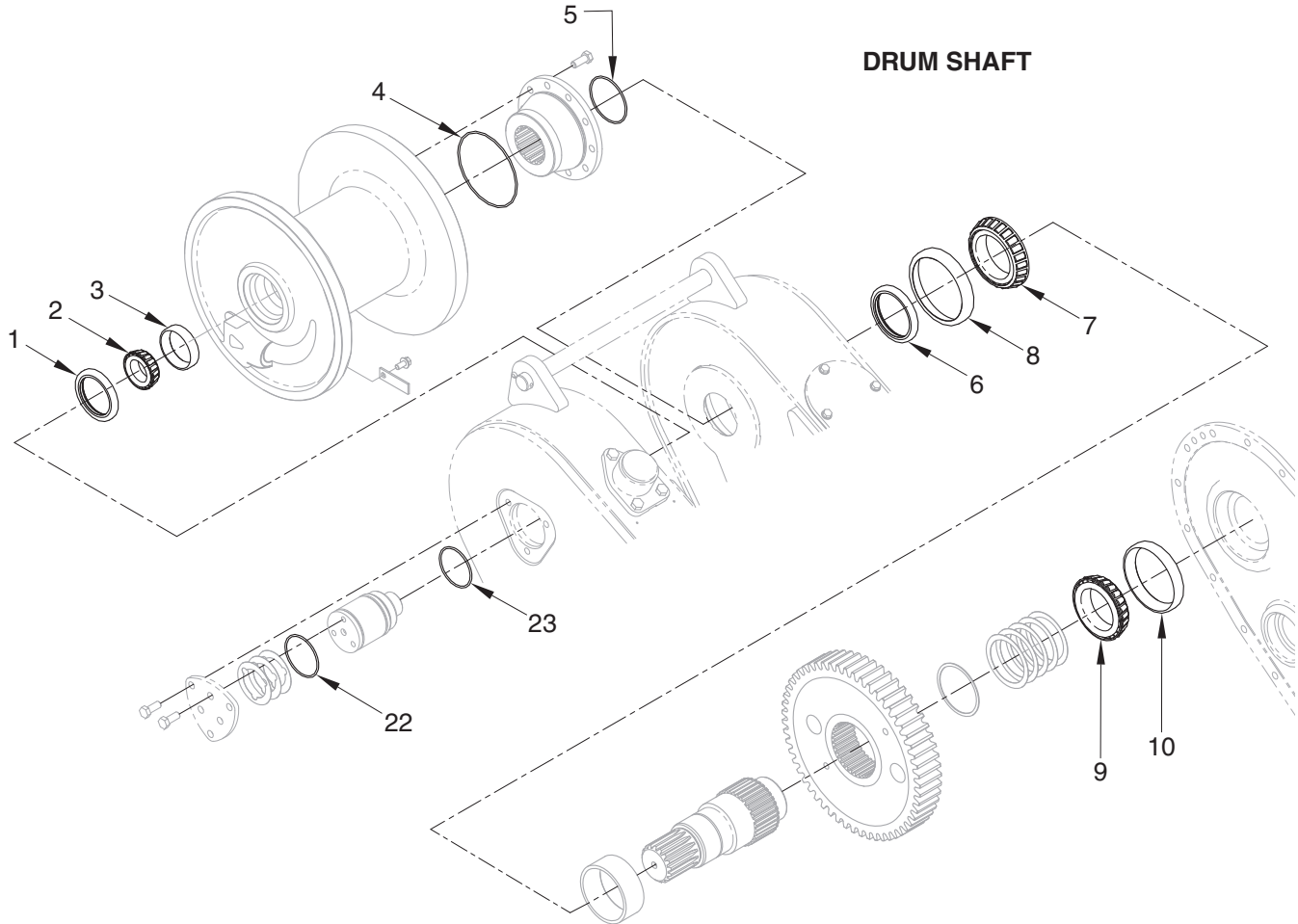
Page 2 of 3

Note: Only parts with item numbers are actually included in this service kit. All other parts are shown for reference only.

**MOTOR & BRAKE GROUP**

Motor, Idler, Intermediate & Drum Shaft Rebuild Kit: 2315288

Page 3 of 3



Note: Only parts with item numbers are actually included in this service kit. All other parts are shown for reference only.

Item	Part No.	Qty	Description	Item	Part No.	Qty	Description
	2315288	1	Motor, Idler, Intermediate & Drum Shaft Rebuild Kit				
1	87355W	1	. Seal, Oil	13	2304180W	2	. Cup, Roller Bearing
2	2303853W	1	. Bearing Cone	14	334475W	1	. Ring, Snap, Int
3	2303854W	1	. Bearing Cup	15	2300831W	1	. Bearing, Ball
4	15895W	1	. O-Ring	16	12921W	1	. Snap Ring
5	46629W	1	. O-Ring	17	41206W	1	. Bearing, Ball
6	R2109170	1	. Seal	18	R1314774	1	. Bearing Cup
7	2304126W	1	. Bearing Cone	19	R1314773	1	. Bearing Cone
8	2304127W	1	. Bearing, Cup	20	225262W	1	. Bearing Cone
9	1314483W	1	. Bearing Cone	21	230351W	1	. Bearing Cup
10	30190W	1	. Bearing Cup	22	15881W	1	. O-Ring
11	12916W	2	. Snap Ring	23	203525	1	. O-Ring
12	2304179W	2	. Cone, Roller Bearing				

Gaskets & Seals		Order as Required		
Allied P/N	Description	Quantity on Winch	See Parts Manual Page	Order Quantity
2315377	Gasket, Breather Cover	1	Frames and Covers	

Motor Shaft Rebuild Kit, P/N: 2315351				
Applies to: All				
Service Interval: Every 5,000 Hours				
Allied P/N	Description	Quantity in Kit	See Parts Manual Page	Order Quantity
2315351	Rebuild Kit, Motor Shaft			
26883	. O-Ring	1	Motor & Brake Group (Non-SCH)	
2316507	. O-Ring	2		
2316517	. O-Ring	1		
2304110W	. O-Ring	2		
15888W	. O-Ring	1		
17064	. O-Ring	1		
2305760W	. Seal, Shaft	1	Hydraulic 45CC 2 Speed Motor	
2305761W	. O-Ring	1		
2305762W	. O-Ring	1		
2305763W	. O-Ring	2		

Intermediate/Drum/Idler Shaft, Motor and Brake Assembly Rebuild Kit, P/N: 2311896
Service Interval: Every 10,000 hours

Allied P/N	Description	Quantity in Kit	See Parts Manual Page	Order Quantity
2311896	Kit, Intermediate, Idler, Drum Shaft, Motor & Brake Assembly Rebuild	1		
41207W	. Bearing, Ball	1	Motor Shaft	
41210W	. Bearing, Ball	1	Motor Shaft	
2306198W	. Disc, Friction	7	Motor Shaft	
2304874W	. Plate, Separator	8	Motor Shaft	
218214	. O-Ring	1	Intermediate Gear Shaft	
212380	. O-Ring	1	Intermediate Gear Shaft	
159940W	. O-Ring	1	Intermediate Gear Shaft	
2305923W	. Cone, Roller Bearing	1	Intermediate Gear Shaft	
45733W	. Cup, Roller Bearing	1	Intermediate Gear Shaft	
219114W	. Cone, Roller Bearing	1	Intermediate Gear Shaft	
2302515W	. Cup, Roller Bearing	1	Intermediate Gear Shaft	
133523W	. Seal, Oil	1	Drum Shaft	
339681W	. Seal, Oil	1	Drum Shaft	
219093W	. Cone, Roller Bearing	1	Drum Shaft	
219094W	. Cup, Roller Bearing	1	Drum Shaft	
12956W	. Ring, Snap	2	Drum Shaft	
219095W	. Bearing, Roller	1	Drum Shaft	
203533	. O-Ring	1	Drum Shaft	
2304580W	. Bearing, Cylinder Roller	1	Idler Shaft	
41207W	. Bearing, Ball	1	Idler Shaft	
12916W	. Ring, Snap	1	Idler Shaft	

Wire Rope Assemblies		Order as Required		
Allied P/N	Description	Length	Will Fill Drum To:	Order Quantity
WR5-279L	Wire Rope Assy 5/8" TC	279' (85 M)	2/3 Capacity (Recommended)	
WR5-423L	Wire Rope Assy 5/8" TC	423' (129 M)	Full Capacity	
YS5-279LWS	Wire Rope Assy 5/8" WS	279' (85 M)	2/3 Capacity (Recommended)	
YS5-423LWS	Wire Rope Assy 5/8" WS	423' (129 M)	Full Capacity	
WR6-197L	Wire Rope Assy 3/4" TC	197' (60 M)	2/3 Capacity (Recommended)	
WR6-298L	Wire Rope Assy 3/4" TC	298' (91 M)	Full Capacity	
YS6-197LWS	Wire Rope Assy 3/4" WS	197' (60 M)	2/3 Capacity (Recommended)	
YS6-298LWS	Wire Rope Assy 3/4" WS	298' (91 M)	Full Capacity	
WR8-142L	Wire Rope Assy 7/8" TC	142' (43 M)	2/3 Capacity (Recommended)	
WR7-215L	Wire Rope Assy 7/8" WS	215' (66 M)	Full Capacity	
YS7-142LWS	Wire Rope Assy 7/8" TC	142' (43 M)	2/3 Capacity (Recommended)	
YS7-215LWS	Wire Rope Assy 7/8" WS	215' (66 M)	Full Capacity	

TC = Tail chain and hook
 WS = Wedge socket

Spare Parts		Order as Required		
Allied P/N	Description	Qty on Winch	See Parts Manual Page	Order Qty
2303788W	Motor, Hydraulic	1	Motor & Brake Group	
2304873W	Plate, Friction	3		
2314620	Motor, Hydraulic (K14 Only)	1		
21420W	Plug, Breather	1	Frame/Covers	
2304161W	Pin, Drawbar	1	Fairlead/Drawbar Installation	
2303221W	Pin, Retaining	1		
59419W	Bushing	8		
134803W	Capscrew	1	Drum Shaft Group	
1314503W	Keeper, Ferrule	1		

Tool Kits

Order these Tool Kits as required for installation, maintenance and service of your winch(es).

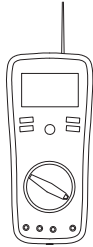
Allied P/N	Description	Order Quantity
588466	Socket Set, 3/8DR 3/8" to 7/8" STD/Deep, 22 PC	
588467	Socket Set, 1/2DR 3/8" to 1-1/4" STD/Deep, 30 PC	
588468	Socket Set, 3/4DR 7/8" to 2-3/8" STD, 29 PC	
588469	Wrench Set, 5/16" to 2-1/2", 31 PC	
588527	Hex Key Sets, .025" to 5/8", 18 PC	
588530	Socket Sets, 3/8DR 6mm-19mm 12 Point	
588529	Socket Sets, 1/2DR 10mm-26mm 12 Point	
588528	Wrench Sets, 7mm-24mm, 18 PC	
588526	Hex Key Sets, .07mm-17mm, 15 PC	

Diagnostic Tools

Order as Required

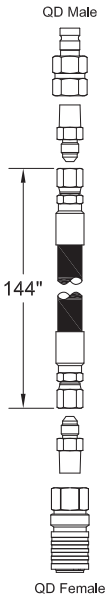
Order these Tools as required for maintenance and service of your winch(es).

Allied P/N	Description	Order Quantity
906601	0 to 8700 PSI Digital Pressure Gauge W/Female QD Connector	
69782	72" Hose Assembly W/QD Connectors Both Ends	
70381	144" Hose Assembly W/QD Connectors Both Ends	
69778	Multi-Meter, 12 Function	



69778
Multi-Meter, 12 Function

AC/DC Voltage & Current,
Resistance, Capacitance,
Frequency, Type K & IR
Temperature, Diode/Continuity,
Duty Cycle Non-Contact
InfraRed Thermometer
CAT III Test Leads
Type K Bead Wire Temp Probe

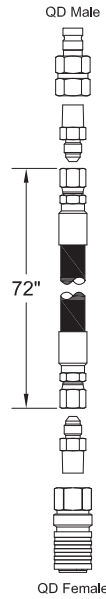


QD Male

144"

QD Female

70381
Kit, Hose Assembly, W/QD Both Ends

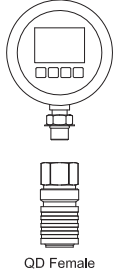


QD Male

72"

QD Female

69782
Kit, Hose Assembly, W/QD Both Ends



906601
Kit, Digital Pressure Gauge
W/ Female QD Connector
0 to 8700 PSI

Numerical Index

Part No.	Page	Item No.	Part No.	Page	Item No.	Part No.	Page	Item No.
11740	53	2.1	231452	67	6	238060	63	1
11740	57	3.1	231463	43	46.19	238061	62	4
24531	53	2.2	231465	53	1.12	238061	63	2
24531	57	3.2	231821	51	47	238062	62	6
203533	34	21	231821	67	14	238062	63	6
209423	40	13.35	231822	51	49	238063	62	7
209579	47	2.2	231822	67	9	238063	63	7
209579	53	1.35	231847	53	1.22	238064	62	8
209579	59	46.2	231955	51	19	238064	63	8
209579	61	2.2	231955	57	1.42	238065	62	9
209589	40	13.4	232053	51	14	238065	63	9
209589	57	1.21	232356	51	7	238067	62	11
209695	11	31	232960	40	35.31	238067	63	11
210709	68	6	232960	43	48.14	238068	62	14
212380	36	3	232960	47	7.14	238068	63	14
218181	67	16	232960	53	1.26	238070	62	16
218214	36	1	232960	59	48.14	238070	63	16
229345	40	35.17	232960	61	7.14	238071	62	22
229345	64	5	232984	51	50	238071	63	22
229383	53	1.24	232984	67	12	238072	62	21
229383	57	1.2	234340	71	2	238072	63	21
229383	70	11	235314	43	48.4	238073	62	17
231439	33	20.26	235314	44	18	238073	63	17
231439	36	21	235314	47	7.4	238074	62	18
231439	40	13.2	235314	59	48.4	238074	63	18
231439	53	1.19	235314	61	7.4	238075	62	19
231440	40	13.25	235387	40	35.16	238075	63	19
231440	43	46.23	235387	53	1.23	238076	62	20
231440	47	2.23	235387	64	7	238076	63	20
231440	53	1.16	236805	51	60	238077	62	13
231440	57	1.31	236805	55	15	238077	63	13
231440	59	46.23	236855	40	13.22	238078	62	23
231440	61	2.23	236855	53	1.2	238078	63	24
231441	67	7	236973	43	46.2	238080	62	25
231443	43	46.7	236973	47	2.2	238080	63	23
231443	47	2.7	236973	59	46.2	243178	53	1.45
231443	59	46.7	236973	61	2.2	243178	57	1.39
231443	61	2.7	237271	17	5.4	243815	40	
231444	40	13.1	237271	21	5.4	243815	68	
231444	53	1.11	238056	62	2	243815	72	
231444	68	1	238056	63	3	248986	51	31
231450	43	46.12	238058	62	5	251199	51	78
231450	47	2.12	238058	63	5	252134	40	
231450	59	46.12	238059	62	12	252566	64	
231450	61	2.12	238059	63	12	252566	73	
231452	40	13.39	238060	62	1	254002	40	35.7

Part No.	Page	Item No.	Part No.	Page	Item No.	Part No.	Page	Item No.

Part No.	Page	Item No.	Part No.	Page	Item No.	Part No.	Page	Item No.

Part No.	Page	Item No.	Part No.	Page	Item No.	Part No.	Page	Item No.

Part No.	Page	Item No.	Part No.	Page	Item No.	Part No.	Page	Item No.

Part No.	Page	Item No.	Part No.	Page	Item No.	Part No.	Page	Item No.

Part No.	Page	Item No.	Part No.	Page	Item No.	Part No.	Page	Item No.

Part No.	Page	Item No.	Part No.	Page	Item No.	Part No.	Page	Item No.

Intentionally Blank



To find a dealer in your area,
Call: (503) 625-2560,
Fax: (503) 625-7269, or
Email: marketing@alliedsystems.com, or
Visit our website: <http://www.alliedsystems.com>

599015W-DRESSTA Rev. 4/2020 Printed in U.S.A.

