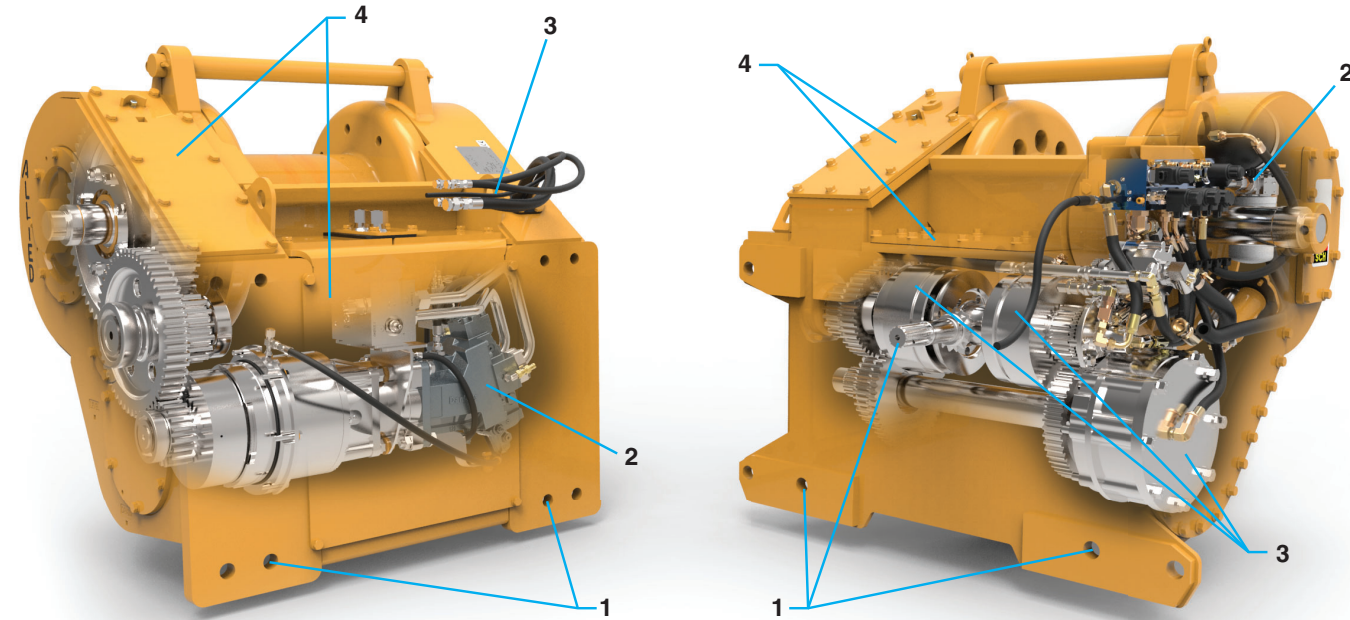


Allied Winches for Komatsu Dozers



Options



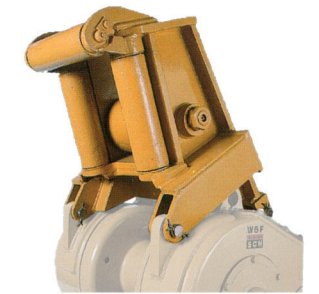
Fairlead

Designed for maximum line pull from all angles. Strong vertical and horizontal rollers to reduce wire rope damage.



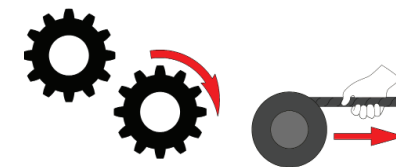
Extended Drawbar

Provides a smaller turning radius while towing auxiliary equipment and improved access on winches equipped with a fairlead.



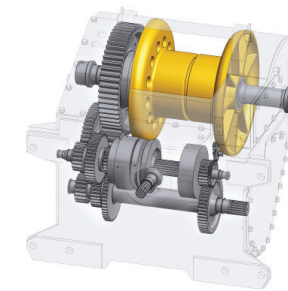
Integral Arch

Elevates the lift point of the butt-end of the log, reducing drag, making ground skidding easier.



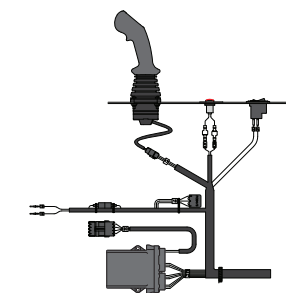
Freespool

Allows the winch line to be pulled out easily by hand. Standard on H4A and H5C winches.



Gearing

Wide variety of gear ratios to meet different line speed requirements.



Electronic Controls

Simplifies winch installation and provides excellent line speed control.

Parts



Service Parts

World-class parts support. 98% same day fill rate. Orders received by 3 PM Pacific time shipped same day. Arrives at your office by 10am next day in the U.S. by special courier.

Features

Hydraulic Winch Features

1. Simple "Plug and Play" installation – just bolt the winch to the dozer. No need for "winch ready" option on dozer
2. Motor turns only on demand – less wear and tear, quiet operation.
3. Finger tip precision control – line speeds as fine as 0.5 ft/min (150 mm/min).
4. Large covers for easy service access.

PTO Winch Features

1. Simple "Plug and Play" installation – just bolt the winch to the dozer. No need for "winch ready" option on dozer.
2. SCH (Self Contained Hydraulics) – no exposed hydraulic lines.
3. Oil Clutch, Oil Brake – eliminates adjustments, runs cooler.
4. Large covers for easy service access.



Allied Systems Company
21433 SW Oregon Street
Sherwood, OR 97140, USA
Phone: 503.625.2560
Fax: 503.625.7269 503.625.5132
marketing@alliedsystems.com
www.alliedsystems.com

ALLIED WINCHES FOR KOMATSU DOZERS

DOZER MODEL WINCH MODEL WINCH TYPE: Hydraulic or Power Take-Off	D37X-23 D37X-24 D39X-23 D39X-24	D51X-22 D51X-24	D61X-23 D61X-24	D65X-17 D65X-18	D71-24	D85ESS-2 D85E-SS-2A	D85X-15	D85X-15 D85X-18	D155X-7 D155X-8	D275X-5
	H4AT	H5C	H6H	H6H	H6H	W8L	W8L	H8L	H12E	H12E
	HYD	HYD	HYD	HYD	HYD	PTO	PTO	HYD	HYD	HYD

Standard Gear Ratio	125:1	48:1	153:1	187:1	187:1	69:1	30:1	72:1	31:1	259:1	262:1	262:1
BARE DRUM	Maximum Line Pull** lbs (kg)	35,700 (16,200)	71,400 (32,400)	83,300 (37,800)	113,800 (51,600)	113,800 (51,600)	85,400 (38,700)	79,100 (35,900)	119,600 (54,200)	150,000 (68,000)	150,000 (68,000)	150,000 (68,000)
	Maximum Line Speed fpm (mpm)	61 (19)	30 (9)	74 (23)	59 (18)	62 (19)	60 (18)	90 (27)	86 (26)	106 (32)	106 (32)	70 (21)
FULL DRUM	Maximum Line Pull** lbs (kg)	20,000 (9,100)	38,500 (17,500)	44,700 (20,300)	62,500 (28,300)	61,950 (28,100)	52,400 (23,800)	48,600 (22,000)	76,600 (34,700)	105,700 (47,900)	109,500 (49,700)	109,500 (49,700)
	Maximum Line Speed fpm (mpm)	109 (33)	55 (17)	137 (42)	110 (34)	115 (35)	98 (30)	146 (45)	140 (43)	166 (51)	166 (51)	109 (33)

Optional Gear Ratio	116:1		117:1	153:1	153:1	72:1	31:1	69:1	30:1	207:1	209:1	209:1
BARE DRUM	Maximum Line Pull** lbs (kg)	33,100 (15,000)		63,700 (28,900)	95,200 (43,200)	94,400 (42,800)	88,900 (40,300)	86,700 (39,300)	95,500 (43,300)	131,500 (59,600)	136,000 (61,700)	136,000 (61,700)
	Maximum Line Speed fpm (mpm)	66 (20)		96 (29)	72 (22)	76 (23)	58 (18)	82 (25)	108 (33)	133 (41)	133 (41)	88 (27)
FULL DRUM	Maximum Line Pull** lbs (kg)	18,500 (8,400)		34,200 (15,500)	51,100 (23,200)	50,650 (23,000)	54,600 (24,800)	53,200 (24,100)	61,000 (27,700)	84,400 (38,300)	87,000 (39,500)	87,000 (39,500)
	Maximum Line Speed fpm (mpm)	117 (36)		179 (55)	134 (41)	141 (43)	94 (29)	133 (41)	176 (54)	207 (63)	207 (63)	136 (41)

DIMENSIONAL DATA See illustrations	A	Ground to highest point	in (mm)	46 (1,168)	46 (1,168)	59 (1,499)	61 (1,549)	62 (1,575)	65 (1,651)	68 (1,727)	66 (1,676)	66 (1,676)	66 (1,676)
	B	Ground to drum center	in (mm)	35 (889)	34 (864)	45 (1,143)	47 (1,194)	48 (1,219)	50 (1,270)	53 (1,346)	50 (1,270)	50 (1,270)	50 (1,270)
	C	Ground to drawbar center	in (mm)	21 (533)	17 (432)	26 (660)	28 (711)	29 (737)	26 (660)	28 (711)	26 (660)	24 (610)	24 (610)
	D	Tractor face to end of winch	in (mm)	31 (787)	39 (991)	46 (1,168)	40 (1,016)	46 (1,168)	43 (1,092)	42 (1,067)	43 (1,092)	48 (1,219)	48 (1,219)
	E	Tractor face to drum center	in (mm)	23 (584)	30 (762)	35 (889)	29 (737)	35 (889)	32 (813)	30 (762)	32 (813)	35 (889)	35 (889)
	F	Tractor face to drawbar center	in (mm)	22 (559)	26 (660)	34 (864)	28 (711)	34 (864)	36 (914)	34 (864)	34 (864)	40 (1,016)	40 (1,016)
	G	Winch max. width (not shown)	in (mm)	29 (737)	32 (813)	40 (1,016)	40 (1,016)	40 (1,016)	41 (1,041)	41 (1,041)	43 (1,092)	49 (1,245)	49 (1,245)

SHIPPING WEIGHTS Shaded options not available	Winch, approx. w/o wire rope	lbs (kg)	1,660 (753)	2,100 (953)	2,890 (1,311)	2,830 (1,284)	2,830 (1,284)	3,100 (1,406)	3,360 (1,524)	3,400 (1,542)	3,980 (1,805)	3,980 (1,805)
	Fairlead	lbs (kg)	310 (141)	450 (204)	875 (397)	875 (397)	875 (397)	900 (408)	900 (408)	900 (408)	1,230 (558)	1,230 (558)
	Drawbar	lbs (kg)	30 (14)	w/ winch	w/ winch	w/ winch	w/ winch	w/ winch	w/ winch	w/ winch	w/ winch	w/ winch
	Integral Arch	lbs (kg)	500 (227)	875 (397)		1,100 (499)	1,100 (499)					

WIRE ROPE CAPACITY Shaded sizes not available Capacity per SAE J1158	WINCH MODEL	Barrel Diameter	WIRE ROPE DIAMETER						FERRULE (Swaged Drum Type)			
	H4A	8 in. (203 mm)	1/2 in. (13 mm)	5/8 in. (16 mm)	3/4 in. (19 mm)	7/8 in. (22 mm)	1 in. (25 mm)	1 1/8 in. (29 mm)	1 1/4 in. (32 mm)	Name	Length	Diameter
	H5C	9 in. (217 mm)	422 ft. (129 m)	277 ft. (84 m)	195 ft. (59 m)					Bantam	2 in. (51 mm)	1.5 (38 mm)
	H6H	10 in. (254 mm)		423 ft. (129 m)	298 ft. (91 m)	215 ft. (66 m)				Light	2.25 (57 mm)	2 in. (51 mm)
	H8L	12 in. (305 mm)			413 ft. (126 m)	297 ft. (91 m)	230 ft. (70 m)			Light	2.25 (57 mm)	2 in. (51 mm)
	H12E	14 in. (356 mm)				430 ft. (131 m)	334 ft. (102 m)	267 ft. (81 m)		Junior	2.375 (60 mm)	2.25 (57 mm)

Notes:
 **Maximum line pull is the lesser of the maximum line pull that the tractor will develop with the standard gear ratio or the breaking strength for the maximum recommended wire rope for that winch model.
 Where general information, pictures and descriptions are provided, some illustrations and specifications may require options not shown in the picture or included in the description.
 Specifications are subject to change without notice or obligation. Please consult your dealer for details.

