

PARTS LIST SECTION
CARCO MODEL 60-PS, PSM AND PSC WINCH
WITH INTERNAL HYDRAULICS
 FOR
KOMATSU D53A-16 AND 57S-1 TRACTORS
S/N65001 AND UP

	Page
BEVEL GEAR SHAFT	16-17
BEVEL GEAR AND PINION GROUP (PS AND PSM)	20-21
BEVEL GEAR AND PINION GROUP (PSC)	20-21
BRAKE CONTROL (PS, SPRING APPLIED)	28
BRAKE CONTROL (PSM AND PSC, MANUAL)	29
BRAKE CYLINDER	30
BRAKE SHAFT, BRAKE BAND AND LINING	23
CLUTCH	18
CONTROL GROUP (CONTROL STANDS, CONTROL CABLES, PRESSURE GAUGES)	4, 5, 6, 7
CONTROL STAND COMPONENTS (POWER SHIFT)	31
CONTROL STAND COMPONENTS (PSM AND PSC, MANUAL)	34
CONTROL STAND COMPONENTS (FREE SPOOL)	32-33
CONTROL VALVE	10-11
DRUM SHAFT STANDARD (NO FREE SPOOL)	25
DRUM SHAFT (WITH FREE SPOOL)	26-27
FAIRLEAD	37
HYDRAULIC TUBING AND FITTINGS	12-13
IDLER SHAFT (NO FREE SPOOL)	24
IDLER SHAFT (WITH FREE SPOOL)	26-27
INTEGRAL ARCH ASSEMBLY	39
MOUNTING GROUP WITH OR WITHOUT ARCH (PTO SHAFT, STUDS, CAP SCREWS)	3
PUMP GROUP (PUMP, TUBING, FILTER)	14-15
PRESSURE GAUGE KIT COMPONENTS	35-36
WINCH CASE	8-9

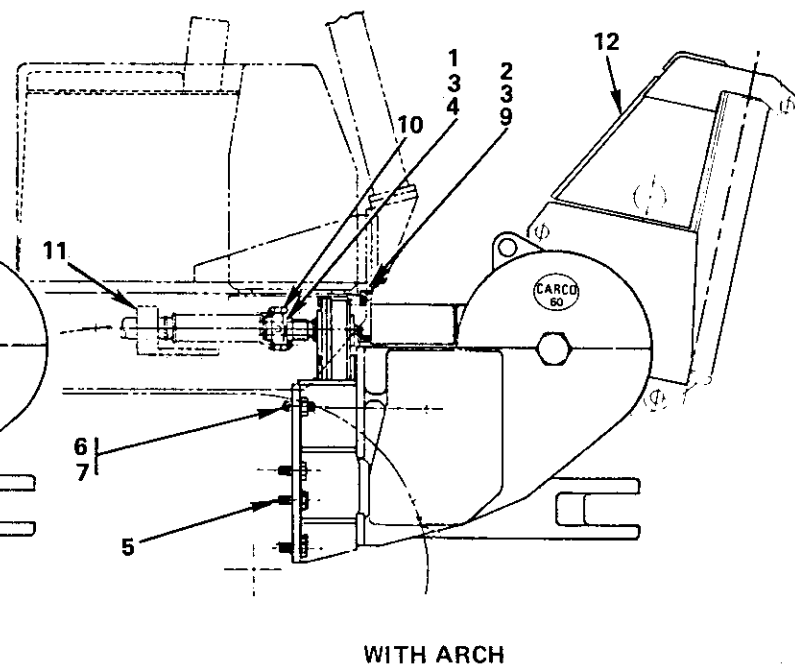
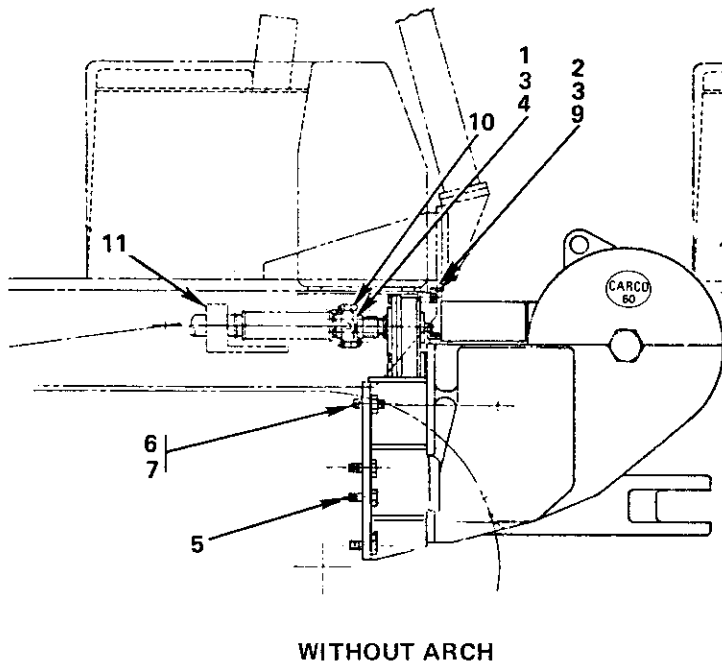
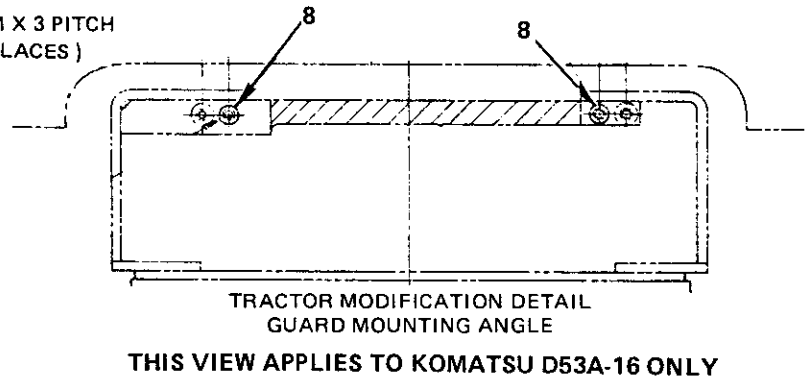
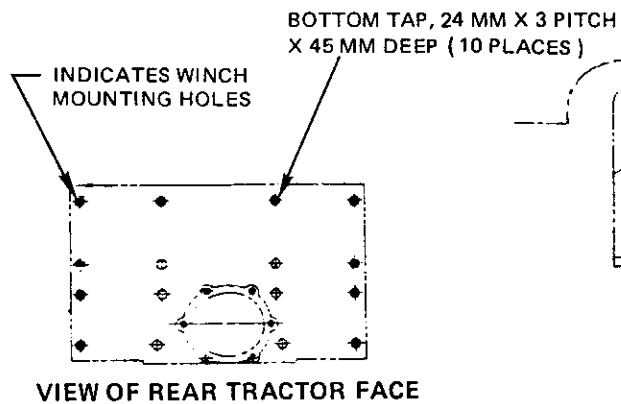
Note: Purchased parts, such as bearings and oil seals may be substituted with parts of equal quality on the manufacturer's recommendation, and with the approval of Pacific Car and Foundry Company.

ATTENTION: Be sure to give correct part number, part name and complete serial number of winch when ordering. Also name and model of the tractor on which the winch is mounted

CARCO
 WINCH PRODUCTS

PACIFIC CAR AND FOUNDRY COMPANY • A DIVISION OF **PACCAR**
 1400 NORTH FOURTH STREET, RENTON, WASHINGTON 98055 U.S.A.
 TELEPHONE: (206) 235-2799 TELEX 32-8942

CARCO MODEL 60-PS, PSM & PSC WINCH
MOUNTING GROUP PARTS LIST—PAGE 3
KOMATSU D53A-16 & 57S-1 TRACTORS S/N65001 & UP



MOUNTING GROUP NO. 52193

REF.	CARCO PART NO.	NAME AND DESCRIPTION	QUAN. PER UNIT
1	16401-06	Nut, 3/8 UNF Hex	4
2	16047-608	Cap Screw, 3/8 UNC x 1 H.H.	2
3	16067-6	Lock Washer, 3/8	6
4	16399-0616	Cap Screw, 3/8 UNF x 3/4 H.H.	4
5	16425-31	Cap Screw, M24 x 3.00 x 60 MM H.H.	6
6	16458-5	Nut, M24 x 3 - 6H Hex	4
7	50036-9	Stud	4
8	52681-02	Tapping Pad	2
9	52191	Angle	1
10	52869	Splined Yoke	1
* 11	See Below	PTO Shaft Group	1
** 12	53299	Integral Arch Assembly	1

*D53A-16 use Komatsu PTO Shaft Group P/N 134-960-1000 Stock No. 0531243

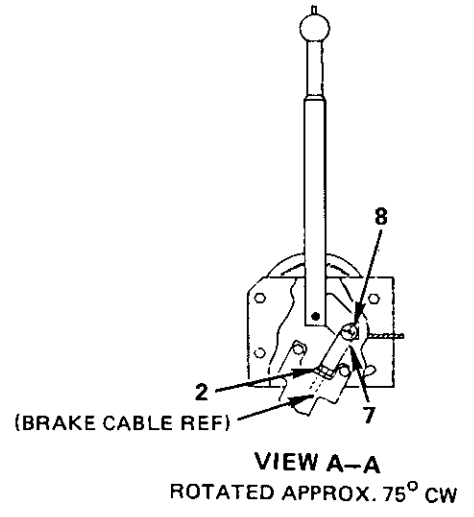
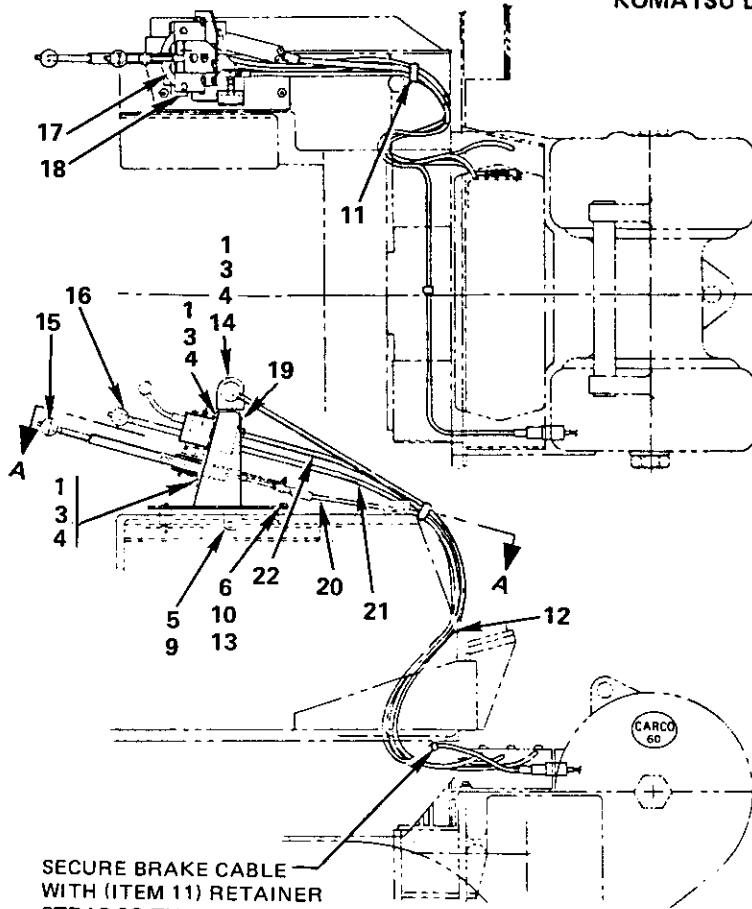
D57S-1 use Komatsu PTO Shaft Group P/N 135-960-1000 Stock No. 0571243

**See page 39 for integral arch components.

CARCO MODEL 60-PS WINCH
CONTROL GROUP PARTS LIST—PAGE 5
KOMATSU D53A-16 & 57S-1 TRACTORS. S/N65001 AND UP

CONTROL GROUP (PS, WITH FREE SPOOL) NO. 52315
NOT CURRENTLY AVAILABLE.

CARCO MODEL 60-PSM & PSC WINCH
 CONTROL GROUP PARTS LIST—PAGE 7
 KOMATSU D53A-16 & 57S-1 TRACTORS, S/N65001 & UP



CONTROL GROUP (PSM & PSC, WITH FREE SPOOL) NO. 52843

REF.	CARCO PART NO.	NAME AND DESCRIPTION	QUAN. PER UNIT
1	16033-6	Nut, 3/8 UNC Hex	9
2	16044-6	Jam Nut, 3/8 UNF Hex	1
3	16047-608	Cap Screw, 3/8 UNC x 1 H.H.	9
4	16067-6	Lock Washer, 3/8	9
5	16067-7	Lock Washer, 7/16	1
6	16067-8	Lock Washer, 1/2	2
7	16245-6	Yoke, CLEVELAND 2708-4A	1
8	16246-6	Pin Assembly, CLEVELAND 2708-1/2-4A	1
9	16425-19	Cap Screw, M10 x 1.5 x 35 MM	1
10	16425-20	Cap Screw, M12 x 1.75 x 75 MM	2
11	16459-1	Retaining Strap, ADEL 668-4-8-0R	2
12	45418-9	Trim	1
13	46126-816	Spacer	2
14	48700-120	Pressure Gauge Kit	1
15	49434-7	Control Stand, Brake	1
16	49805-8	Control Stand, Power Shift And Free Spool	1
17	51600	Shift Instruction Plate	1
18	51607	Free Spool Instruction Plate	1
19	52319-1	Control Stand Bracket	1
20	48850-108	Control Cable, Brake	1
21	52000-096	Control Cable, Power Shift	1
22	52000-102	Control Cable, Free Spool	1

Note: See Page 29 For Brake Control Group.

CARCO MODEL 60-PS, PSM & PSC WINCH
PARTS LIST SECTION--PAGE 9
WINCH CASE
KOMATSU D53A-16 & 57S-1TRACTORS.S/N65001 & UP

REF.	CARCO PART NO.	NAME AND DESCRIPTION	QUAN. PER UNIT	
1	16169-8	Plug, 1/2 NPT Sq. Hd.	1	
2	16168-16	Plug, 1 NPTF Mag. Sq. Hd.	1	
3	16290-1616	Dowel Pin, 1/2 x 1	2	
*	4	51901	Case Complete (includes items 12 and 14)	1
5	42048	Cover	1	
6	16064-10	Washer, 5/8	2	
7	16047-1008	Cap Screw, 5/8 UNC x 1 H.H.	2	
8	44816	Cover	1	
9	16064-8	Washer, 1/2	22	
10	16047-810	Cap Screw, 1/2 UNC x 1-1/4 H.H.	40	
11	45972	Cover	1	
*	12	44415	Brake Case Cover	1
13	45050-1655	Stud	2	
*	14	44440	Gear Case Cover	1
15	16288-1272	Cotter Pin, 3/8 x 4-1/2	1	
16	16064-16	Washer, 1	4	
17	16047-1628	Cap Screw, 1 UNC x 3-1/2 H.H.	2	
18	52322	Valve Housing Cover	1	
19	51890	Filter Cover Gasket	1	
20	16067-8	Lock Washer, 1/2	16	
21	16064-6	Washer, 3/8	14	
22	Reference Only	Housing (See Page 11)	1	
23	51144	Gasket	1	
24	51535	Gasket	1	
25	52037	Drawbar Pin	1	
26	51889	Suction Filter Cover	1	
27	16047-608	Cap Screw, 3/8 UNC x 1 H.H.	14	
28	16246-8	Yoke Pin Assembly, CLEVELAND 2708½-6A	1	
29	52084	Support Bracket	1	
30	52085	Latch,	1	
31	16249-1	Relief Plug, ALEMITE 317400	1	
32	16047-1220	Cap Screw, 3/8 UNC x 2-1/2 H.H.	4	
33	16064-12	Washer, 3/8	4	
34	49043-1	Cable Guard (includes item 15)	1	
35	16033-16	Nut, 1 UNC Hex	2	
36	16220-38	Plug, WHITE 1604-136-Y	1	
37	44833	Gasket	1	
**	38	Ref. only	See note below	1
39	44815	Gasket	1	
40	16150-2	Elbow, 1/8 NPT 90° Street	1	
41	16055-5	Drive Screw, #10 x 3/8 Type U	4	
42	52126	Name Plate	1	
43	16167-6	Plug, 3/8 NPT Hex Soc.	2	
44	16169-20	Plug, 1-1/4 NPT Sq. Hd.	1	
45	49044	Instruction Plate	1	
**	46	16453-5	Sealant (Not Shown). DOW-CORNING Silastic No. 732 RTV 5 oz. tube	1
47	16525-0024	Pipe Plug, HITACHI 81-40576 Sq. Hd. Slotted	1	

*Items 4, 12 and 14 cannot be ordered separately.

**Model 60 winches do not use a gasket. Use Silastic Sealer #732 RTV, item 46 or equivalent to seal items 11, 12 and 14 to case.

CARCO MODEL 60-PS, PSM & PSC WINCH
PARTS LIST SECTION—PAGE 11
CONTROL VALVE
KOMATSU D53A-16 & 57S-1 TRACTORS. S/N65001 & UP

REF.	CARCO PART NO.	NAME AND DESCRIPTION	QUAN. PER UNIT
1	16056-612	Set Screw, 3/8 UNC x 3/4 Hex Soc. Cup Pt.	1
2	16262-115	O-Ring, NAT'L. 622713	1
3	16445-4	Cap Nut, AEROQUIP 21029-4	1
4	16129-44	Connector, WTHRD. C5205 x 4 x 4	1
5	16362-44	Snubber, CHEMIQUIP 25B-D	1
6	16171-44	Elbow, WTHRD. 3400 x 4	1
7	51124-050	Valve Housing	1
8	16364-2040	Connecting Link, ANSI 2040	1
9	51865	Cable Guide	1
10	16047-610	Cap Screw, 3/8 UNC x 1-1/4 H.H.	2
11	16047-612	Cap Screw, 3/8 UNC x 1-1/2 H.H.	2
12	51130	Control Valve	1
13	51698-1	Support Assembly	1
14	51883-1	Retainer Assembly	1
15	16262-912	O-Ring, NAT'L. 600501	1
16	51894	Spring	1
17	52392	Spring	1
18	51164	Accumulator Check Piston	1
19	51886	Seat	1
20	16262-116	O-Ring, NAT'L. 622714	1
21	51881-10	Shim Set	1
22	52289	Connector (Also shown on page 13)	1
23	16262-908	O-Ring, NAT'L. 600503 (Also shown on page 13)	2
24	16471-8	Ball Check, Nylon Type 101 (Also shown on page 13)	1
25	16496-8	Plug, Parker 8HP50N-S	1
*	26	Valve Body	1
27	16217-8	Steel Ball, 1/2	7
28	16290-814	Dowel Pin, 1/4 x 7/8	1
29	16314-150	Retaining Ring, TRUARC N5000-150	1
30	45622	Washer	1
31	16313-75	Retaining Ring, TRUARC 5100-75	1
32	45623	Spring Stop	1
33	45549	Outer Spring	1
34	45548	Inner Spring	1
35	44259-1	Spring Stop	1
*	36	Valve Spool (See note & kit No. below)	1
37	16057-608	Set Screw, 3/8 UNF x 1/2 Hex Soc. Cup Pt.	1
38	16262-215	O-Ring, NAT'L. 622720	1
*	39	Piston (See note & kit No. below)	1
40	45857	Spring	1
41	16308-131	Retaining Ring, SPIROLOX RS-131	1
42	51154	Spring Stop	1
43	16305-157	Retaining Ring, SPIROLOX RR-157	1
44	16262-210	O-Ring, NAT'L. 622715	1
**	45	Relief Valve Seat	1
**	46	Relief Valve Piston	1
47	52719	Spring, LEMPCO 9-1016-2	1
**	48	Relief Valve Tube	1
49	51133	Retaining Screw	1
50	16044-12	Jam Nut, 3/4 UNF Hex	1
51	51135	Adjusting Screw	1
52	16064-6	Washer, 3/8	1

*Items 26, 36 & 39 not serviced separately. Order 51130 control valve.

**Available in kit only. See No. 52652 kit below.

NOTE: To service valve spool, order repair kit No. 52651 consisting of items 24, 29, 31, 33, 34, 37, 38, 40, 41 and 43.

To service relief valve, order repair kit No. 52652 consisting of items 44, 45, 46, 47 and 48.

To service accumulator check valve, order repair kit No. 52653 consisting of items 15, 16, 17, 18, 19, 20 and 21.

CARCO MODEL 60-PS, PSM & PSC WINCH
PARTS LIST SECTION—PAGE 13
HYDRAULIC TUBING & FITTINGS
KOMATSU D53A-16 & 57S-1TRACTORS. S/N65001 & UP

REF.	CARCO PART NO.	NAME AND DESCRIPTION	QUAN. PER UNIT
1	16497-0004	Elbow, GRINELL 1109	1
2	16137-0064	Elbow, WTHRD. 7405 x 6	1
3	16521-6	Nut, PARKER BU6	4
4	16522-6	Sleeve, PARKER TU6	4
5	16137-44	Elbow, WTHRD. 7405 x 4 x 4	1
6	51957-04	Brake Return Tube	1
7	16485-0006	Elbow, WTHRD. 7506 x 6	2
8	16521-8	Nut, PARKER BU8	4
9	16522-8	Sleeve, PARKER TU8	4
10	16481-0006	Connector, WTHRD. 7315 x 6	2
11	16262-906	O-Rings, NAT'L. 600593	3
12	51869	Clamp	1
13	51868	Plate	1
14	16481-0046	Connector, WTHRD. 7315 x 4 x 6	1
15	16481-8	Connector, WTHRD. 7315 x 8	1
* 16	16262-908	O-Ring, NAT'L. 600503	6
17	16476-8	Elbow, 7515 x 8	1
18	16521-4	Nut, PARKER BU4	2
19	16522-4	Sleeve, PARKER TU4	2
20	16485-0008	Elbow, WTHRD. 7506 x 8	2
21	16047-407	Cap Screw, 1/4 UNC x 7/8 H.H.	1
22	16357-0820	Shoulder Screw, 3/8 UNC x 2-1/2 Hex. Soc. Hd.	1
* 23	52289	Connector	1
* 24	16471-8	Ball Check, Nylon Type 101	1
25	16137-0066	Elbow, WTHRD. 7405 x 6 x 6	1
26	51957-01	Brake Pressure Tube	1
27	51958-07	Forward Clutch Tube	1
28	51956-01	Pressure Gauge Tube	1
29	16482-0086	Connector, WTHRD. 7205 x 8	2
30	51958-10	Reverse Clutch Tube	1
31	16158-407	Nipple, 1/4 NPT x 7/8	1
32	16475-2	Accumulator, GREER 5-30RSC-S-1/2	2
33	16498-0086	Elbow, WTHRD. C3459 x 8	1
34	16160-06	Nipple, WTHRD. C3069 x 6	2
35	16114-0086	Adapter, WTHRD. C3269 x 8 x 6	2
36	46126-407	Spacer	1
37	16047-414	Cap Screw, 1/4 UNC x 1-3/4 H.H.	1
38	16482-0044	Connector, WTHRD. 7205 x 4 x 4	1
39	16021-3	Machine Screw, 10-24 UNC x 5/8 Rd. Hd.	1
40	16021-12	Machine Screw, 10-24 UNC x 1-1/2 Rd. Hd.	1
41	16033-1024	Nut, 10-24 UNC Hex	1
42	16069-3	Star Washer, #10 Ext. Tooth	1
43	16077-3	Washer, 3/16	1
44	16520-01	Swivel Clamp, ADEL 1789-X4-4	1

* These items also shown with control valve. page 11

CARCO MODEL 60-PS, PSM & PSC WINCH
PARTS LIST SECTION—PAGE 15
PUMP GROUP
KOMATSU D53A-16 & 57S-1TRACTORS. S/N65001 & UP

REF.	CARCO PART NO.	NAME AND DESCRIPTION	QUAN. PER UNIT
1	16313-62	Retaining Ring, TRUARC 5100-62	2
2	51056	Gear	1
3	15305	Needle Bearing	1
* 4	51525-1	Mount Assembly (Includes Items 3 and 5)	1
5	16507-0003	Threaded Insert	2
6	16024-15	Cap Screw, 3/8 UNC x 1-3/4 Dr. Hd.	1
7	16348-1	Washer, CARR LANE CL-1-FW	2
8	16024-16	Cap Screw, 3/8 UNC x 2-1/4 Dr. Hd.	1
9	16284-95	Pump Shaft Seal, WEBSTER 151-35818	1
10	16226-7	Key, WOODRUFF No. 3, 1/8 x 1/2	1
11	16476-8	Elbow, WTHR'D. 7515 x 8	1
12	16262-908	O-Ring, NAT'L. 600503	1
13	16520-01	Swivel Clamp, ADEL 1789-X44	1
14	16521-8	Nut, PARKER BU8	4
15	16522-8	Sleeve, PARKER TU8	4
16	51958-13	Pump Tube	1
17	51958-02	Pressure Tube	1
18	16474-12	Elbow, LENZ A-405-12	1
19	16262-912	O-Ring, NAT'L. 600501	1
20	16509-08	Elbow, WTHR'D. 7505 x 8	1
21	16021-3	Screw, 10-24 UNC x 5/8 Rd. Hd.	1
22	51959-52	Suction Tube	1
23	16262-116	O-Ring, NAT'L. 622714	2
24	16069-4	Lock Washer, 1/4 Ext. Tooth	2
25	16047-428	Cap Screw, 1/4 UNC x 3-1/2 H.H.	2
26	16473	Filter, MARVEL 620-5-M-200	1
27	51956-05	PTO Lube Tube	1
28	16521-4	Nut, PARKER BU4	1
29	16522-4	Sleeve, PARKER TU4	1
** 30	51530-1	Pump (See Below)	1
31	16055-12	Tapping Screw, 1/4 x 3/4 Type F Fl. Hd.	1
32	48427-2	Wire, 18 Ga. x 18"	1

* Item 4 is part of 51529-3 pump assembly.

** No pump parts other than items 9 and 10 are serviceable items. Order 51530-1 pump

CARCO MODEL 60-PS, PSM & PSC WINCH
PARTS LIST SECTION—PAGE 17
BEVEL GEAR SHAFT
KOMATSU D53A-16 & 57S-1TRACTORS, S/N65001 & UP

REF.	CARCO PART NO.	NAME AND DESCRIPTION	QUAN. PER UNIT
1	16166-20	Plug, PARKER 05PO-20	2
2	44753	Spring	2
3	44949	Seal (includes item 25)	2
4	16047-810	Cap Screw, 1/2 UNC x 1-1/4 H.H.	12
5	44432	Retainer	2
6	44431	Shim Set	2
7	41742	Stub Shaft	2
8	44478	Clamp Ring	2
9	44336	Shim Set	2
10	15179	Bearing Cup	2
	15180	Bearing Cone	2
11	45018	Thrust Washer	2
12	15253	Bearing Set (Matched)	2
13	44446	Retaining Ring	2
14	44343	Retaining Ring	2
15	48864	Pinion	2
16	45017	Thrust Washer	2
17	51271-1	Clutch (See Page 18 for Clutch Parts, includes items 13 and 14).	2
18	44452	Static Seal	4
19	15030	Ball Bearing	2
20	51080	Spacer	1
21	44433	Shaft	1
22	16064-8	Washer, 1/2	12
23	44940	Washer	2
24	45028	Gasket	2
25	16262-121	O-Ring, NAT'L. 610067	2

THIS PAGE INTENTIONALLY BLANK

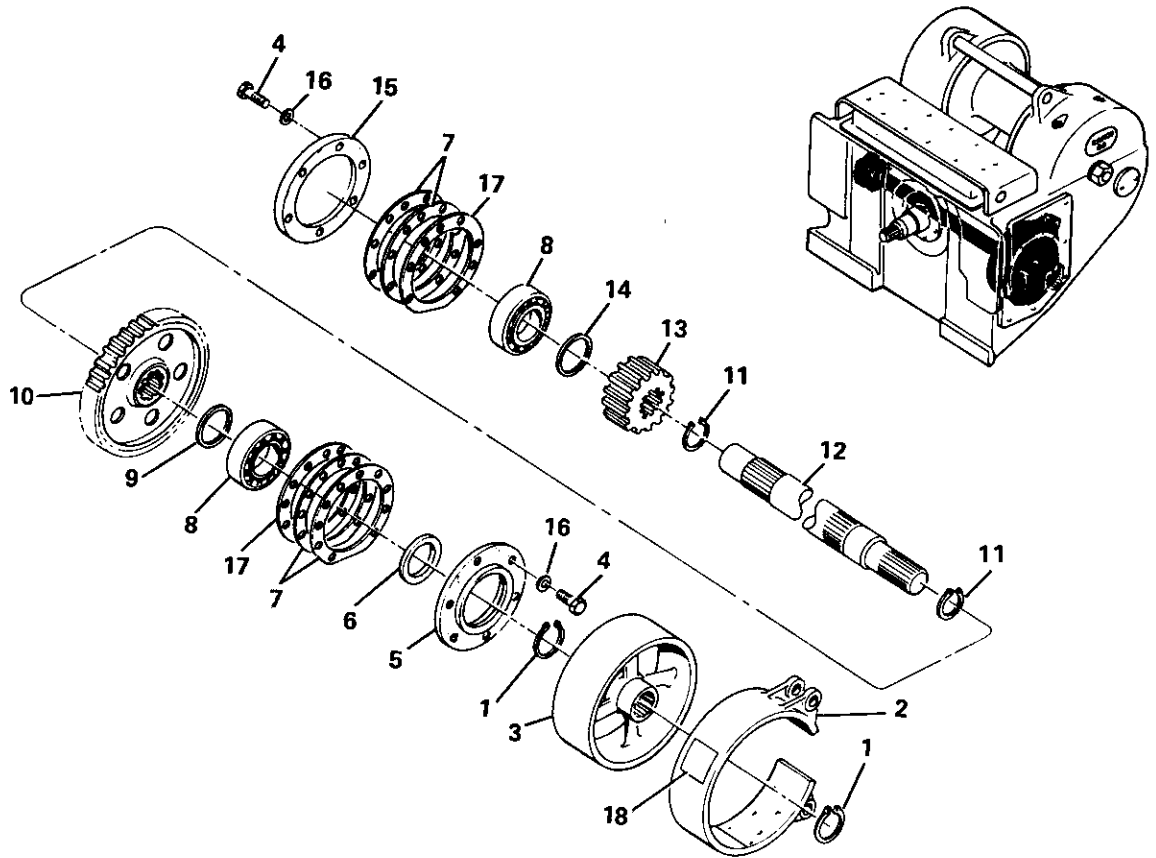
CARCO MODEL 60-PS, PSM & PSC WINCH
PARTS LIST SECTION—PAGE 21
KOMATSU D53A-16 & 57S-1 TRACTORS. S/N65001 & UP

REF.	CARCO PART NO.	NAME AND DESCRIPTION	QUAN. PER UNIT
1	15148	Bearing Cup	1
2	15149	Bearing Cone	1
3	15173	Bearing Cup	1
4	15175	Bearing Cone	1
5	15301	Ball Bearing	3
6	15302 <i>304164</i>	Ball Bearing -w/ snapping	1
7	16041-7	Lock Nut, TIMKEN TN-07	2
8	16047-607	Cap Screw, 3/8 UNC x 7/8 H.H.	2
9	16047-608	Cap Screw, 3/8 UNC x 1 H.H.	13
10	16047-812	Cap Screw, 1/2 UNC x 1-1/2 H.H.	8
11	16064-6	Washer, 3/8	15
12	16064-8	Washer, 1/2	8
13	16168-8	Pipe Plug, 1/2 NPT Sq. Hd. Mag.	1
14	16237	Shim Set	1
15	16292-1216	Spring Pin, Rollpin 3/8 x 1	2
16	16308-212	Retaining Ring, SPIROLOX RS-118	3
17	16342-24	Oil Seal. NAT'L. 410524	1
18	45084-5	Spacer	1
19	50320	Pinion Gear	2
20	51054	Pump Drive Pinion	1
21	52151-1	Gear Housing Assembly	1
22	52169	Bearing Retainer	1
23	52170	Idler Shaft	1
24	52171	Spur Gear	1
25	52172	Plug	1
26	52302	Bearing Housing	1
27	52304-1	Shaft Assembly	1
28	52840	Angle	1
29	16169-8	Plug, 1/2 NPT Sq. Hd.	1
30	16063-22	Washer, 1-3/8	1
31	45088	Shim Set	1
* 32	52175	Bevel Pinion (11T)	1
* 33	50828	Bevel Gear (43T)	1
** 34	52851	Bevel Pinion (11T)	1
** 35	50806	Bevel Gear (35T)	1

*Model 60 PSC winch use items 32 & 33, gear set No. 52150-101, Ratio 3.91/1 -

**Model 60 PS & PSM winch use items 34 & 35, gear set No. 52150-102, Ratio 3.18/1

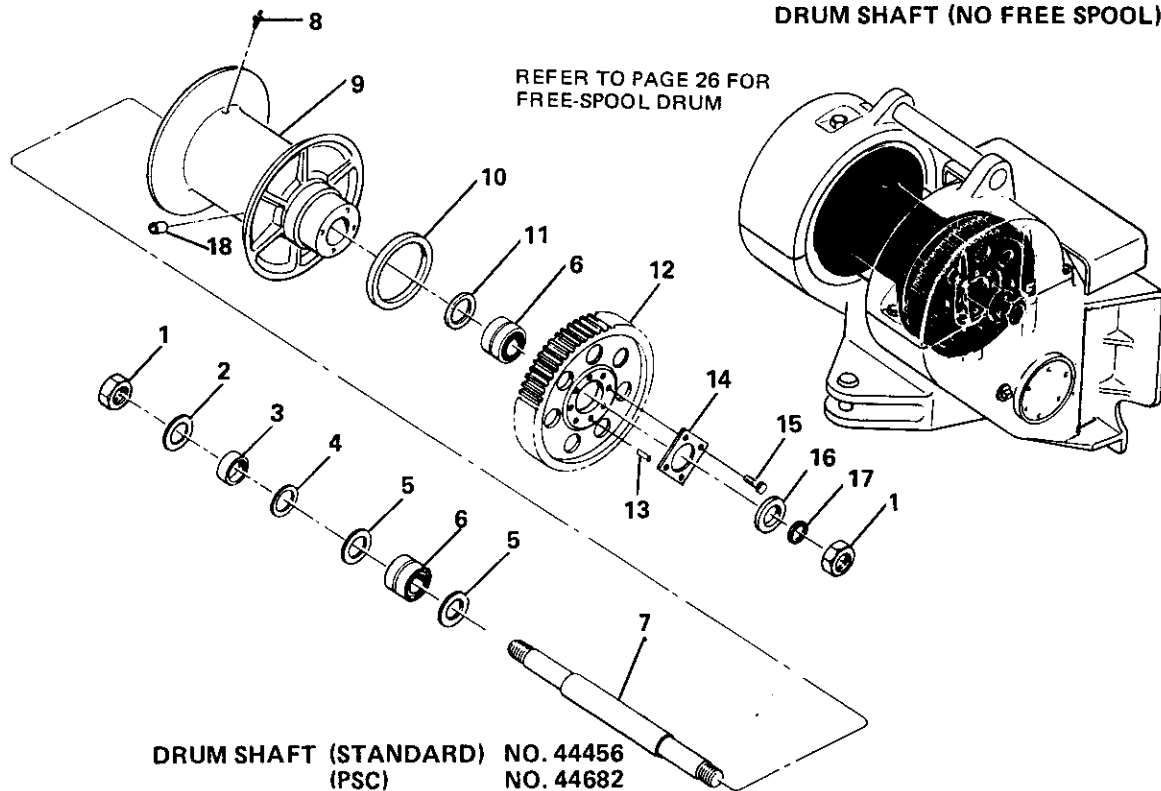
CARCO MODEL 60-PS, PSM AND PSC WINCH
 PARTS LIST SECTION—PAGE 23
 BRAKE SHAFT



BRAKE SHAFT GROUP NO. 52052

REF.	CARCO PART NO.	NAME AND DESCRIPTION	QUAN. PER UNIT
1	16313-200	Retaining Ring, TRUARC 5100-200	2
2	46602	Brake Band Assembly (includes following)	1
	46603	Brake Block	3
	16323-808	Rivet, 1/4 x 1/2 Tub. Brass	30
3	44420	Brake Drum	1
4	16047-810	Cap Screw, 1/2 UNC x 1-1/4 H.H.	12
5	44435	Carrier	1
6	16342-1	Oil Seal, NAT'L. 415659	1
7	44431	Shim Set	2
8	15074	Ball Bearing	2
9	44463-2	Spacer	1
10	44436	Gear	1
11	16313-231	Retaining Ring, TRUARC 5100-231	2
12	44434	Brake Shaft	1
13	45012	Pinion	1
14	44463-1	Spacer	1
15	44464	Cover	1
16	16064-8	Washer, 1/2	12
17	45028	Gasket	2
18	51955	Asbestos Warning Plate	1

CARCO MODEL 60-PS, PSM & PSC WINCH
PARTS LIST SECTION—PAGE 25
DRUM SHAFT (NO FREE SPOOL)



REF.	CARCO PART NO.	NAME AND DESCRIPTION	QUAN. PER UNIT
***	1	Nut, 2-1/2 UN Hex Jam	2
	2	Oil Seal, NAT'L. 455379	1
	3	Spacer	1
	4	Shim	2
	5	Seal Washer	2
	6	Brg. (Matched Set)	2
***	7	Shaft	1
	8	Fitting, ALEMITE 1610BL	1
	9	{ 44456 Standard Drum 44682 High Capacity Drum (PSC Only)	1
*	10	Oil Seal, NAT'L. 415300	1
	11	Oil Seal, NAT'L. 455137	1
	12	Gear	1
**	13	Dowel Pin	4
	14	Lock	1
	15	Cap Screw, 3/4 UNF x 2-1/4 H.H.	4
	16	Spacer	1
	17	O-Ring, NAT'L. 622735	1
	18	{ 25457-3 Ferrule for 1 Wire Rope 25457-2 Ferrule for 7/8 Wire Rope 25457-1 Ferrule for 3/4 Wire Rope	1

NOTES:

*Optional high capacity drum is standard on PSC models.

**When bull gear or cable drum is replaced, dowel holes must be drilled 5/64" and reamed .9057"/.9077" to accommodate oversize 45081-2 dowels.

***For extended drum shaft order 46925 shaft and 2 each 10641-14 nut, Timken TN 14.

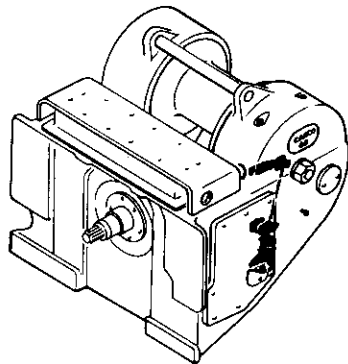
CARCO MODEL 60-PS, PSM & PSC WINCH
PARTS LIST SECTION—PAGE 27
DRUM SHAFT AND IDLER SHAFT FREE SPOOL ASSY.

REF.	CARCO PART NO.	NAME AND DESCRIPTION	QUAN. PER UNIT
1	16041-6	Lock Nut, TIMKEN TN-06	1
2	16044-6	Nut, 3/8 UNF Hex Jam	1
3	16047-608	Cap Screw, 3/8 UNC x 1 H.H.	1
4	16047-806	Cap Screw, 1/2 UNC x 3/4 H.H.	2
5	16047-812	Cap Screw, 1/2 UNC x 1-1/2 H.H.	2
6	16313-62	Retn'g Ring, TRUARC 5100-62	1
7	16056-606	Set Screw, 3/8 UNC x 3/8 Hex Soc. Cup Pt.	1
8	16067-6	Lock Washer, 3/8	2
9	16064-8	Washer, 1/2	11
10	16064-10	Washer, 5/8	2
11	16226-1	Key, WOODRUFF No. 1 5/32 x 5/8	2
12	16292-616	Spring Pin, ROLLPIN 3/16 x 1	1
13	16342-19	Oil Seal, NAT'L. 410791	2
14	16403-2	Ball Plunger, CARR-LANE CL-70-BP3	1
15	16404-14	Cam Follower, TORR. CR-14	1
16	See Below	Control Cable (see note below)	1
17	49332	Control Cable Pin	1
18	49333-1	Disc Spring	1
19	49936-60	Bull Pinion	1
20	49940-50	Guide	1
21	49941-50	Control Lever	1
22	49943	Coupling	1
23	49944-50	Shift Flange Assy.	1
24	49947	Shift Cam	1
25	49949	Shift Lever	1
26	52439	Shifter Shaft	1
27	49952-11	Bracket	1
28	49953	Thrust Washer	2
29	49954	Idler Shaft Gear	1
30	49955	Idler Shaft	1
31	49956	Guard	1
32	16006-21	Bushing, OILITE AA-710-8	1
33	{ 44456	Standard Drum	1
	{ 44682	High Capacity Drum	1
34	49957-40	Split Nut	1
35	16045-712	Cap Screw, Self Locking 7/16UNF x 1-1/2 Hex Soc. Hd.	1
36	16343-21	Oil Seal, NAT'L. 455379	1
37	44457-1	Spacer	1
38	44881	Shim	2
39	44458	Seal Washer	2
40	15299	Bearing Set	1
41	44459	Drum Shaft	1
42	16222-2	Fitting, ALEMITE 1610BL	1
43	16342-10	Oil Seal, NAT'L. 415300	1
44	16343-16	Oil Seal, NAT'L. 455137	1
45	15200	Bearing Set	1
46	44461	Gear	1
** 47	45081-2	Dowel Pin	4
48	44469	Lock	1
49	16048-1218	Cap Screw, 3/4 UNF x 2-1/4 H.H.	4
50	44460-3	Spacer	1
51	16262-332	O-Ring, NAT'L. 622735	1
52	16044-40	Nut, 2-1/2 UN Hex Jam	1
	{ 25457-3	Ferrule for 1 Wire Rope	1
53	{ 25457-2	Ferrule for 7/8 Wire Rope	1
	{ 25457-1	Ferrule for 3/4 Wire Rope	1
54	16047-810	Cap Screw, 1/2 UNC x 1-1/4 H.H.	6
55	44464	Cover	1
56	44431	Shim Set	1
57	45028	Gasket	1
58	15296	Roller Brg.	2
59	16056-612	Set Screw, 3/8 UNC x 3/4 Hex Soc. Cup Pt.	1
60	52395-60	Bull Pinion Bushing	1
61	52399	Cable Adapter	1

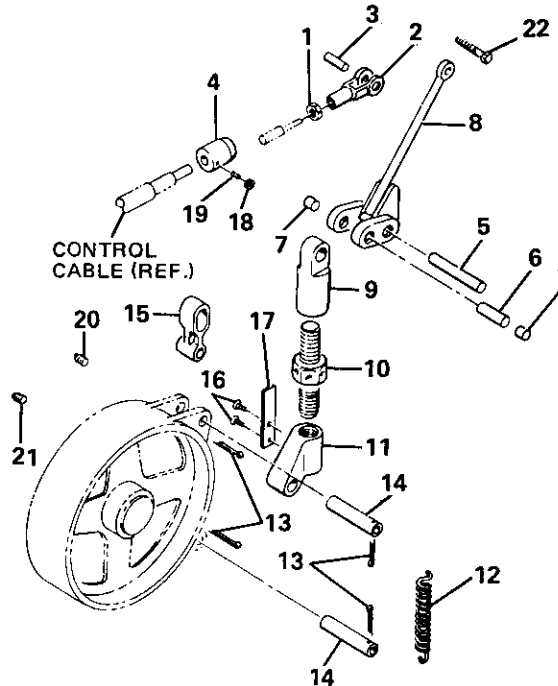
* Use 52400 series cable. For length see listings under control group page in service manual

** When bull gear or cable drum is replaced, dowel holes must be drilled 57/64" and reamed .9057/.9077 to accommodate oversize 45081-2 dowels.

CARCO MODEL 60-PSM & PSC WINCH
PARTS LIST SECTION—PAGE 29
BRAKE CONTROL (MANUAL)



* DIAGRAM SHOWS PINS (ITEMS 5 AND 6)
IN LOCATIONS FOR OVERWIND CABLE
DRUM OPERATIONS

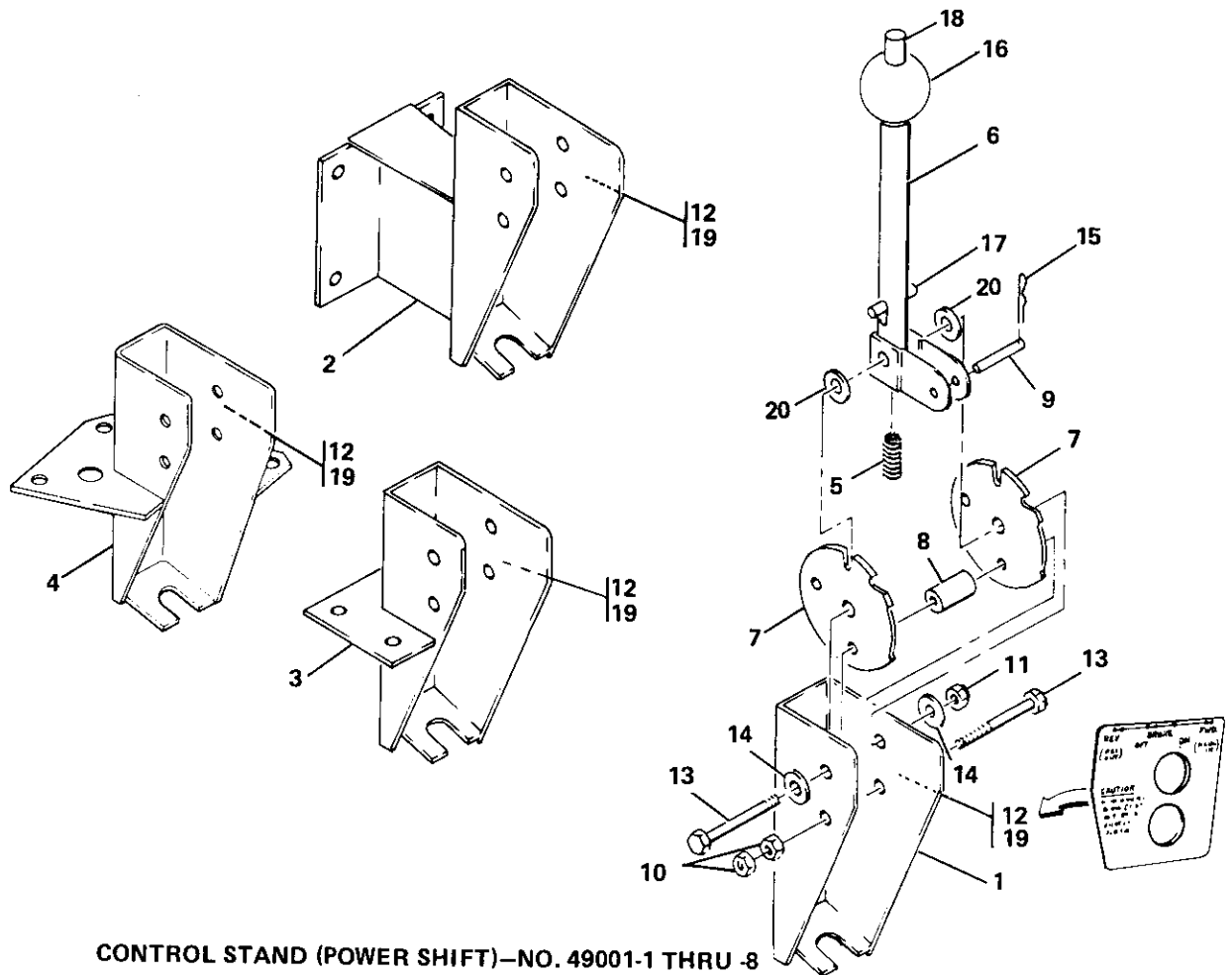


MANUAL BRAKE CONTROL GROUP NO. 52073

REF.	CARCO PART NO.	NAME AND DESCRIPTION	QUAN. PER UNIT
1	16044-6	Nut, 3/8 UNF Hex Jam	1
2	16245-6	Yoke, CLEVELAND 2708-4A	1
3	16246-6	Pin, CLEVELAND 2708-1/2-4A	1
4	45351-1	Anchor	1
* 5	44428	Pin	1
* 6	44429	Pin	1
7	44687-2	Spacer	2
8	44984	Arm	1
9	44426-1	Rod Nut	1
10	44423	Rod	1
11	44422-1	Rod Nut	1
12	44107	Spring	1
13	16288-420	Cotter Pin, 1/8 x 1-1/4	4
14	44421	Pin	2
15	44427	Link	1
16	16055-5	Drive Screw, #10 x 3/8 Type U	2
17	44806	Spring	1
18	16043-6	Nut, 3/8 UNC Hex Jam	1
19	16056-612	Set Screw, 3/8 UNC x 3/4 Hex Soc.	1
20	16169-6	Plug, 3/8 NPT Sq. Hd.	1
21	16169-4	Plug, 1/4 NPT Sq. Hd.	1
22	16047-1232	Cap Screw, 3/4 UNC x 4 H.H.	1

NOTE: See page 6 & 7 for control stand group.

CARCO MODEL 60-PS WINCH
PARTS LIST SECTION—PAGE 31
CONTROL STAND



CONTROL STAND (POWER SHIFT)—NO. 49001-1 THRU -8

REF.	CARCO PART NO.	NAME AND DESCRIPTION	CONTROL STAND GROUP NO'S 49001-1 THRU 49001-8							
			QTY. -1	QTY. -2	QTY. -3	QTY. -4	QTY. -5	QTY. -6	QTY. -7	QTY. -8
1	49002-1	Housing	1				1		1	
2	49002-2	Housing		1					1	1
3	49002-3	Housing			1					
4	49002-4	Housing				1				
5	41403	Spring	1	1	1	1	1	1	1	1
* 6	49003	Lever Assy.	1	1	1	1	1	1	1	1
7	49007	Lock Plate	2	2	2	2	2	2	2	2
8	49804-3	Spacer	1	1	1	1	1	1	1	1
9	49010	Pin	1	1	1	1	1	1	1	1
10	16033-6	Nut, 3/8 UNC Hex	2	2	2	2	2	2	2	2
11	16039-66	Lock Nut, ESNA 21NE-066	1	1	1	1	1	1	1	1
12	49314	Shift Instruction Plate	1	1	1	1				
13	16047-620	Cap Screw, 3/8 UNC x 2-1/2 H.H.	2	2	2	2	2	2	2	2
14	16064-6	Washer, 3/8	2	2	2	2	2	2	2	2
15	16381-13	Hitch Pin, WESTERN WIRE WW-13	1	1	1	1	1	1	1	1
* 16	41404	Ball	1	1	1	1	1	1	1	1
* 17	16294-824	Spring Pin, 1/4 x 1-1/2	1	1	1	1	1	1	1	1
* 18	49004	Push Rod	1	1	1	1	1	1	1	1
19	49314-3	Shift Instruction Plate						1		
20	16009-6	Thrust Bearing, BUNTING TW 37	2	2	2	2	2	2	2	2

*Items 16, 17, 18 are included in item 6.

NOTE: See page 28 for PS brake control group used with these stands.

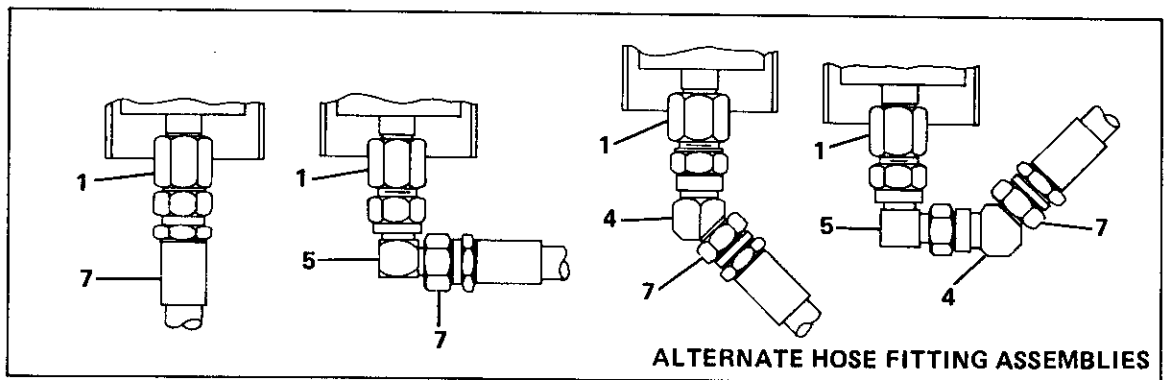
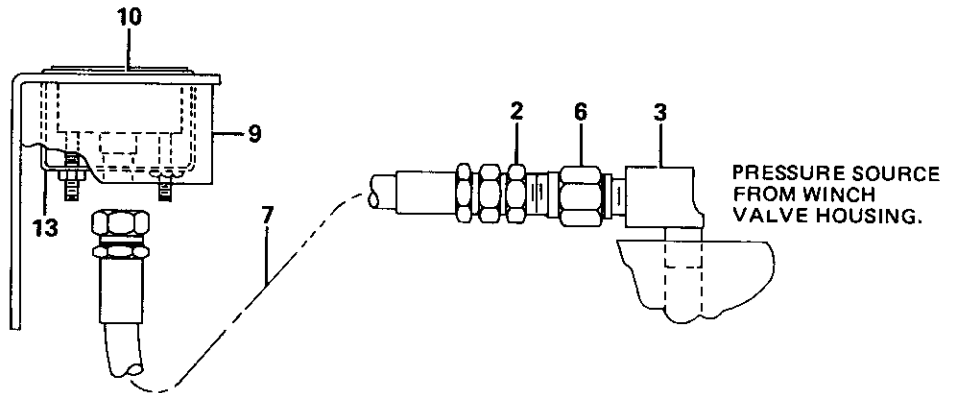
CARCO MODEL 60-PS, PSM & PSC
PARTS LIST SECTION—PAGE 33
F/S CONTROL STAND ASSY.

REF.	CARCO PART NO.	NAME AND DESCRIPTION	QUANTITY								
			-1	-2	-3	-4	-5	-6	-7	-8	-9
1	16033-6	Nut, 3/8 UNC Hex	2	2	2	2	2	2	2	2	2
2	16039-66	Lock Nut, ESNA 21NE-066	1	1	1	1	1	1	1	1	1
3	16047-632	Cap Screw, 3/8 UNC x 4 H.H.	2	2	2	2	2	2	2	2	2
4	16064-6	Washer, 3/8	2	2	2	2	2	2	2	2	2
5	16236-4	Knob, REID B-8	1	1	1	1	1	1	1	1	1
6	16381-13	Hitch Pin, WESTERN WIRE WW-13	2	2	2	2	2	2	2	2	2
7	41403	Spring	1	1	1	1	1	1	1	1	1
* 8	49003	Power Shift Lever Assy.	1	1	1	1	1	1	1	1	1
9	49007	Lock Plate	2	2	2	2	2	2	2	2	2
10	49804-3	Spacer	1	1	1	1	1	1	1	1	1
11	49010	Pin	2	2	2	2	2	2	2	2	2
12	49314	Power Shift Instruction Plate		1		1		1		1	
13	49314-2	Power Shift Instruction Plate	1		1		1				1
14	49802-2	Free Spool Lever Assy.		1		1		1		1	
15	49802-1	Free Spool Lever Assy.	1		1		1		1		1
16	49804-1	Spacer	1	1	1	1	1	1	1	1	1
17	49804-2	Spacer	3	3	3	3	3	3	3	3	3
18	49807-1	Free Spool Instruction Plate	1		1		1				1
19	49807-2	Free Spool Instruction Plate		1		1		1		1	
20	49806-1	Housing	1	1							
21	49806-2	Housing			1	1					
22	49806-3	Housing					1	1	1		
23	50911	Power Shift Instruction Plate							1		
24	50912	PTO Valve Instruction Plate							1		
* 25	49004	Push Rod	1	1	1	1	1	1	1	1	1
* 26	49005	Handle	1	1	1	1	1	1	1	1	1
* 27	41404	Ball	1	1	1	1	1	1	1	1	1
* 28	16294-824	Spring Pin, 1/4 x 1-1/2	1	1	1	1	1	1	1	1	1
29	49806-4	Housing								1	1
30	16009-6	Thrust Bearing, BUNTING TW 37	2	2	2	2	2	2	2	2	2

*Items 25, 26, 27, 28 are included in item 8.

NOTE: One of the above control stands used on all model 60 winches with free spool.

CARCO MODEL 60-PS, PSM & PSC WINCH
 PARTS LIST SECTION—PAGE 35
 PRESSURE GAUGE



PRESSURE GAUGE KIT—NO. 48700-120

REF.	CARCO PART NO.	NAME AND DESCRIPTION	QUAN. PER UNIT
1	16116-44	Adapter, WTHRD. C5255 x 4 x 4	1
***	2	Connector, WTHRD. C5205 x 4 x 4 (See Below)	1
***	3	Elbow, WTHRD. 3400 x 4 (See Below)	1
	4	Union, WTHRD. C5356 x 4	1
	5	Union, WTHRD. C5506 x 4	1
***	6	Snubber, CHEMIQUIP 25B-D (See Below)	1
*	7	Hose Assembly	1
**	8	Tag, Instruction— Not Shown	1
	9	Bracket	1
	10	Gauge	1
**	11	Sheet, Instruction— Not Shown	1
**	12	Gauge Kit Print — Not Shown	1
	13	Bracket	1

* 48700-1 kit can be ordered, which is without item 7.

** Items 8, 11 and 12 are included in gauge kit.

*** Items 2, 3 and 6 are also shown on control valve, page 10.