

CARCO®

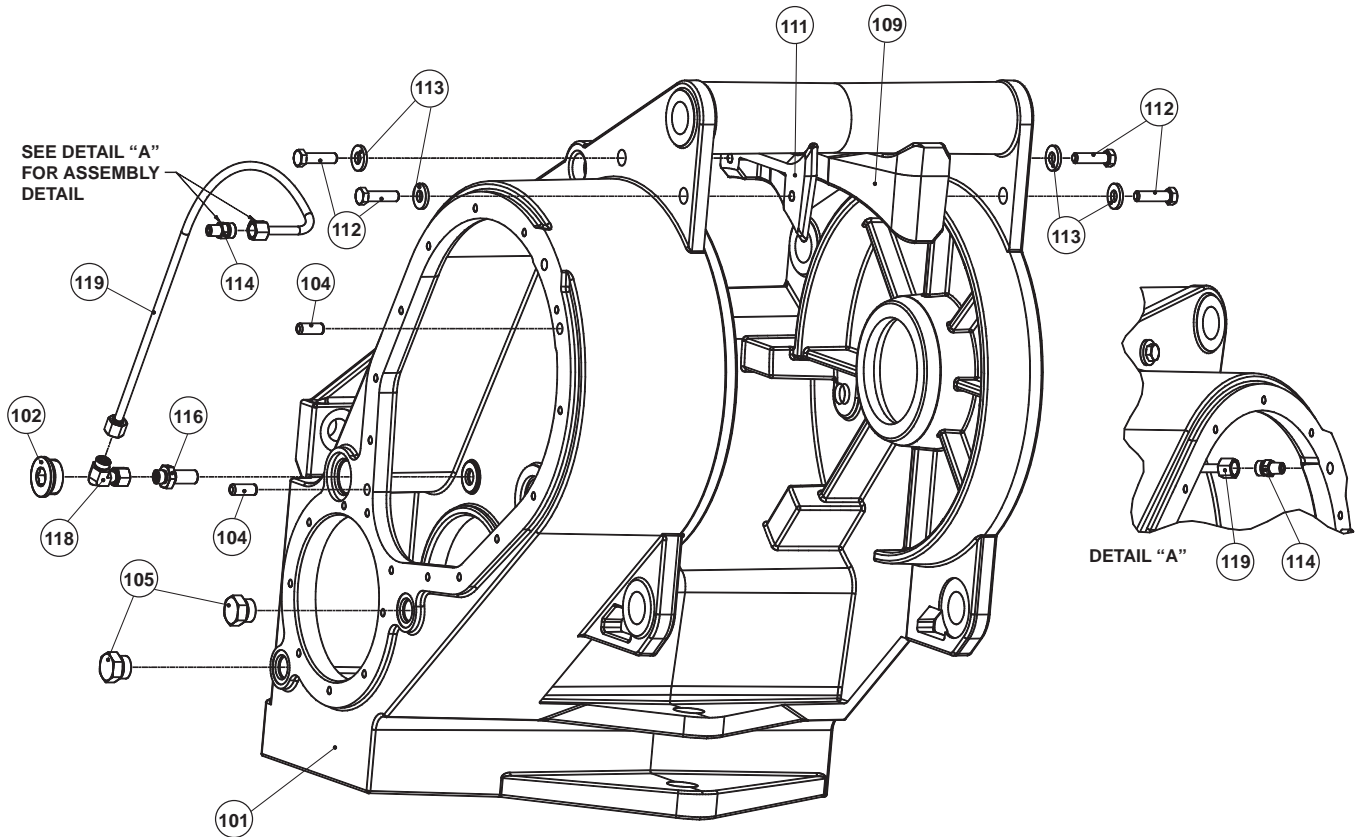
WINCH PARTS MANUAL MODEL H50VS

NOTE: This manual covers all common winch parts only. For all other parts, refer to the installation and parts manual for your specific tractor. Because this manual covers several winch configurations, not all parts shown will apply to your winch. Care should be taken to properly identify parts before replacements are ordered. Always include the winch model and serial numbers when requesting information or ordering parts.

TABLE OF CONTENTS

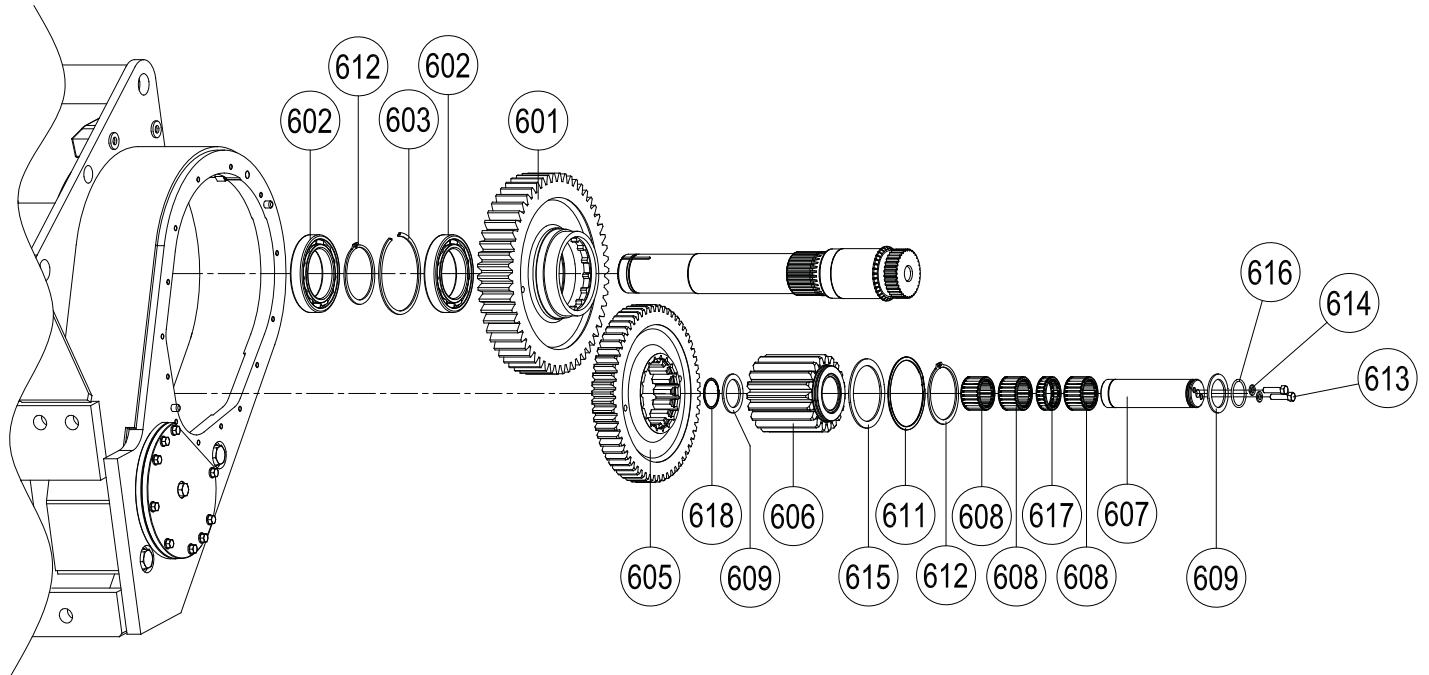
CASE GROUP.....	3
GEAR GROUP	4
CARTRIDGE ASSEMBLY.....	5
PINION & CARRIER GROUP	5
BRAKE CYLINDER CARTRIDGE.....	6
PLANET CARRIER ASSEMBLY.....	7
BRAKE CYLINDER ASSEMBLY	8
FREESPOOL GROUP.....	9
DRUM GROUP.....	10
OPTIONAL FAIRLEAD ASSEMBLY	12

H50VS CASE GROUP



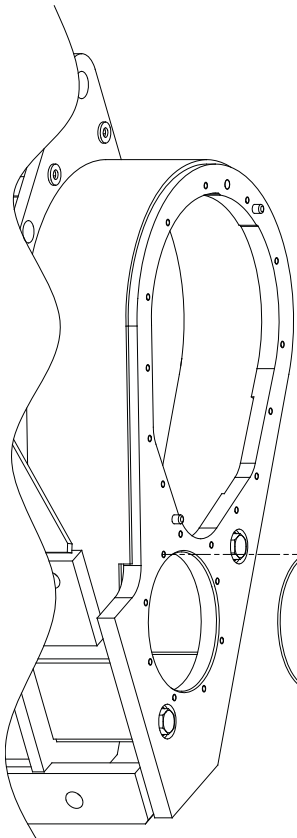
ITEM	DESCRIPTION	PART NO.	QTY
52	DRAWBAR PIN (NOT SHOWN)	102704	1
53	COTTER PIN (NOT SHOWN)	102901	2
101	MACHINED CASE	105080	1
102	PLUG	27217	1
104	DOWEL PIN	22828	2
105	PLUG	70118	2
109	KICKER BLOCK, RH	103228	1
111	KICKER BLOCK, LH	103229	1
112	CAPSCREW (1/2 - 13 X 1-3/4 GD8 Z)	104323	4
113	WASHER, HARD (1/2)	102987	4
114	ADAPTER, ORFS/PIPE	101742	1
116	UNION, BULKHEAD, -6 ORFS	103224	1
118	ELBOW, 90 ORS	100945	1
119	TUBE ASSEMBLY	103225	1

H50VS GEAR GROUP

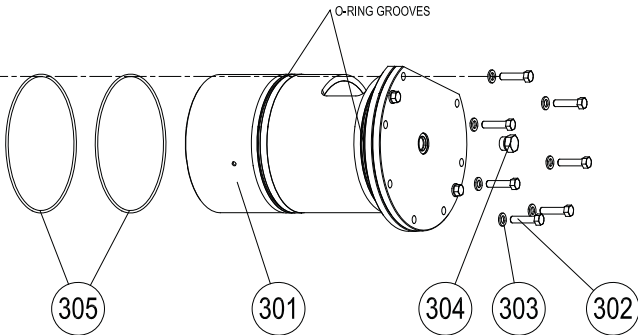


ITEM	DESCRIPTION	PART NO.	QTY
601	BULL GEAR	101332	1
602	BALL BEARING	30871	2
603	SNAP RING	72202	1
605	FIRST REDUCTION GEAR	101372	1
606	SECOND REDUCTION GEAR	101373	1
607	GEAR SHAFT	103295	1
608	BEARING	101395	3
609	THRUST RACE	25590	2
611	RETAINING RING	101528	1
612	RETAINING RING	70158	2
613	CAPSCREW (3/8 - 16 X 1" GD8 Z)	104313	2
614	HARD WASHER, 3/8 INCH	101440	2
615	WASHER	101357	1
616	O-RING	13542	1
617	NEEDLE ROLLER BEARING	101739	1
618	EXTERNAL RETAINING RING	101835	1

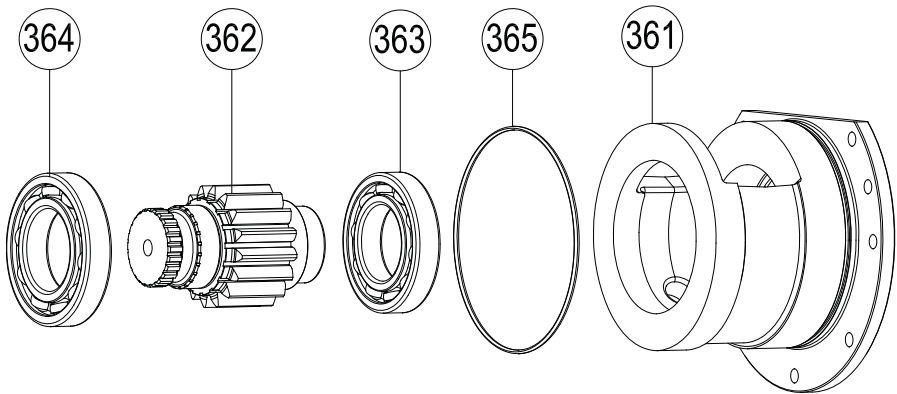
H50VS CARTRIDGE GROUP



ITEM	DESCRIPTION	PART NO.	QTY
301	CARTRIDGE ASSEMBLY (PAGE 6)	82915	1
302	CAPSCREW (3/8 - 16 X 1-5/8 GD8 Z)	103471	7
303	WASHER, HARD	101440	7
304	PLUG,O-RING FLUSH	32411	1
305	O-RING	22358	2

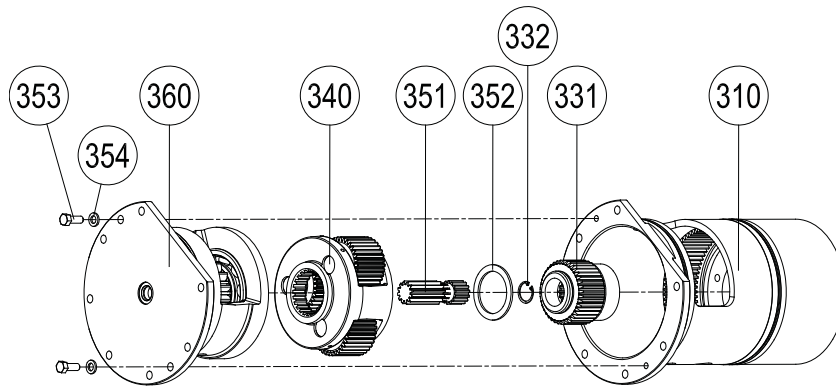


H50VS PINION AND CARRIER GROUP



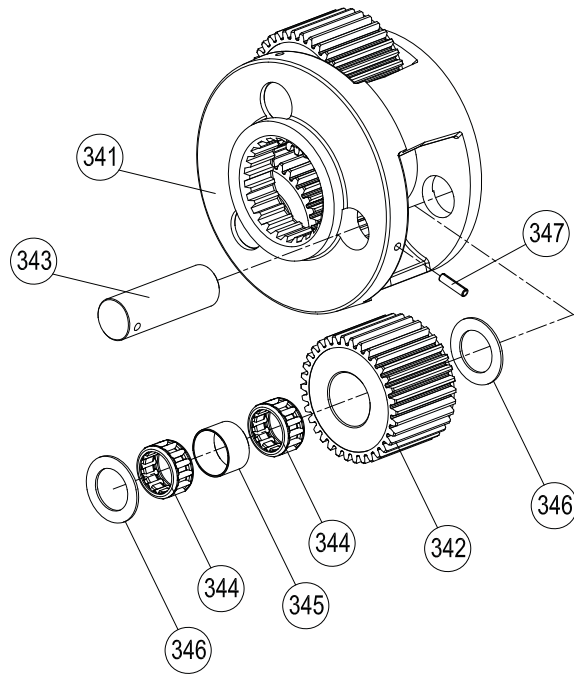
ITEM	DESCRIPTION	PART NO.	QTY
361	BEARING CARRIER	103162	1
362	PINION	103163	1
363	BALL BEARING	24690	1
364	BALL BEARING	102669	1
365	O-RING	24484	1

H50VS CARTRIDGE ASSEMBLY



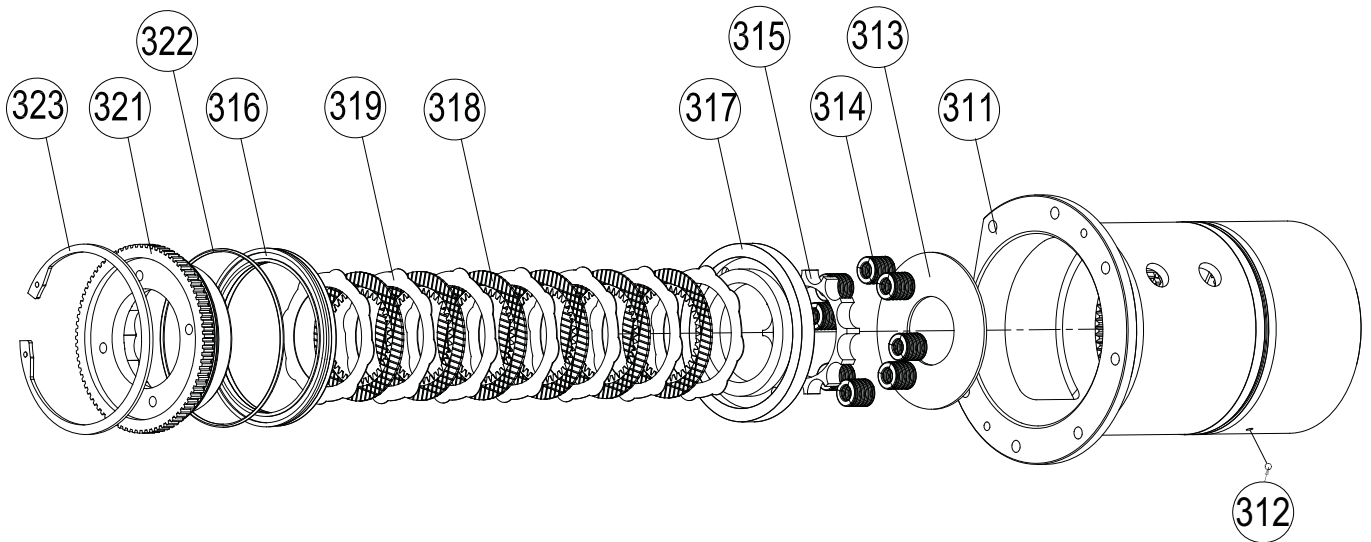
ITEM	DESCRIPTION	PART NO.	QTY
310	BRAKE CYLINDER ASSEMBLY (PAGE 8)	82917	1
331	COUPLING, MOTOR	103367	1
332	RETAINING RING	24506	1
340	PLANET CARRIER ASSEMBLY (PAGE 7)	82916	1
351	SUN GEAR	103368	1
352	THRUST RING	76142	1
353	CAPSCREW (3/8 - 16 X 1 GD8 Z)	104309	2
354	WASHER, HARD	101440	2
360	PINION & CARRIER GROUP (PAGE 5)	63230	1

H50VS PLANET CARRIER ASSEMBLY



ITEM	DESCRIPTION	PART NO.	QTY
340	PLANET CARRIER ASSEMBLY	82916	-
341	PLANET CARRIER	103161	1
342	PLANET GEAR	26272	3
343	PLANET GEAR SHAFT	25666	3
344	ROLLER BEARING	24175	6
345	BEARING SPACER	24890	3
346	BEARING RACE	25361	6
347	ROLLPIN	21049	3

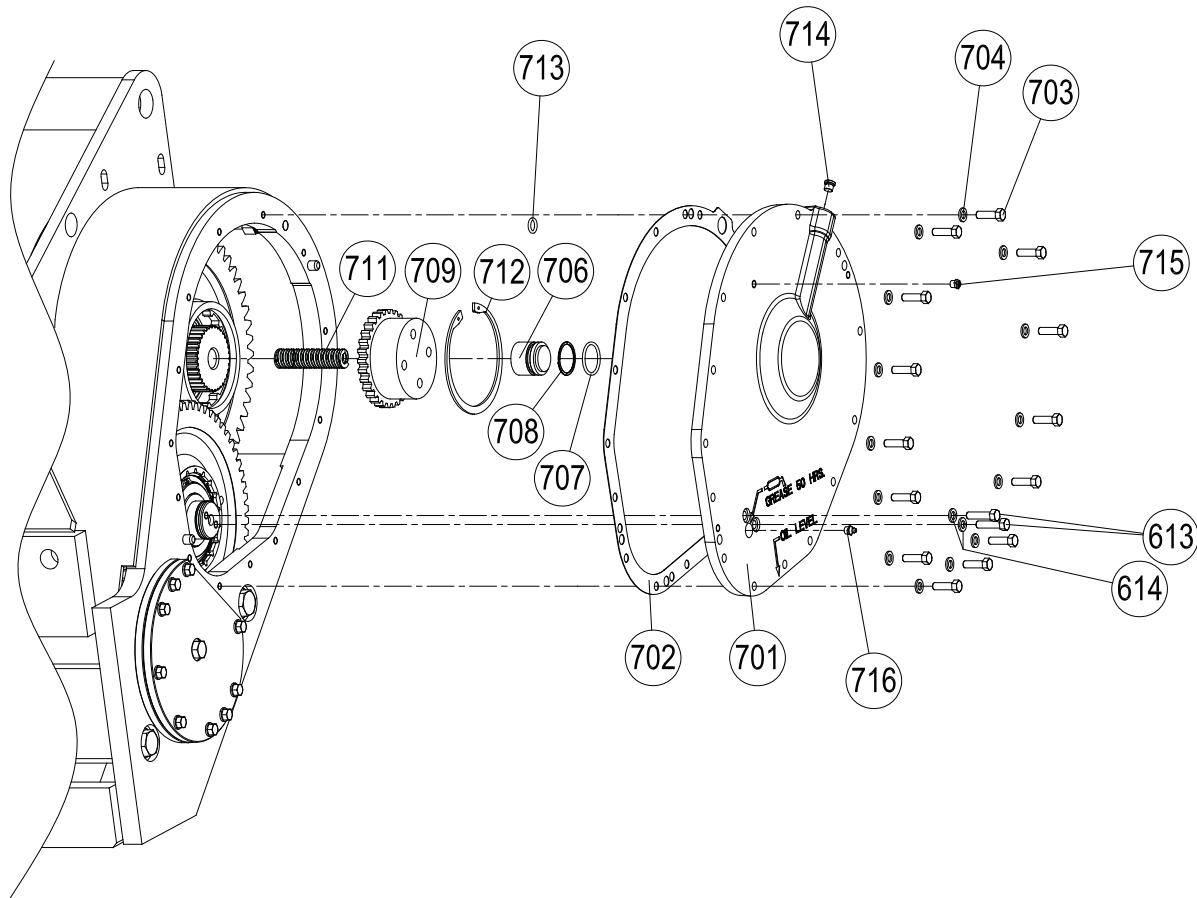
H50VS BRAKE CYLINDER ASSEMBLY



ITEM	DESCRIPTION	PART NO.	QTY
310	BRAKE CYLINDER ASSEMBLY	82917	-
311	BRAKE CYLINDER	103164	1
312	STEEL BALL	70126	1
313	SPRING BACKUP PLATE	102450	1
314	SPRING	75020	8
315	SPRING SPACER	100200	1
316	SEAL	28829	1
317	BRAKE PISTON	103392	1
318	FRICTION DISC	21036	6
319	BRAKE DISC	100027	7
321	BRAKE RETAINER	103369	1
322	O-RING	10450	1
323	RETAINING RING	100930	1

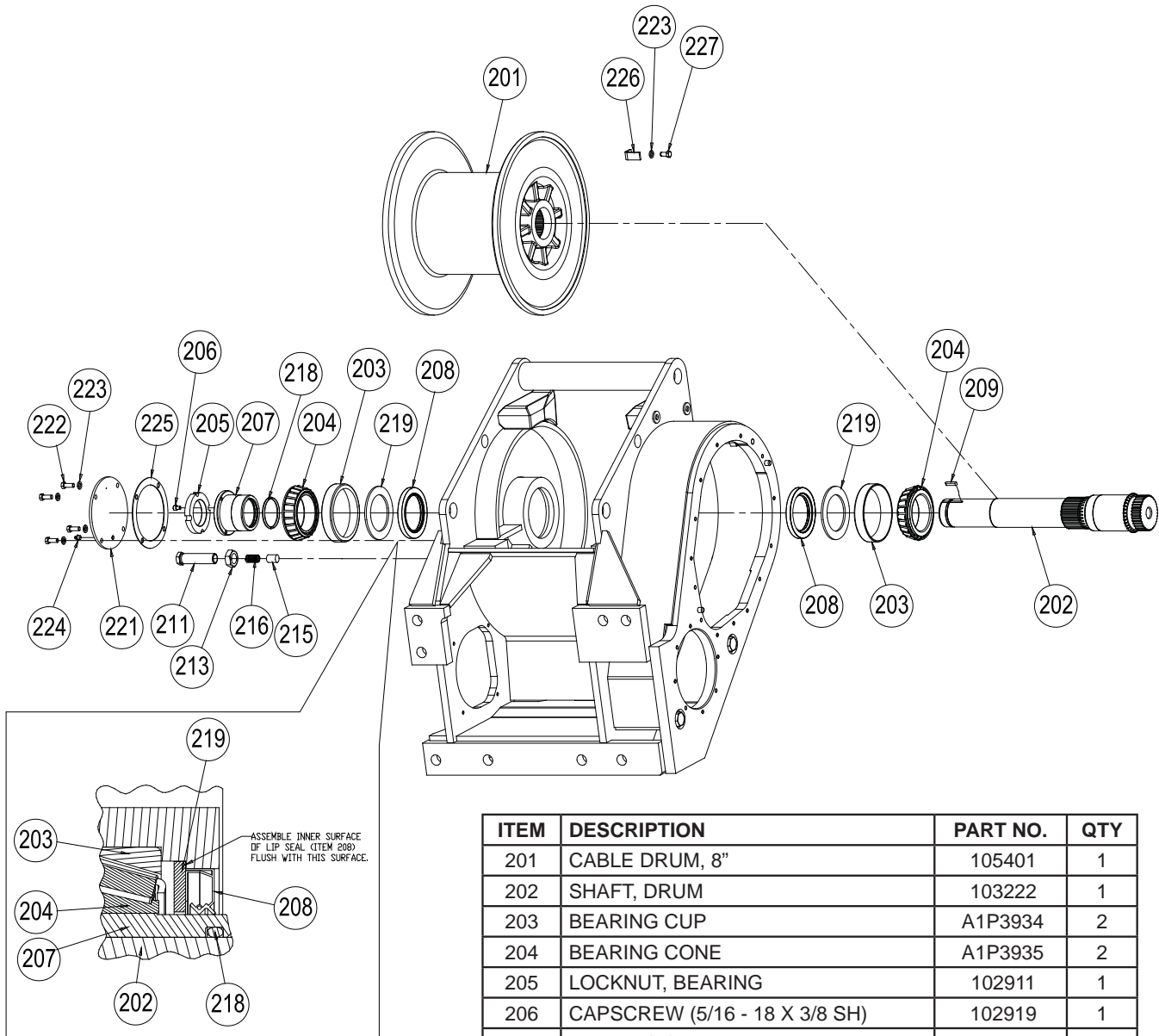
NOTE: If replacing brake cylinder (item 311), quantity one (1) of steel ball (item 312) must be ordered.

H50VS FREESPOOL GROUP



ITEM	DESCRIPTION	PART NO.	QTY
613	CAPSCREW (3/8 - 16 X 1" GD8 Z)	104313	2
614	HARD WASHER, 3/8 INCH	101440	2
701	GEAR COVER	102970	1
702	GEAR COVER GASKET	103153	1
703	CAPSCREW (3/8 - 16 X 1-1/4 GD8 Z)	104132	14
704	HARD WASHER	101440	14
706	FREESPOOL PISTON ASSEMBLY	82692	1
707	O-RING	13838	1
708	BACK-UP RING	72120	1
709	FREESPOOL CLUTCH	101392	1
711	FREESPOOL SPRING	27387	1
712	RETAINING RING	101546	1
713	O-RING	103152	1
714	PLUG	69325	1
715	RELIEF VALVE 1-5 PSI	10074	1
716	GREASE FITTING	18047	1

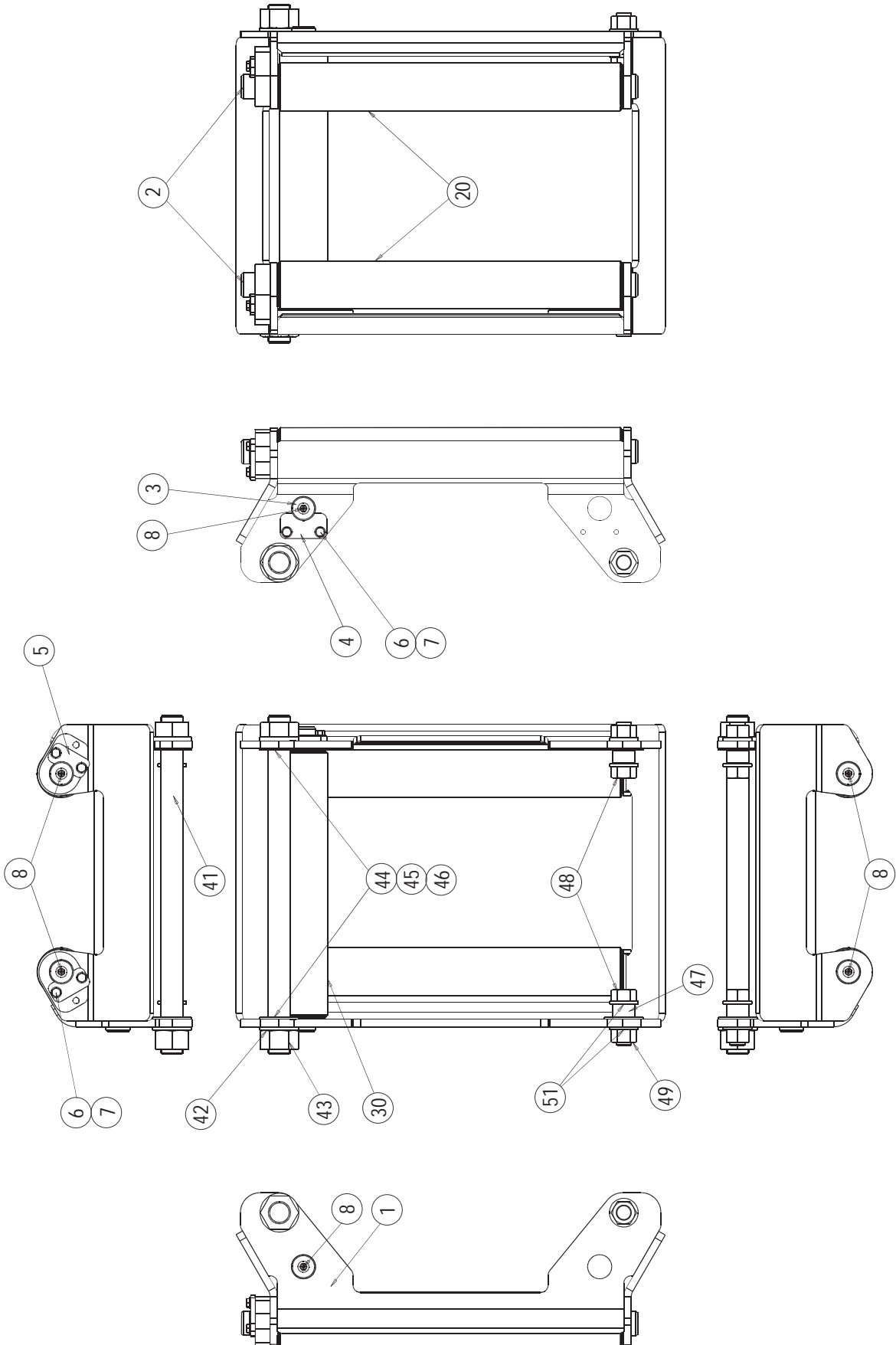
H50VS DRUM GROUP



ITEM	DESCRIPTION	PART NO.	QTY
201	CABLE DRUM, 8"	105401	1
202	SHAFT, DRUM	103222	1
203	BEARING CUP	A1P3934	2
204	BEARING CONE	A1P3935	2
205	LOCKNUT, BEARING	102911	1
206	CAPSCREW (5/16 - 18 X 3/8 SH)	102919	1
207	BEARING SLEEVE	103221	1
208	LIP SEAL	102276	2
209	KEY	103227	1
211	SPRING HOUSING	102446	1
213	NUT	24849	1
215	DRAG BRAKE DISC	27321	1
216	SPRING	29892	1
218	O-RING	103223	1
219	WASHER	103341	2
221	BEARING COVER	103354	1
222	CAPSCREW	104309	4
223	WASHER, HARD	101440	5
224	GREASE FITTING	18047	1
225	GASKET	103350	1
226	CABLE ANCHOR STRAP	102287	1
227	CAPSCREW (3/8 - 16 X 3/4 GD8 Z)	104135	1

THIS PAGE INTENTIONALLY LEFT BLANK

**H50VS
OPTIONAL FAIRLEAD ASSEMBLY**



H50VS
OPTIONAL FAIRLEAD ASSEMBLY

ITEM	DESCRIPTION	PART NO.	QTY
1	FAIRLEAD FRAME	103488	1
2	VERTICAL SHAFT FAIRLEAD	103485	2
3	HORIZONTAL SHAFT FAIRLEAD	103508	1
4	SIDE KEEPER	103490	1
5	TOP KEEPER	103568	2
6	CAPSCREW (3/8 - 16 X 7/8 G8 Z)	103749	6
7	WASHER (HARD 3/8)	101440	6
8	GREASE FITTING	18047	6
20	VERTICAL ROLLER ASSEMBLY	83007	2
22	BEARING (PART OF ITEM 20/30)	103487	2/ROLLER
23	ROD WIPER (PART OF ITEM 20/30)	103566	2/ROLLER
30	HORIZONTAL ROLLER ASSEMBLY	83006	1
41	DRAW BOLT	102735	1
42	WASHER C150 HARD Z	102886	2
43	NUT S150PZ GD8	103439	2
44	THRUST RACE	11894	6
45	THRUST RACE	24307	6
46	THRUST RACE	24427	6
47	FAIRLEAD MOUNTING BUSHING	102878	2
48	CAPSCREW (1 - 8 X 3 G8 Z)	102597	2
49	HEX HD NUT	PA6V8190	2
51	WASHER (HARD 1 INCH)	101205	4
--	4th ROLLER KIT (INCLUDES ITEMS 3,4,6,7,8,30)	63145	OPT.