

PARTS LIST SECTION  
FOR CARCO SERVICE AND PARTS MANUAL

# Carco Model J-Winch Series 10

**ATTENTION:** Be sure to give correct part number, part name and complete serial number of winch when ordering. Also name and model of the tractor on which the winch is mounted.

**PACIFIC CAR AND FOUNDRY COMPANY**  
**R E N T O N ,   W A S H I N G T O N ,   U . S . A .**

## CARCO MODEL J WINCH SERIES 10

### GEAR CHANGE

Keeping up with Carco's leading the field in winch improvements, the Model J-10 winch now has a new gear arrangement.

The clutch gearing has been changed to produce a more positive shift. When, with the new clutch gearing arrangement, the winch is shifted into a gear position and the driving torque is applied, the gears in the unit are locked in to their selected position until the driving torque ceases and thus producing the positive shift.

Clutch gear, part number Y-1578 has been replaced by part number 31502. The clutch gear coupling has been modified, but still retains the same part number, Y-1579.

These parts are interchangeable, but

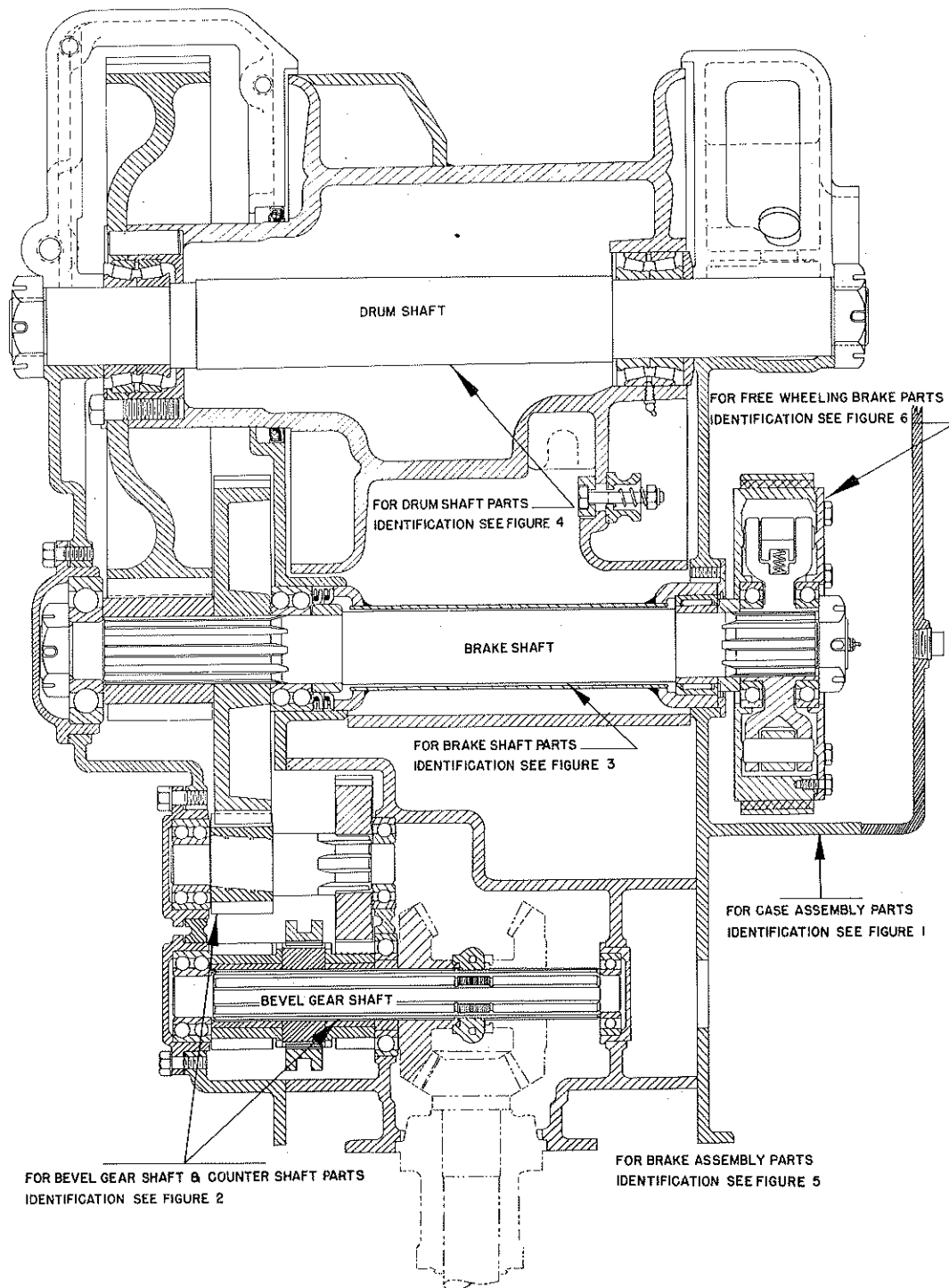
to produce the new shift action, it is necessary to obtain the new clutch gear, part number 31502 and the modified clutch gear coupling. The clutch gearing change has been incorporated on all Carco J-10 winches with serial number 1044 on higher.

The Bull Gear and pinion have been changed in the winch to produce a more desirable gear tooth action; and hereby lengthening the life of the gears. The Bull Gear and pinion must be replaced as a set.

The Bull Pinion, Part Number 31420, and Bull Gear, Part Number 31421, have been incorporated on winches with serial number 1044 and higher, with the exception of winch number 1110. Winch serial number 1110 has the previously standard Bull Gear, Part Number 10452 and Bull Pinion, Part Number Y-1411.

**PACIFIC CAR AND FOUNDRY COMPANY**  
**R E N T O N ,      W A S H I N G T O N ,      U . S . A .**

# PARTS IDENTIFICATION INDEX DRAWING FOR CARCO MODEL J-10 WINCH



CARCO MODEL J-10 WINCH

PARTS LIST SECTION—PAGE 4

WINCH CASE ASSEMBLY

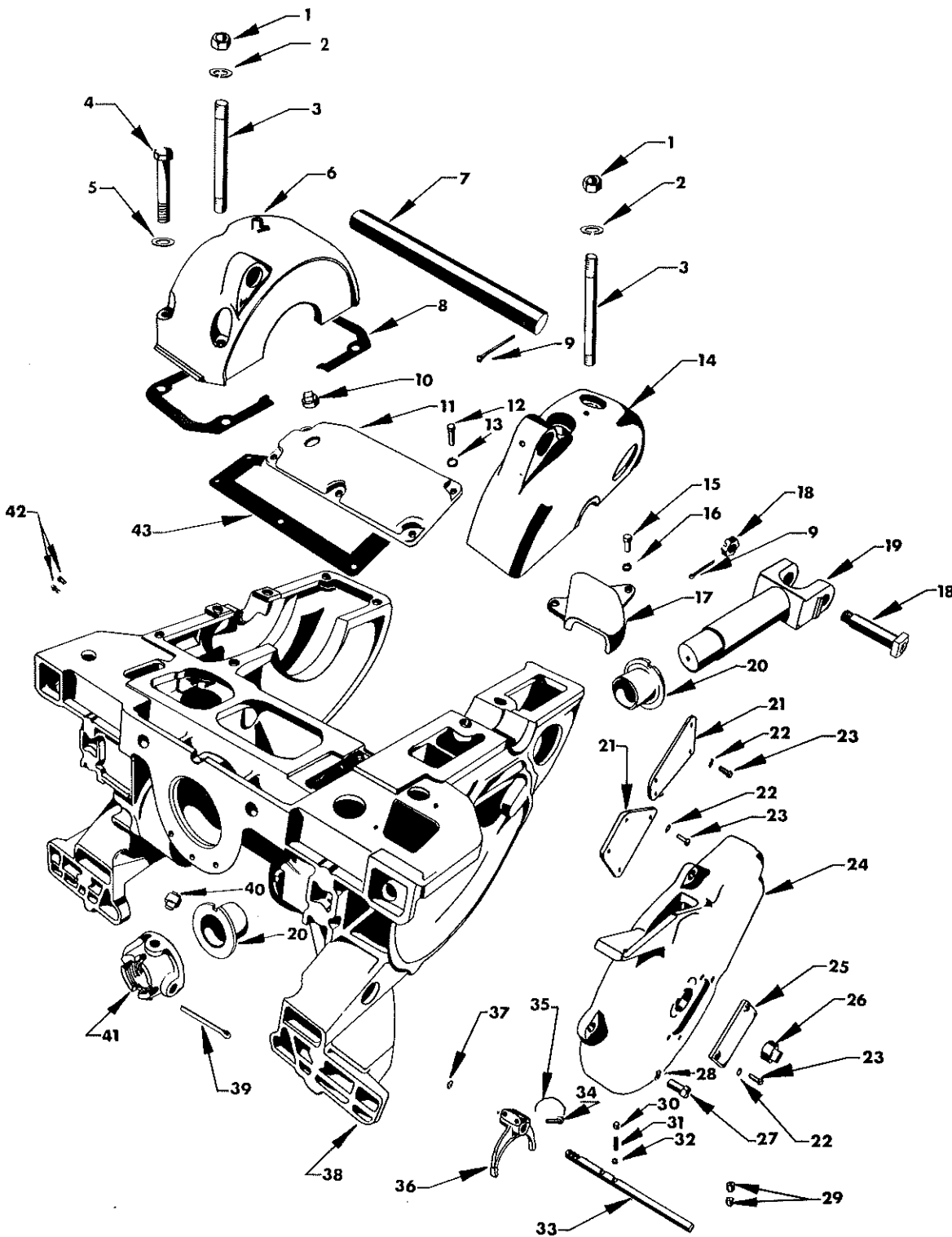


Figure 1

CARCO MODEL J-10 WINCH  
PARTS LIST SECTION—PAGE 5  
WINCH CASE ASSEMBLY

REF.	PART NO.	NAME	Quan. per Unit
1	1-1/4 NF	Hex Nut	4
2	1-1/4	Lockwasher	4
3	25993-12	Stud	4
4	7/8 x 6 NF	Hex Head Capscrew	4
5	7/8	Flat Copper Washer	4
6	27562	Gear Cover	1
7	27830	Cable Guard	1
8	27829	Gear Cover Gasket	1
9	3/8 x 3-1/2	Cotter Key	2
10	Y-2199	Breather Plug	1
11	27475	Top Cover Plate	1
12	5/8 x 1-1/2 NF	Hex Head Capscrew	5
13	5/8	Lockwasher	5
14	27563	Case Flange	1
15	1/2 x 1-3/4 NC	Hex Head Bolt	2
16	1/2	Lockwasher	2
17	27558-1 28800	Control Cable Guard Coupler Assembly (Includes Items 18, 19, 20, 39 & 41)	1 1
18	Y-905-2	Coupler Bolt And Nut	1
19	X-1165	Coupler	1
20	G-10669	Coupler Bushing	2
21	27497	Cover	2
22	3/8	Lockwasher	12
23	3/8 x 1 NC	Hex Head Capscrew	12
24	27725	Brake Cover	1
25	27729	Brake Link Cover	1
26	1-1/4 NPT	Standard Pipe Plug	1
27	3/4 x 1-1/2 NF	Hex Head Capscrew	5
28	3/4	Lockwasher	5
29	3/8 x 5/8 NC	Socket Head Set Screw	2
30	5/8 x 5/8 NC	Socket Head Set Screw	1
31	28698-1	Spring	1
32	1/2	Steel Ball	1
33	27479	Shifter Shaft	1
34	5/8 x 2 NF	Hex Head Capscrew	2
35	16 Ga. x 8	Lock Wire	1
36	G-10509	Shifter Fork	1
37	Y-3873-13	Expanding Plug	1
38	27781	Hoist Case For Cat D-8	1
	27782	Hoist Case For Int. T. D. 24	1
	27783	Hoist Case For A. C. H. D-19	1
	27784	Hoist Case For Cle-F	1
39	1/2 x 5	Cotter Key	1
40	1-1/4 NPT	Magnetic Pipe Plug	1
41	G-10518	Coupler Nut	1
42	1/2 Std.	Pipe Plug	2
43	27617	Gasket	1

CARCO MODEL J-10 WINCH  
PARTS LIST SECTION—PAGE 6  
BEVEL GEAR AND COUNTERSHAFT ASSEMBLY

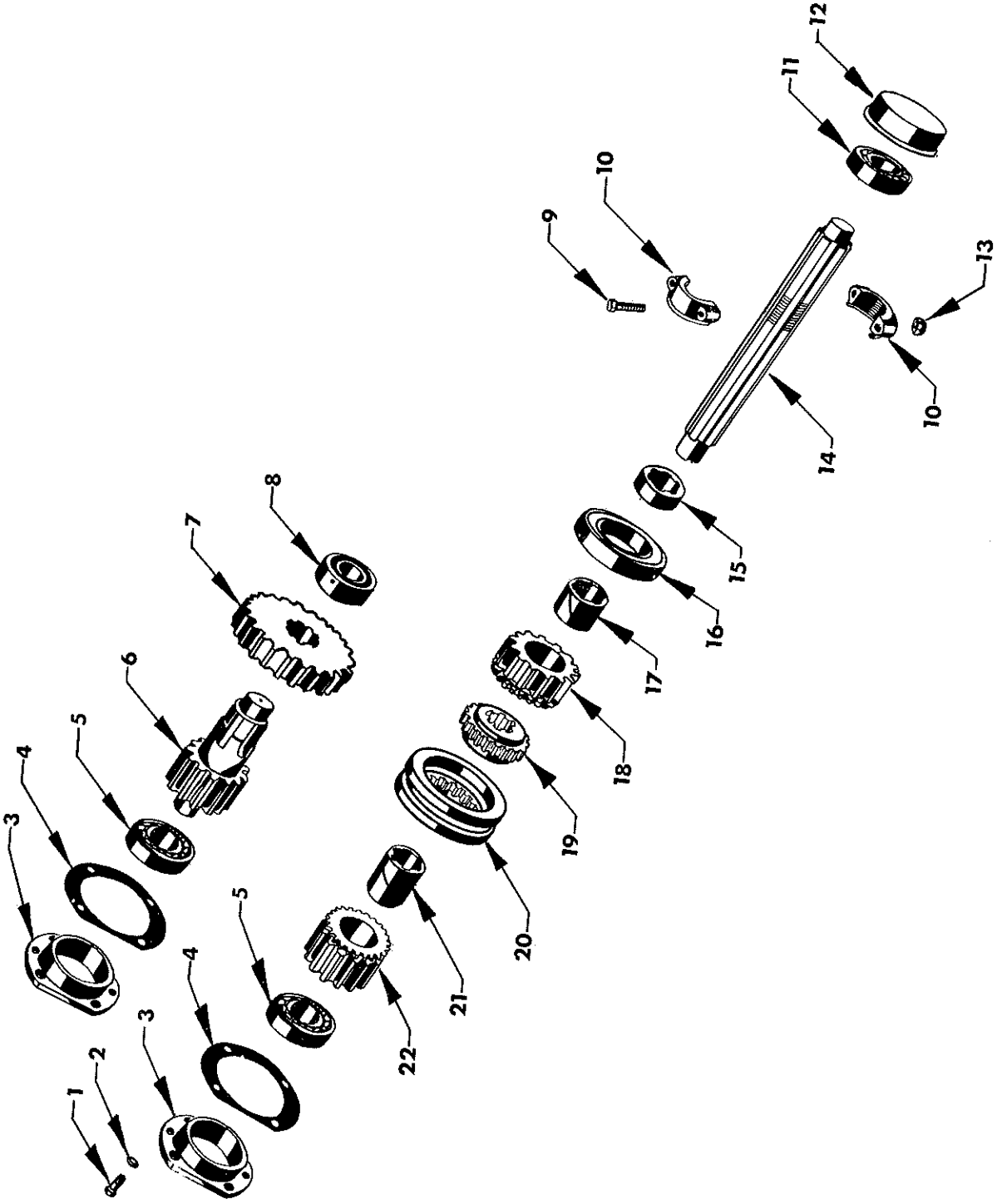


Figure 2

BEVEL GEAR AND COUNTER SHAFT ASSEMBLY

REF.	PART NO.	NAME	Quan. per Unit	REF.	PART NO.	NAME	Quan. per Unit
1	5/8"NFx1 1/2"	Hex Head Capscrew	8	14	Y-1406	Bevel Gear Shaft	1
2	5/8"	Lockwasher	8	15	Y-1407	Bearing Bushing	1
3	G-10502	Bearing Housing	2	16	2I7-WD	Fafnir Ball Bearing	1
4	Y-1465	Shim Set Assembly	2	17	Y-1408	Drive Pinion	1
5	5310	Fafnir Ball Bearing	2	18	Y-1576	Low Gear Drive Pinion	1
6	Y-1403	Countershaft	1	19	Y-1578	Clutch Gear *	1
7	Y-1400	Countershaft Gear	1		31502		
8	310-WD	Fafnir Ball Bearing	1	20	Y-1579	Gear Coupling	1
9	1/2"NFx3"	Hex Head Capscrew	2	21	Y-1409	Drive Pinion Bushing	1
10	G-10510	Adjusting Nut	1	22	Y-1577	High Gear Drive Pinion	1
11	309-WD	Fafnir Ball Bearing	1				
12	G-10508	Bearing Carrier	1				
13	1/2"NF	Elastic Stop Nut	2				

\* These parts are interchangeable.  
Part No. 31502 replaced Part No. Y-1578 in winches with Serial No. 1044, and higher.

CARCO MODEL J-10 WINCH  
PARTS LIST SECTION—PAGE 8  
BRAKE SHAFT ASSEMBLY

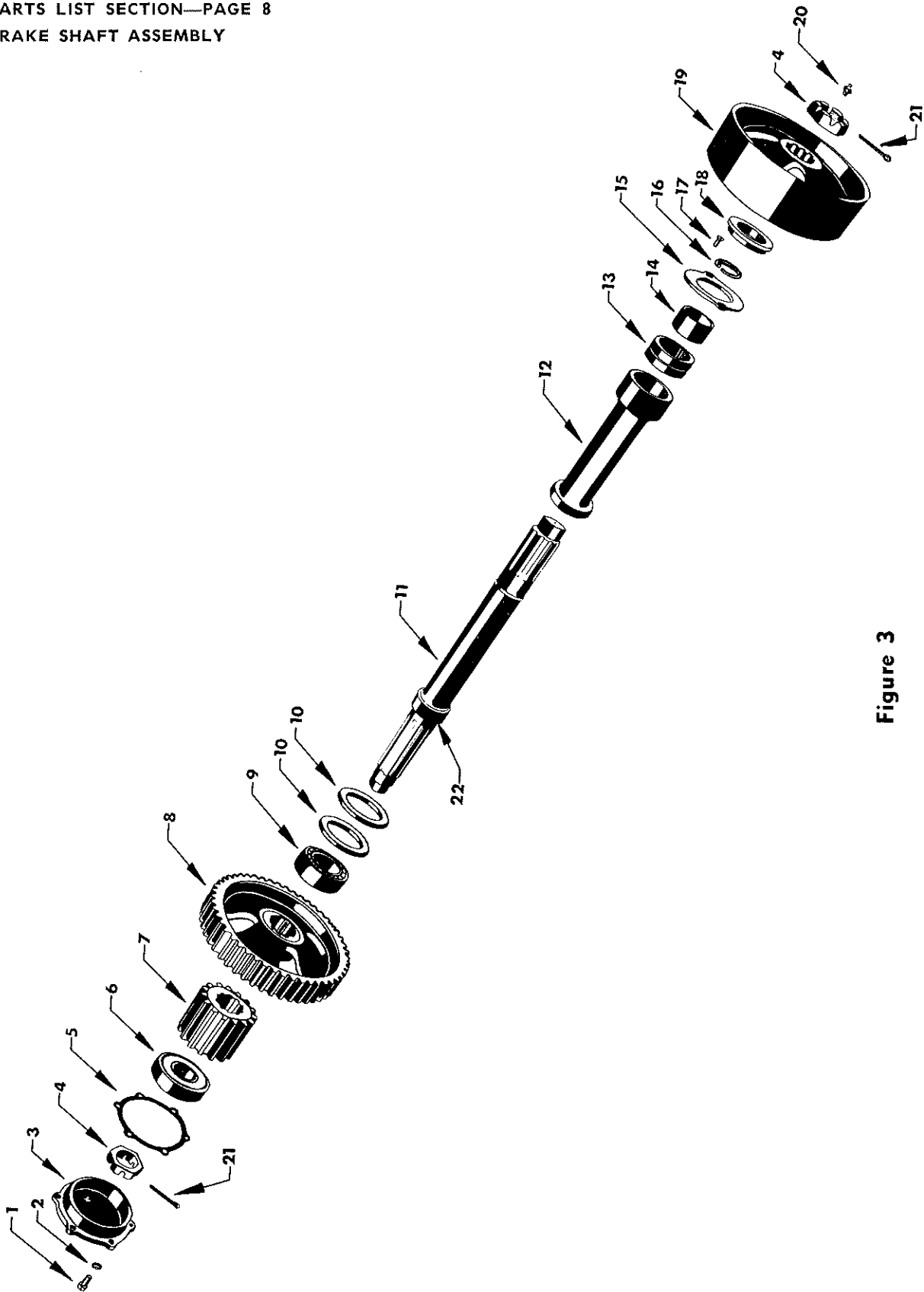


Figure 3

BRAKE SHAFT ASSEMBLY

REF.	PART NO.	NAME	Quan. per Unit	REF.	PART NO.	NAME	Quan. per Unit
1	5/8 "NFx1 1/4"	Hex Head Capscrew	6	14	M-152	McGill Needle Bearing (inner)	1
2	5/8"	Lockwasher	6	15	Y-1419	Bearing Seal Ring	1
3	G-10503	Bearing Housing	1	16	Y-1419-1	Cork Dirt Seal	1
4	K-10340	Timken Nut	2	17	1/2 "NFx1 1/4"	Flat Head Capscrew	2
5	# 32	Timken Shim Set	1	18	Y-2505	Brake Drum Spacer	1
6	414-WD	Fafnir Ball Bearing	1	19	G-11255	Solid Brake Drum **	1
7	Y-1411 31420 *	Bull Pinion	1	20	1610	Alemite Grease Fitting	1
8	G-10633	Brake Shaft Gear	1	21	5/8"x4"	Cotter Key	2
9	5217	Fafnir Ball Bearing	1	22	Y-2018	Oil Seal Ring	1
10	55333	National Oil Seal	2	* Winches with Serial No. 1044 and on have the 31420 Bull Pinion, except the winch with Serial No. 1110. ** For Free-Wheeling Brake Drum see exploded view of Free-Wheeling Brake Drum Assembly.			
11	X-1470	Brake Shaft	1				
12	X-1469	Seal Tube	1				
13	M-060	McGill Needle Bearing (outer)	1				

CARCO MODEL J-10 WINCH

PARTS LIST SECTION—PAGE 10

DRUM SHAFT ASSEMBLY

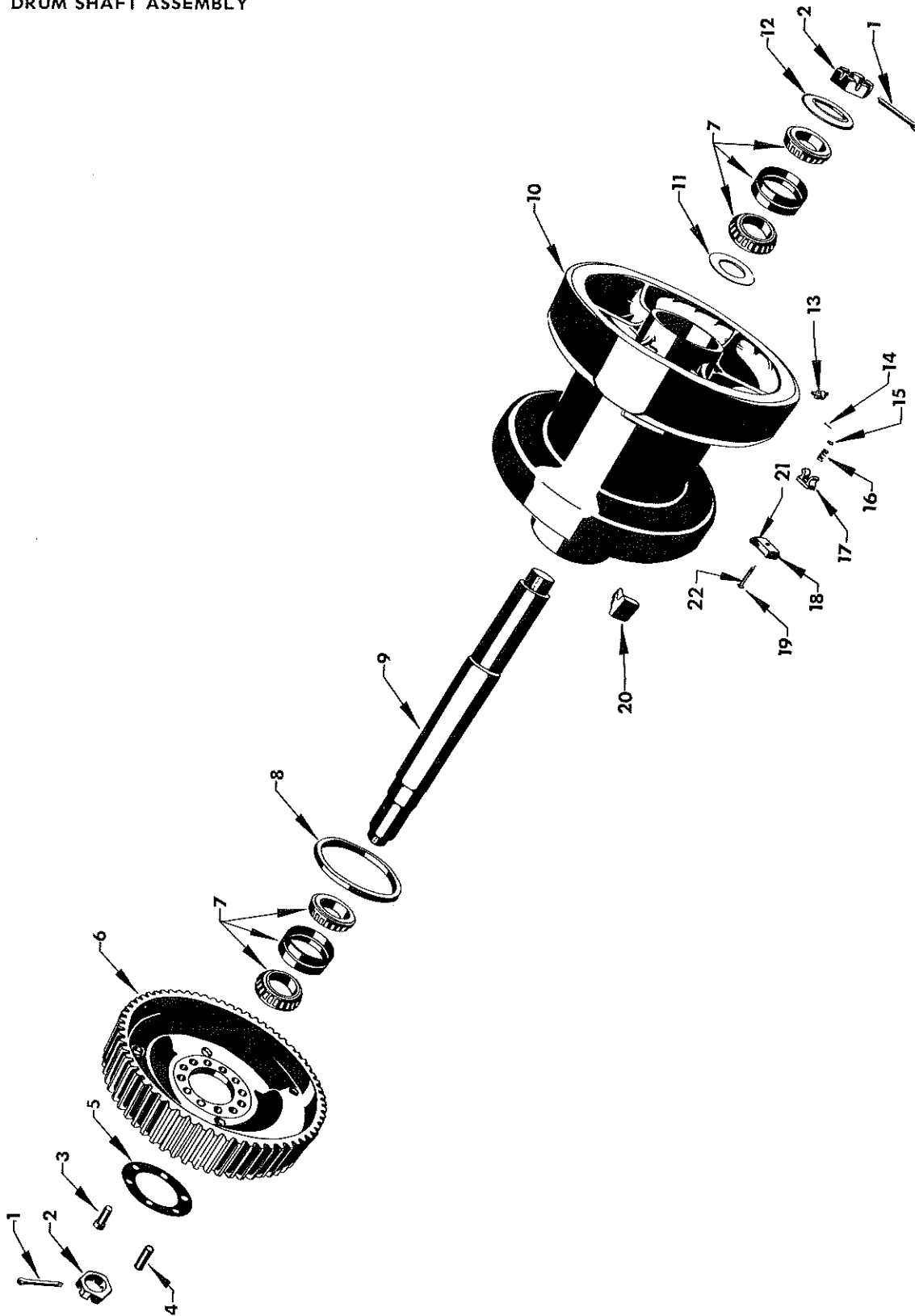


Figure 4

CARCO MODEL J-10 WINCH  
 PARTS LIST SECTION—PAGE 11  
 DRUM SHAFT ASSEMBLY

REF.	PART NO.	NAME	Quan. per Unit	REF.	PART NO.	NAME	Quan. per Unit
1	1/2" x 5"	Cotter Key	2	14	1/2" x 1 1/4"	Cotter Key	1
2	K-10341	Timken Nut	2	15	1/2"	Washer	1
3	1" NF x 2 1/2"	Hex Head Capscrew	6	16	Y-1175-5	Ferrule Lock Spring	1
4	Y-1414	Bull Gear Drive Pin <i>FIELD STER. 11/84</i>	6	17	31975	Ferrule Lock	1
5	Y-1415	Lock Ring <i>45081-5 #1-45082 DRG.</i>	1	18	G-10517	Lock Button	1
6	G-10452	Bull Gear	1	19	Y-2810-1	Lock Button Pin	1
7	31421*	Timken Roller Bearing Cone	4	20	G-10577	Cable Groove Filler	1
8	NA-52375	Timken Roller Bearing Cup	2		32030	Ferrule Lock Assy—High Capacity Drum Only (Incl Items 21 and 22)	
9	52637D	National Oil Seal	1	21	32026	Ferrule Lock	1
10	55078	Drum Shaft	1	22	5/8" NF x 3/4"	Socket Head Capscrew	1
11	X-1159	Cable Drum—Standard	1			* Winches with Serial No. 1044 and up have the 31421 Bull Gear, except Winch with Serial No. 1110.	
12	31269	Cable Drum—Large Capacity	1				
13	26741	Dirt Seal Ring	1				
14	Y-1422	Spacer Washer	1				
15	Y-1420	Alemite Grease Fitting	1				
16	1620		1				

*45081-5*

*15239*  
*15240*

CARCO MODEL J-10 WINCH

PARTS LIST SECTION—PAGE 12

BRAKE ASSEMBLY

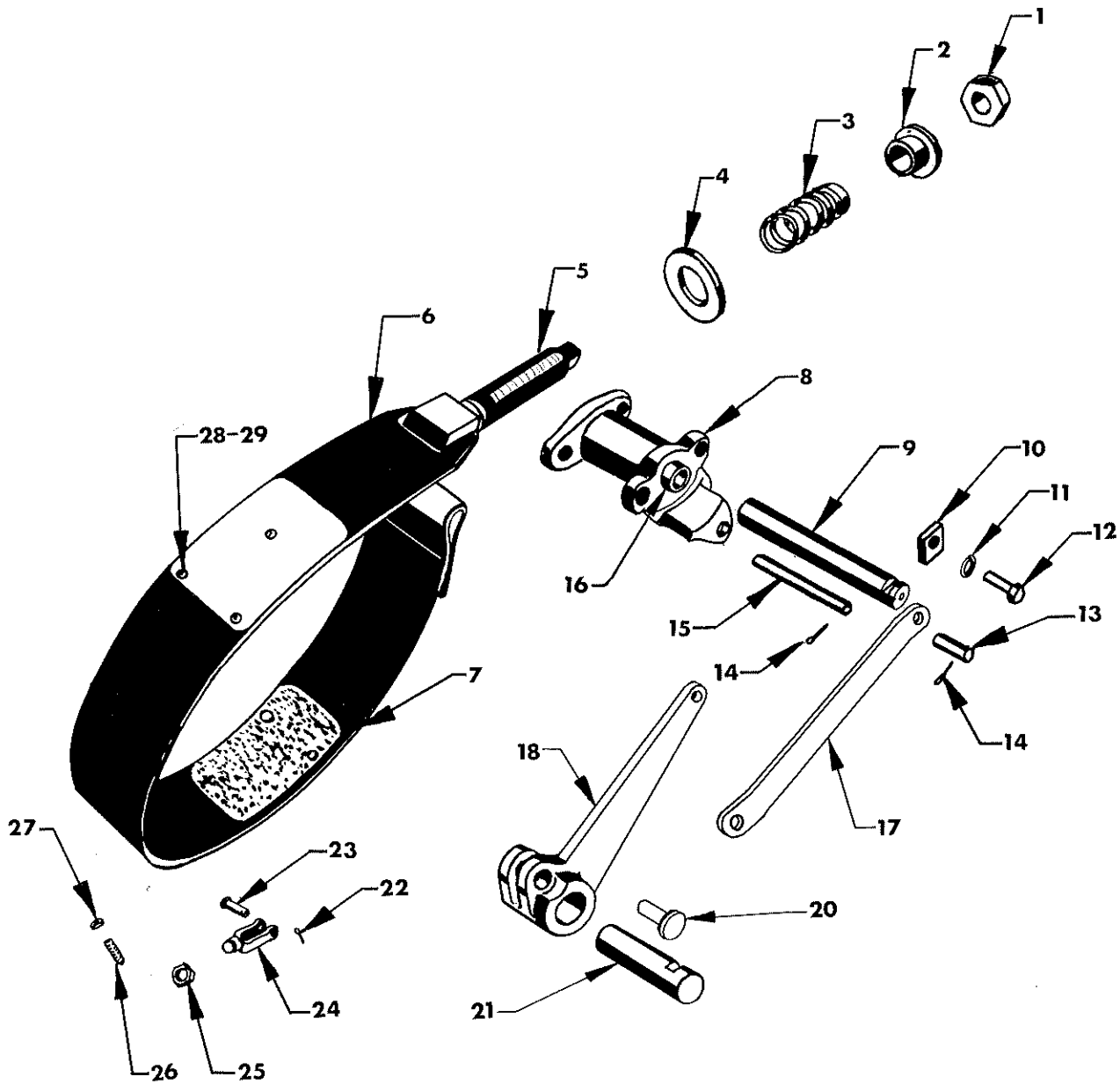


Figure 5

CARCO MODEL J-10 WINCH  
PARTS LIST SECTION—PAGE 13  
BRAKE ASSEMBLY

REF.	PART NO.	NAME	Quan. per Unit
1	59U-202	Elastic Stop Adjusting Nut 1-1/4 NF	1
2	27723	Brake Adjustment Bushing	1
3	X-1175-22	Brake Band Spring	1
4	1-1/4	Washer, Cut	1
5	27718	Brake Adjustment Stud	1
6	27510	Brake Band Assembly (Includes Items 7, 28, & 29)	1
7	27498	Brake Lining	1
8	27793	Brake Cam Assembly	1
9	27722	Brake Cam Shaft	1
10	27721	Shaft Lock Plate	1
11	1/2	Lockwasher	1
12	1/2 x 1-1/4 NF	Hex Head Capscrew	1
13	27720	Brake Cam Pin	1
14	1/8 x 2	Cotter Key	2
15	27719	Brake Band Pin	1
16	1510-2	Bushing	2
17	29973	Connection Link	1
18	29972	Brake Link Lever	1
20	29974	Brake Link Pin	1
21	27960	Pin	1
22	3/32 x 5/8	Cotter Key	1
23	2708-1/2-4A	Yoke Pin	1
24	2708-4 A	Control Cable Yoke	1
25	3/8 NF	Hex Jam Nut	1
26	3/8 x 1-1/4 NC	Square Head Point Oval Set Screw	1
27	3/8 NC	Hex Jam Nut	1
28	1/4 x 5/8	Brake Lining Rivet	20
29	1/4 x 7/8	Brake Lining Rivet	3

FREE WHEELING BRAKE DRUM ASSEMBLY

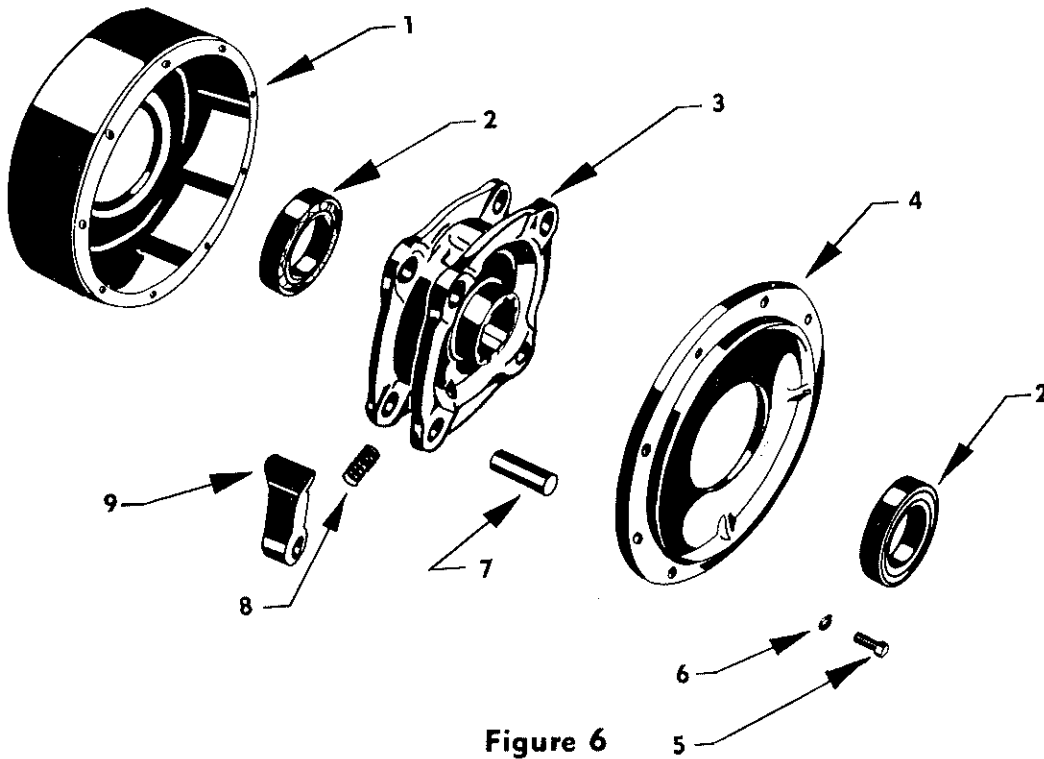
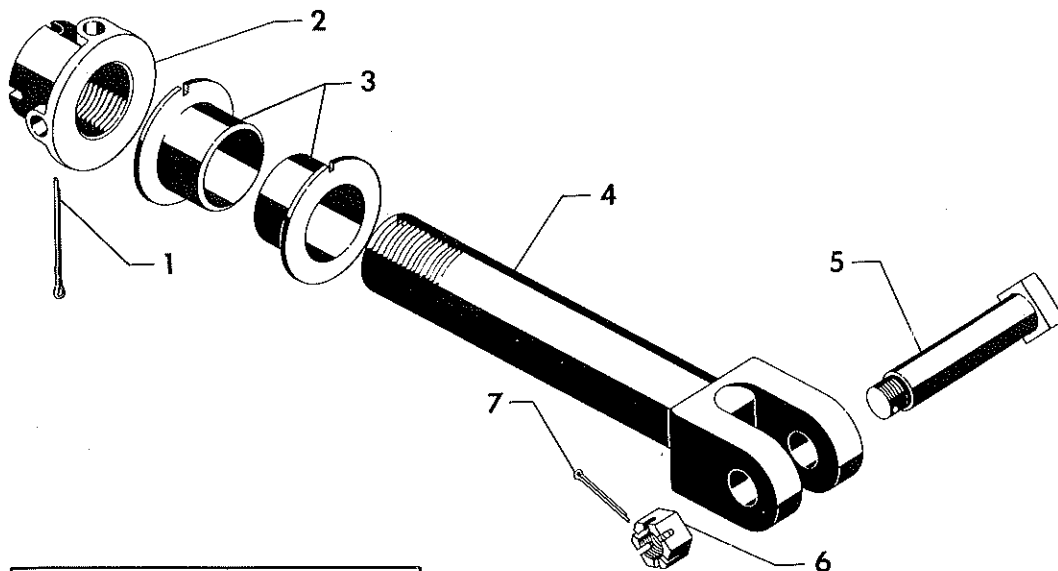


Figure 6

FREE WHEELING BRAKE DRUM ASSEMBLY COMPLETE, PART NO. X-1495

REF.	PART NO.	NAME	Quan. per Unit
1	G-11322	Free-Wheeling Brake Drum	1
2	218 WD	Fafnir Ball Bearing	2
3	G-11324	Brake Ratchet	1
4	G-11323	Brake Drum Cover	1
5	1/2 x 1 1/4 NF	Hex Head Capscrew (Heat Treated)	9
6	1/2	Lockwasher	9
7	Y-2549	Pawl Pin	4
8	X-1175-10	Pawl Spring	4
9	Y-3030	Brake Pawl	4

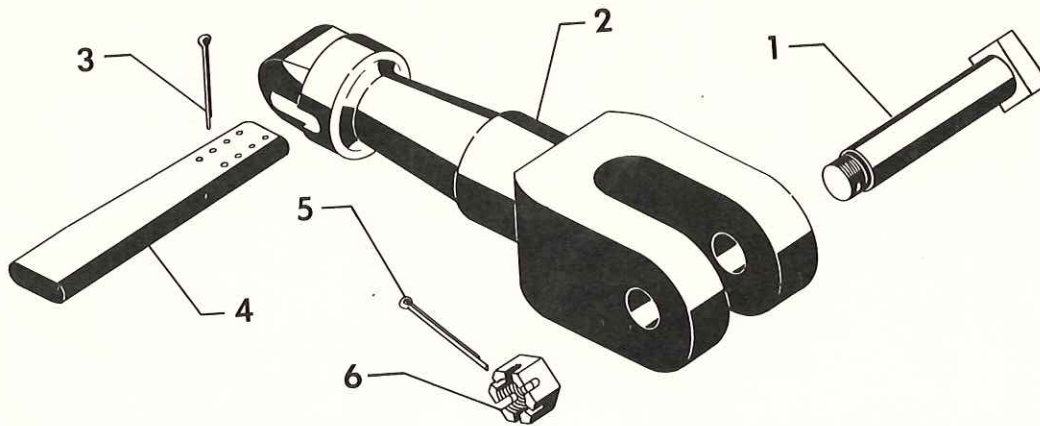


**NOTE:** Unless otherwise specified, the Carco Model J-10 Winch comes equipped with the swivel coupler.

**SWIVEL COUPLER ASSEMBLY COMPLETE, PART NO. Y-28800**

REF.	PART NO.	NAME	Quan. per Unit
1	½"x5"	Cotter Key	1
2	G-10518	Coupler Nut	1
3	G-10669	Coupler Bushing	2
4	X-1165	Coupler (jaw opening 3½")	1
5	Y-905-2	Coupler Bolt (8¾" overall)	1
6	Y-905-5	Coupler Bolt Nut	1
7	¾"x3"	Cotter Key	1

CARCO MODEL J-10 WINCH  
 PARTS LIST SECTION—PAGE 16  
 RIGID COUPLER



**NOTE:** Unless otherwise specified, the Carco Model J-10 Winch comes equipped with the swivel coupler.

**RIGID COUPLER ASSEMBLY COMPLETE, PART NO. Y-31832**

REF.	PART NO.	NAME	Quan. per Unit
1	Y-905-4	Coupler Bolt (9 $\frac{3}{8}$ " overall)	1
2	G-10668	Coupler (jaw opening 3 $\frac{1}{2}$ " )	1
3	$\frac{3}{8}$ "x1"	Cotter Key	1
4	G-7919	Coupler Key	1
5	$\frac{3}{8}$ "x3"	Cotter Key	1
6	Y-905-5	Coupler Bolt Nut	1